

● Feature 特性

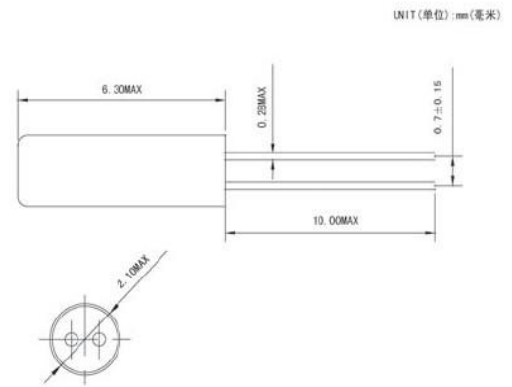
- ★AT206 插件晶振、晶体谐振器
- ★高精度、高频率稳定性、可靠性
- ★符合RoHS标准，绿色环保
- ★降低电磁干扰（EMI）影响
- ★优良的耐环境特性，可达工业级温度
- ★满足无铅焊接的回流温度曲线要求
- ★包装：压封袋装，1000pcs/包

● Electrical specifications 电气参数

型号	Holder Type	AT 2×6
频率范围	Frequency Toleranc (ΔF) at 25°C	6.5~32MHz (Fund)
温度频差	Frequency rift	±10ppm~±20ppm
工作温度范围	Operating Temperature Range	-20°C~+70°C to -40°C~+85°C
储存温度范围	Storage Temperature Range	-20°C~+60°C to -55°C~+125°C
老化	Aging 25°C	±3ppm/year Maximum
静电容	Shunt Capacitance (C0)	5pf Maxum
激励功率	Drive Level	100uw Max
绝缘阻抗	Insulaton Resistance	500Mohms at DC 100V
负载电容	Load Capacitance (CL)	Suggested by customer



● Mechanical Dimensions 外型尺寸

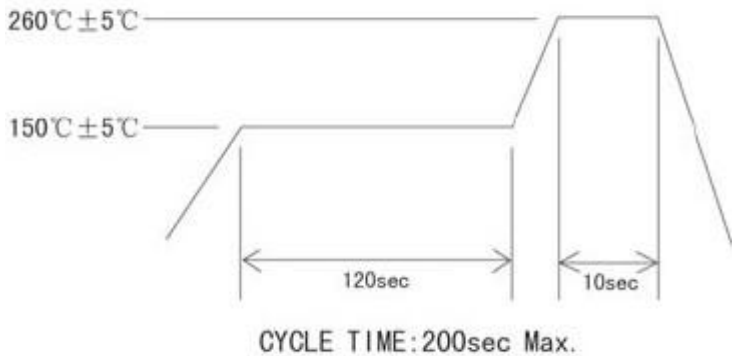


● Equivalent Series Resistance and Mode of Operation

等效电阻和振荡模式

Frequency Range 频率范围	ESR (ohm) 等效阻抗	Mode 振荡模式
8.000-10.000 MHz	120Max	Fundamental
10.000-15.000 MHz	80Max	Fundamental
15.000-20.000 MHz	60Max	Fundamental
20.000-27.000 MHz	50Max	Fundamental
27.000-30.000 MHz	40Max	Fundamental

● Reflow condition 回流焊条件



● Frequency VS. Temperature Curve

