



Features

- Size: 6.2 mm diameter, 4.2 mm length
- Surface mount device
- High voltage range
- Compact size
- High insulation resistance
- RoHS compliant*
- UL Recognized

Applications

- Telecommunications equipment
- Industrial equipment/electronics
- Consumer electronics

2093 Series High Voltage 2-Electrode Gas Tube

Characteristics

Test Methods per ITU-T K.12 and IEC 61643-311.

Characteristic	Model No.				
	2093-100	2093-120	2093-180	2093-200	2093-250
DC Sparkover ± 20 % @ 100 V/s	1000 V	1200 V	1800 V	2000 V	2500 V
Impulse Sparkover					
100V/μs	< 1500 V	< 1700 V	< 2500 V	< 2700 V	< 3100 V
1000V/μs	< 1600 V	< 1800 V	< 2600 V	< 2800 V	< 3200 V

Characteristic	Model No.	
	2093-270	2093-300
DC Sparkover ± 20 % @ 100 V/s	2700 V	3000 V
Impulse Sparkover		
100V/μs	< 3300 V	< 3600 V
1000V/μs	< 3400 V	< 3700 V

Insulation Resistance (IR) ¹	500/1000 Vdc.....	> 1 GΩ
Glow Voltage	10 mA.....	~ 60 V
Arc Voltage	1 A.....	~ 15 V
Glow-Arc Transition Current		< 1 A
Capacitance.....	1 MHz	< 0.8 pF
Impulse Discharge Current.....	5000 A, 8/20 μs.....	1 operation
	3000 A, 8/20 μs.....	10 operations
Alternating Discharge Current	3 Arms, 50 Hz, 1 sec.....	1 operation
	10 Arms, 50 Hz, 9 cycles	1 operation
Impulse Life	100 A, 10/1000 μs.....	> 300 operations
Operating Temperature.....		-30 to +85 °C
Storage Temperature		-40 to +115 °C
Climatic Category (IEC 60068-1).....		40 / 90 / 21

Notes:

¹ Insulation Resistance measured at 1000 V for GDTs with > 2000 V DCBD.

- UL Recognized component: UL1449, C-UL 3rd edition, UL file E135337.
- At delivery AQL 0.65 Level II, DIN ISO 2859.

贴片气体放电管 (GDT) 6.2*4.2

规格：

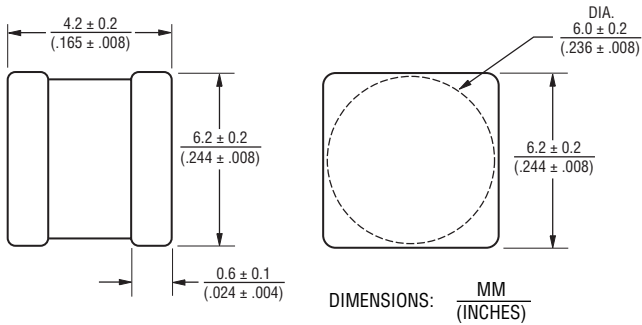
1000V 1200V 1800V

2000V 2500V 2700V

3000V

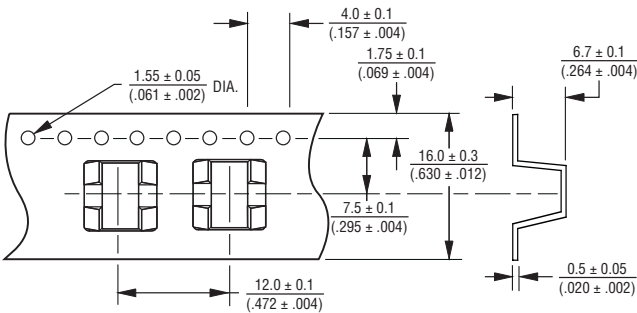
2093 Series High Voltage 2-Electrode Gas Discharge Tube 6*6*4.2

Product Dimensions

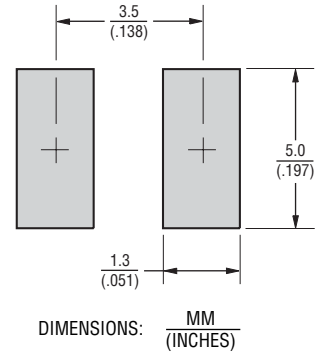


Packaging Specifications

The Model 2093-xx-SM ships standard reelpack (-RP), 800 pieces per reel, 2,400 pieces per box. Reel is 330 mm in diameter and 16 mm wide.



Recommended Pad Layout



How to Order

