

OSC3225-33.8688MHZ

■ Features

- Tight frequency tolerance.
- CMOS compatible logic levels.
- Pin-compatible with standard 3.2*2.5*1.2mm. packages
- Low power standby mode.
- Designed for standard reflow and washing techniques.
- Available on tape & reel, 1000pcs per reel.
- Pb-free and RoHS/Green compliant.



■ APPLICATIONS

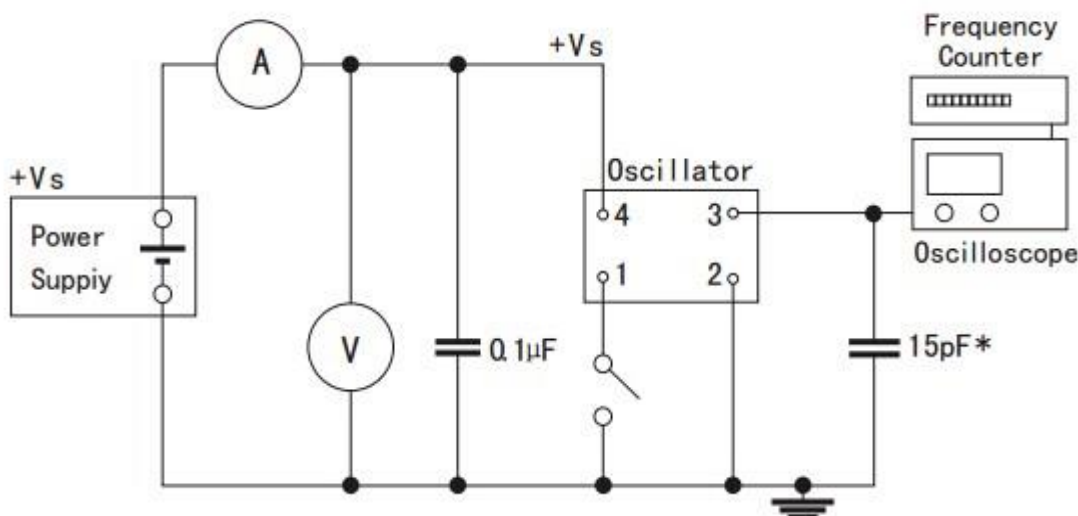
- Ideally suited designed for use in Ethernet, network adapter cards, hard disk devices, blue tooth PCMCIA Cards, Palmtop Computer, Portable Applications.

■ Specifications 电气参数

| 项目 Item | 技术 Specifications |
|--------------------------------|--|
| 频率范围 Freq. Range | 33.8688MHZ |
| 总频差 Frequency Stability | $\pm 20\text{ppm TO } \pm 50\text{ppm}$ |
| 工作温度 Operating Temp | $-10^{\circ}\text{C to } 60^{\circ}\text{C} / -40^{\circ}\text{C to } 85^{\circ}\text{C}$ |
| 储存温度 Storage Temp | $-40^{\circ}\text{C to } 85^{\circ}\text{C} / -55^{\circ}\text{C to } 125^{\circ}\text{C}$ |
| 输入电压 Supply Voltage | +5Vdc or 3.3V $\pm 10\%$ ※(see Notes) |
| 占空比 Symmetry | 40/60 Standard |
| 输出 Output Load | 10 TTL or 15PF HCMOS |
| 消耗电流 | Current Consumption 15pf only) (5.0V) |
| | 1.000mhz-49.999mhz =25mA max |
| | 50.000mhz-125.000mhz =80mA max |
| | Current Consumption 15pf only) (1.8V 2.5V 2.85V 3.3V) |
| 1.000mhz-49.999mhz =20mA max | |
| 50.000mhz-125.000mhz =60mA max | |
| 上升/下降时间 Rise/Fall Time | 5nS max |

※Notes: The supply voltage 1.8V, 2.5V, 2.85V also can be made by customer.

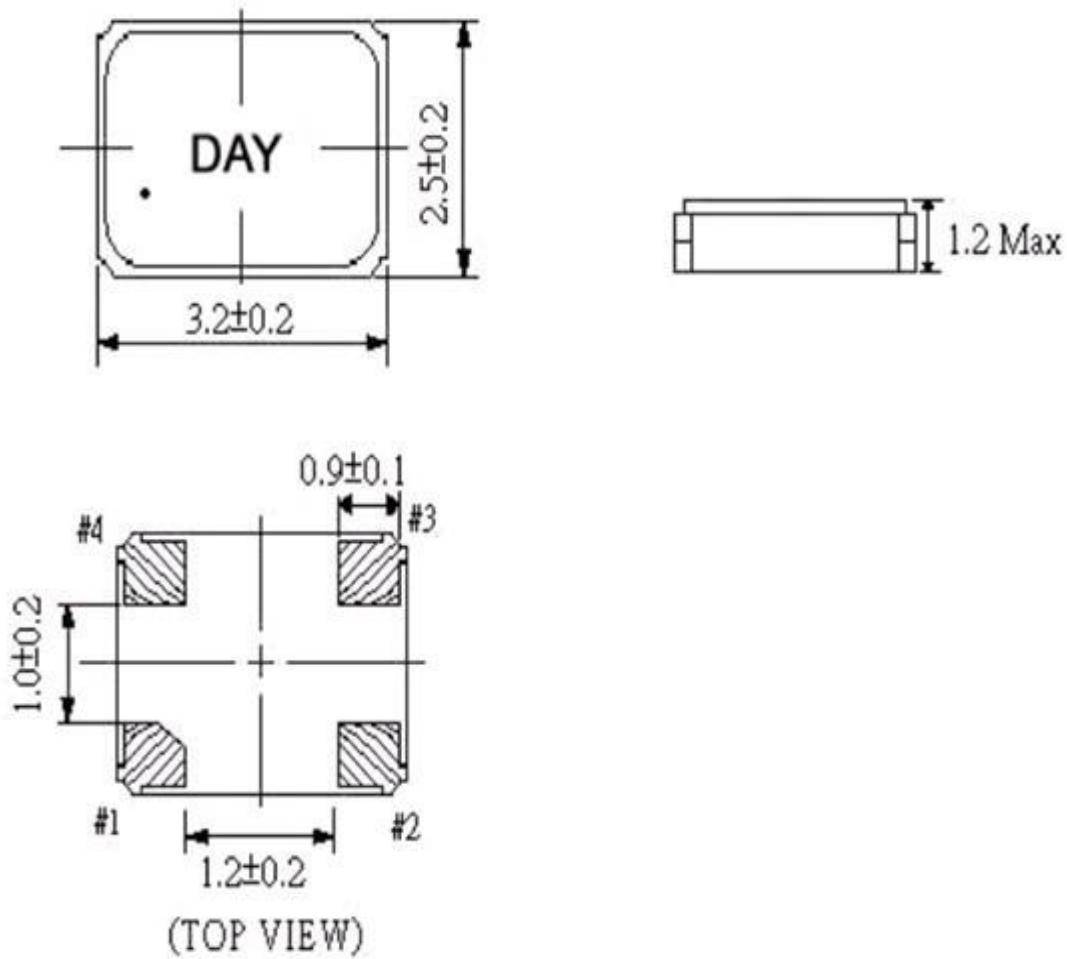
■ Test Circuit 测试电路图



Tri-state: PIN 1 connected to Vdd or floating, the product is working properly; connected to GND, stops working



Dimensions 尺寸封装图



输出波形图

