

承 認 書

Specification for approval

客戶名稱：

Customer _____

產品名稱：

Description: DMR-9P 母头 半金 叉锁螺丝 黑胶芯

客戶料號：

Customer part no: C141882

燦科盟產品編號：

CKM P/N: DMR009PF002XH00

承認書編號：

Approval sheet NO.: SA150431721

承認日期：

Approval date: 2017-11-17

| | | | |
|------------------------------|-----------------|-----------------|----------------------------------|
| 客戶確認 CUSTOMER APPROVED | 核 准 APPROVED | 審 核 ENGINEER | 經 辦 CHECK 刘力 2017/11/17 |
|------------------------------|-----------------|-----------------|----------------------------------|

敬請蓋印承認規格之後，將一份交回給本公司，謝謝!

Please return 1sets of this form to confirm your approval of the product specification thank you!

深圳市燦科盟實業有限公司

工廠地址：深圳市光明樓村鲤鱼水工业區鑫博盛科技园 B 栋四樓

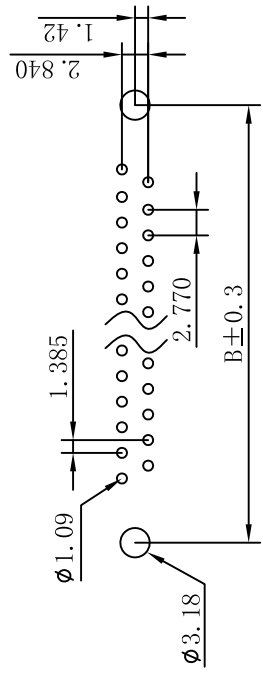
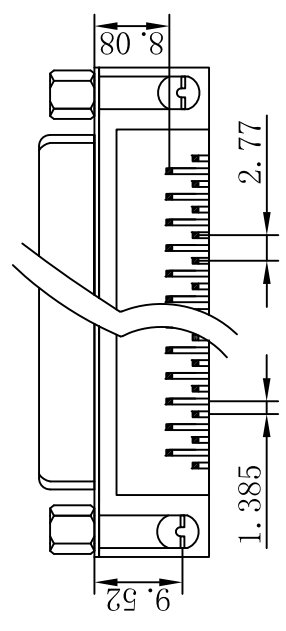
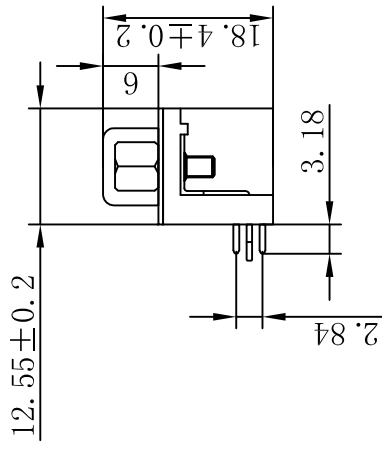
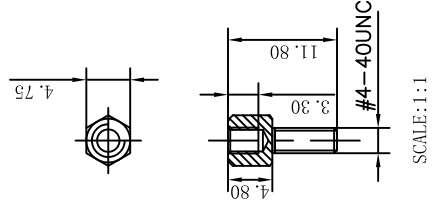
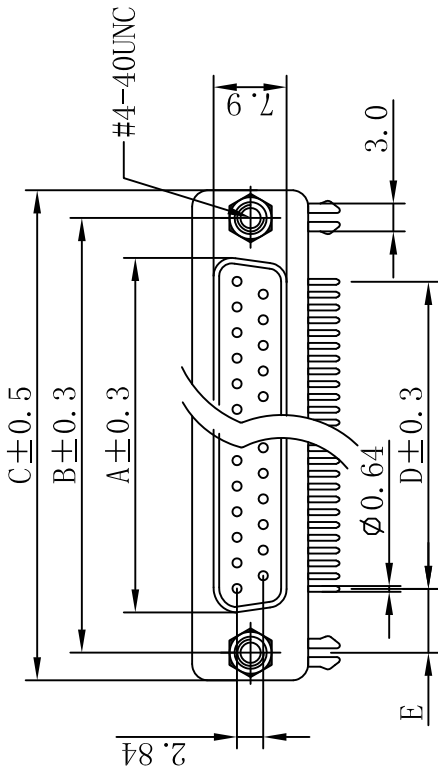
聯繫電話：0755-81488157 28154692 13316859588

傳 真：0755-83425987

Http://www.Ckmtw.com.cn

E-mail:2000@ckmtw.com.cn

業務負責人：_____



P. C. B LAYOUT

MATERIAL & FINISHES
 INSULATOR - PBT GLASS FILLED UL94V-0
 CONTACT- BRASS OR PHOSPHOR BRONZE
 SHELL - STEEL
 PLATING-PLATING - SELECTIVE GOLD OVER NICKEL PLATED
 *CONTACT AREA TIN/LEAD OVER NICKEL PLATED (TAIL AREA)

ELECTRICAL CHARACTERISTICS
 RATING CURRENT : 3A
 CONTACT RESISTANCE : <15mW
 INSULATION RESISTANCE : <3000MW AC 500V
 DIELECTRIC VOLTAGE : 1000V /MIN
 OPERATING TEMPERATURE : -50°C TO+105°C

Soldering time: 5±1sec,
 solder temperature: 220±5°C

| Poles | Part No. | Dim A | Dim B | Dim C | Dim D | Dim E |
|-------|----------|-------|-------|-------|-------|-------|
| 9 | DMR-9S | 16.33 | 24.99 | 30.81 | 11.08 | 6.955 |
| 15 | DMR-15S | 24.66 | 33.32 | 39.14 | 19.39 | 6.965 |
| 25 | DMR-25S | 38.38 | 47.04 | 53.04 | 33.24 | 6.90 |
| 37 | DMR-37S | 54.84 | 63.50 | 69.32 | 49.86 | 6.82 |

| | | |
|-----------|------------|---|
| APPROVED: | DATE: | Ckmtw 深圳市灿科盟实业有限公司 CHANKLEMENT INDUSTRYCO., LTD |
| CHECKED: | DATE: | |
| DRAWN: | DATE: | TITLE: DMR-XS 母头 半金 叉锁螺丝 |
| LYF | 2008-04-07 | CLIENT P/N / |
| | | UNIT mm SCALE free |
| | | FILE NO. Ckmtw-DMR-0001 REV. A |

| TOLERANCE TABLE | |
|-----------------|-------|
| .0 | ±0.30 |
| .00 | ±0.15 |
| .000 | ±0.05 |

深圳市灿科盟实业有限公司

DMR SERIES

内容：此规格书包含 DMR 接插件系列。

Scope: This specification covers the DMR spacing Connector series.

| Index: | Page |
|--|------|
| 1. 产品名称及料号/Product name and part number | 2 |
| 2. 额定电压电流/Ratings | 2 |
| 3. 特性测试/Performance | |
| 3-1.电气特性/Electrical performance | 2 |
| 3-1-1.接触阻抗/Contact resistance | 2 |
| 3-1-2.绝缘阻抗/Insulation resistance | 2 |
| 3-1-3.高压测试/Dielectric strength | 2 |
| 3-2.机械特性/Mechanical performance | |
| 3-2-1.整组插拔测试/Insertion force and withdrawal force | 2 |
| 3-2-2.插入力/Insertion force | 2 |
| 3-2-3.拔入力/withdrawal force | 2 |
| 3-3.环境特性测试/Environmental performance and others | |
| 3-3-1.整组插拔测试后接触阻抗/Repeated insertion/withdrawal | 3 |
| 3-3-2.温升测试/Temperature rise | 3 |
| 3-3-3.震动测试/Vibration | 3 |
| 3-3-4.冲击测试/Shock | 3 |
| 3-3-5.耐热测试/Heat resistance | 3 |
| 3-3-6.低温测试/Cold resistance | 3 |
| 3-3-7.恒温恒湿/Humidity | 3 |
| 3-3-8.温度冲击测试/Temperature cycling | 3 |
| 3-3-9.盐水喷雾测试/Salt spray | 3 |
| 3-3-10.沾锡性测试/Solderability | 4 |
| 3-3-11.焊热性测试/Resistance to soldering heat | 4 |
| 3-3-12.寿命测试/Life Test | 4 |
| 4. 产品规格尺寸及材质/Product shape, dimensions and materials | 4 |

Note::以上测试视公司之测试条件/能力而定。

| | | | | |
|----------|----------|----------|-------|---------|
| FILE NO | ENS014 | APPROVAL | CHECK | DRAWING |
| ECR/N NO | New spec | | | |

1. 产品名称及料号/Product name and part number

| | |
|--------------|------------------------------|
| Product Name | Part Number |
| Name 名称 | DMR-XP MALE DMR-XP FEMAEL |

2. 额定电压电流及使用线径/Ratings and applicable wires

| | |
|------------------------------|-----------------|
| ITEM | STANDARD |
| Rated Voltage(Max) 额定电压 (最高) | 250V DC/AC(rms) |
| Rated Current(Max) 额定电流 (最高) | 3A |
| Ambient Temperature 使用温度范围 | -50°C-+105°C |
| | |

3. 特性测试/Performance

3-1. 电气特性/Electrical performance

| ITEM | | Test condition | Requirement |
|-------|----------------------------|---|---|
| 3-1-1 | Contact Resistance 接触阻抗 | Mate connectors, reassure by dry circuit ,20mV MAX,10mv.(Based upon JIS C5402 5.4) 将公母对插, 二头接上微电流电压测试。 | 0.02 欧 (MAX) |
| 3-1-2 | Insulation resistance 绝缘阻抗 | Mate connectors, apply 500V DC between adjacent terminal or ground. (Based upon JIS C5402 5.2/MIL-STD-202 method 302 condition B) 将公母对插, 二头接上电压测试 | 1000 兆欧 (MIN) |
| 3-1-3 | Dielectric strength 高压测试 | Mate connectors, apply 500V AC for 1 minute between adjacent terminal or ground. (Based upon JIS C5402 5.1/MIL-ST-202 Method 301) 将公母对插, 相邻的二支端子接上高压测试 | No breakdown and flashover 没有损坏/没有电弧产生 |

3-2. 机械特性/Mechanical performance

| ITEM | | Test condition | Requirement |
|-------|---|--|-------------|
| 3-2-1 | Insertion force and withdrawal force 整组插拔测试 | Insert and withdraw connectors at the speed rate of 25±3mm/minute 公母对插插拔 30 次, 机器行走速度 25±3mm/分钟。 | 1.5 N (MIN) |
| 3-2-1 | Insertion force 插入力 | Insert the crimped terminal into the connectors 将公头插入母座内, 测试插入值 | 25 N (MAX) |
| 3-2-4 | withdrawal force 拔入力 | Apply axial pull out force at the speed rate of 25±3mm/minute on the terminal assembled In the housing. 将公头从母座中拔出, 测试拔出值 | 10 N (MIN) |

3-3.环境特性测试/Environmental performance and others

| ITEM | | Test condition | Requirement | |
|--------|--------------------------------|---|----------------------------|---------------|
| 3-3-1 | Repeated insertion/ withdrawal | When mated up to 30 cycles repeatedly by the rate of 10 cycles per minute 三十次插拔后，测量接触阻抗 | Contact Resistance 接触阻抗 | 40mΩ MAX |
| 3-3-2. | Temperature Rise 温升 | Carrying rated current load(Based upon UL1977) 针对额定电流以作测试 | | 30℃ MAX |
| 3-3-3 | Vibration 震动测试 | Amplitude:1.52mm P.P –调幅 Sweep time:10-55-10Hz in 1 minute 频率 Duration:2 hours in each X.Y.Z axlals 震动时间 (based upon MIL-STD-202 method 201) | Appearance | No Damage |
| | | | Contact Resistance | 40mΩ MAX |
| | | | Discontinuity 不连续性 | 1u sec MAX |
| 3-3-4 | Shock 冲击测试 | 50g 3strokes in each X.Y.Z. axlals. (based upon JIS C0041) 50g 力量，XYZ 轴分别三次冲击。 | Appearance | No Damage |
| | | | Contact Resistance | 40mΩ MAX |
| | | | Discontinuity 不连续性 | 1u sec MAX |
| 3-3-5 | Heat Resistance 耐热测试 | 105±3℃, 96hours (based upon JIS C5402 7.8) 时间 96 小时，温度 85±3℃ | Appearance | No Damage |
| | | | Contact Resistance | 40mΩ MAX |
| 3-3-6 | Cold Resistance 低温测试 | -50±3℃, 96hours (based upon JIS C5402 7.9) 时间 96 小时，温度 -20±3℃ | Appearance | No Damage |
| | | | Contact Resistance | 40mΩ MAX |
| 3-3-7 | Humidity 恒温恒湿测试 | Temperature:40±2℃, Relative humidity:90~95%(RH) (Based upon MIL-STD-202 Method 103B conditions.B) 温度 40±2℃，湿度 90~95%，时间 96 小时。 | Appearance | No Damage |
| | | | Contact Resistance | 40mΩ MAX |
| | | | Dielectric strength | 没有损坏/没有电弧产生 |
| 3-3-8 | Temperature cycling 温度冲击测试 | 5 cycles: 1>.-50℃ 30 minutes. 2>.+105℃ 30 minutes. 3>.+25℃ 30 minutes. 4>.+65℃ 30 minutes | Appearance | No Damage |
| | | | Contact Resistance | 40mΩ MAX |
| 3-3-9 | Salt spray 盐水测试 | 12 hours exposure to a salt spray from the 5±1% solution at 35±2℃. (Based upon JIS C5402/MIL-STD-202method 101D conditions. B) 时间 12 小时，盐水体比例 5±1%，温度 35±2℃。 | Appearance | No Damage |
| | | | Contact Resistance | 40mΩ MAX |

| | | | |
|--------|---|--|------------------------|
| 3-3-10 | Solderability 沾锡性 测试 | Soldering time: 3 ± 0.5 sec, solder temperature: $230 \pm 5^{\circ}\text{C}$ 时间: 3 ± 0.5 秒, 温度: $230 \pm 5^{\circ}\text{C}$ | 95%以上沾锡面积 |
| 3-3-11 | Resistance to soldering heat 焊热性 测试 | Soldering time: 5 ± 1 sec, solder temperature: $220 \pm 5^{\circ}\text{C}$ 时间: 5 ± 1 秒, 温度: $220 \pm 5^{\circ}\text{C}$ | No Damage 外观没有影响 |
| 3-3-12 | Life Test 寿命测试 | 3000 cycles 3000 次 | No Damage 外观,功能没有影响 |

4. 产品规格尺寸及材质/Product shape, dimensions and materials

(见附件图纸)