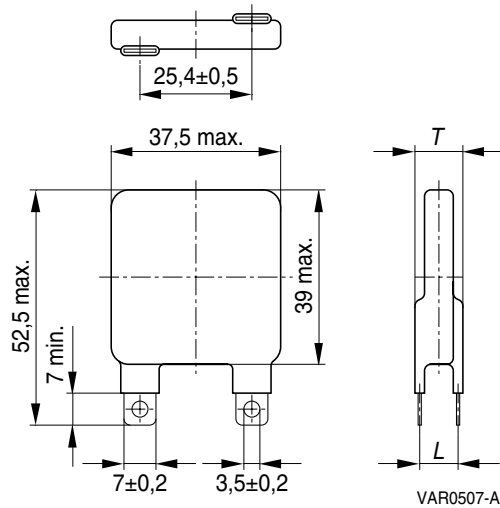


# Metal Oxide Varistors

## High Energy Series 34mm Single Square

PART NUMBER	Varistor Voltage V@1mA (v)	Maximum Allowable Voltage		Max Clamping Voltage (8/20 μ S)		Max. Energy (J)	Max Peak Current (8/20 μ S)		Typical Capacitance (Reference) 1kHz (pF)
		ACrms (v)	DC (v)	Vc (v)	Ip (A)		1 time (A)	2 time (A)	
LS40K130QP	200 (185-225)	130	170	340	300	310	40000	30000	5600
LS40K140QP	220 (198-242)	140	180	365	300	340	40000	30000	5200
LS40K150QP	240 (216-264)	150	200	395	300	360	40000	30000	4800
LS40K230QP	360 (324-396)	230	300	595	300	460	40000	30000	3200
LS40K250QP	390 (351-429)	250	320	650	300	490	40000	30000	2900
LS40K275QP	430 (387-473)	275	350	710	300	550	40000	30000	2700
LS40K320QP	510 (459-561)	320	420	840	300	640	40000	30000	2300
LS40K385QP	620 (558-682)	385	505	1025	300	800	40000	30000	1900
LS40K420QP	680 (612-748)	420	560	1120	300	910	40000	30000	1800
LS40K460QP	750 (675-825)	460	615	1240	300	960	40000	30000	1600
LS40K550QP	910 (819-1001)	550	745	1500	300	960	40000	30000	1400
LS40K680QP	1100 (990-1210)	680	895	1815	300	1100	40000	30000	1100
LS40K750QP	1200 (1080-1320)	750	970	2000	300	1200	40000	30000	1000

### Dimensions



Type SIOV-	T <sub>max</sub> mm	L ± 1,0 mm
LS40K130QPK2	8,1	4,4
LS40K140QPK2	8,2	4,5
LS40K150QPK2	8,3	4,6
LS40K230QPK2	9,0	5,4
LS40K250QPK2	9,2	5,6
LS40K275QPK2	9,4	5,8
LS40K320QPK2	9,9	6,3
LS40K385QPK2	10,6	6,9
LS40K420QPK2	10,9	7,3
LS40K440QPK2	11,1	7,6
LS40K460QPK2	11,4	7,8
LS40K550QPK2	12,3	8,8
LS40K680QPK2	13,5	9,9
LS40K750QPK2	14,1	10,5

LS40K ... QPK2