

Crystal oscillator

SMD LVPECL Output 3.2×2.5×0.8mm 3J Series



Approved by: 刘惠光

Checked by : 李相同

Issued by: 贺丹斌

SPECIFICATION

PN: SJK-3JF6250M3C0430F5

深圳市晶科鑫实业有限公司

SHENZHEN CRYSTAL TECHNOLOGY INDUSTRIAL CO., LTD.

Add: 12F, Bldg. 3C, TianAn Cloud Park Phase 1, Bantian, Longgang, Shenzhen, China

Tel: (86) 755 88352809 88352810

Fax: (86) 755 88353718 88352499

E-mail: sjk@q-crystal.com

[HTTP://www.q-crystal.com](http://www.q-crystal.com)

Page 1

Crystal oscillator

SMD LVPECL Output 3.2×2.5×0.8mm 3J Series



ELECTRICAL SPECIFICATIONS (电气参数)

Parameters	Condition\Model	3J
Fan Out Type		LVPECL
Supply Voltage		3.3V±10%
Frequency		156.250MHz
Operating Temperature		-40℃ to +85℃
Current consumption		100mA max
Frequency Stability		±30ppm
Output	voltage high	2.275V min
	voltage low	1.68V max
Rise/Fall Time	20%~80% output swing	1ns max
Standard output load		50Ω to VDD - 2V
Duty Cycle		50±10%
Storage Temperature		-55~+125℃
Start-upTime		5mSec max
Aging		±3ppm(1st year at 25℃)
Enable	voltage high (Logic 1)	2.31V Min Pin 1 Tri-state
	voltage low (Logic 0)	0.99V Max
RMS phase jitter(From 12k to 20MHz)		0.30 ps
Phase noise	@ 100Hz offset	-95dBc/Hz
	@ 1kHz offset	-125dBc/Hz
	@ 10kHz offset	-140dBc/Hz

Add: 12F, Bldg. 3C, TianAn Cloud Park Phase 1, Bantian, Longgang, Shenzhen, China

Tel: (86) 755 88352809

88352810

Fax: (86) 755 88353718

88352499

E-mail: sjk@q-crystal.com

[HTTP://www.q-crystal.com](http://www.q-crystal.com)

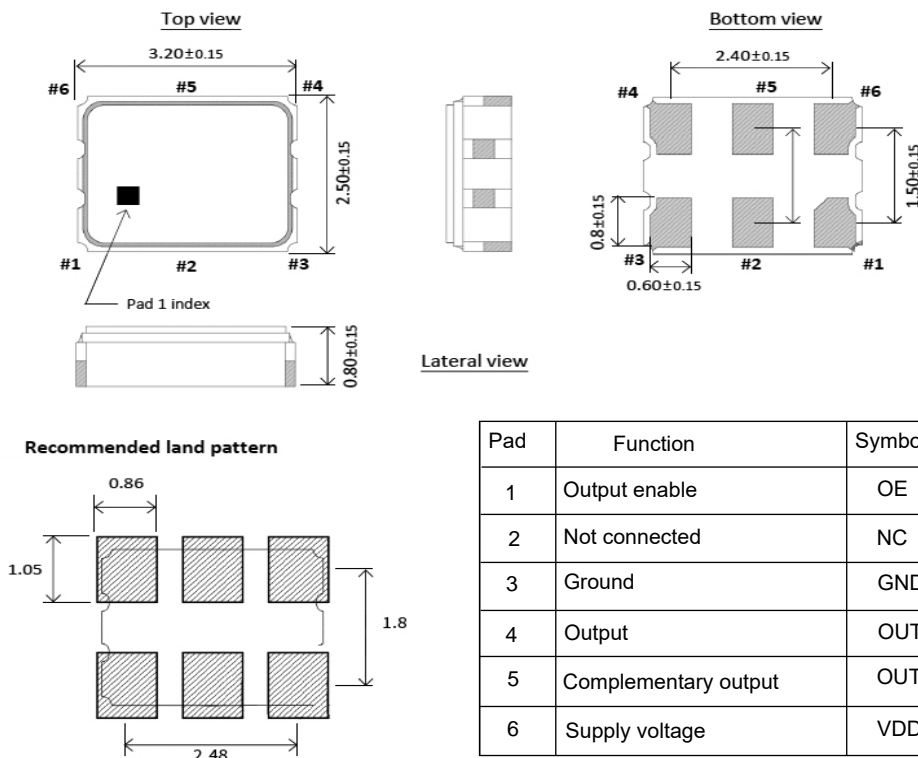
Page 2

Crystal oscillator

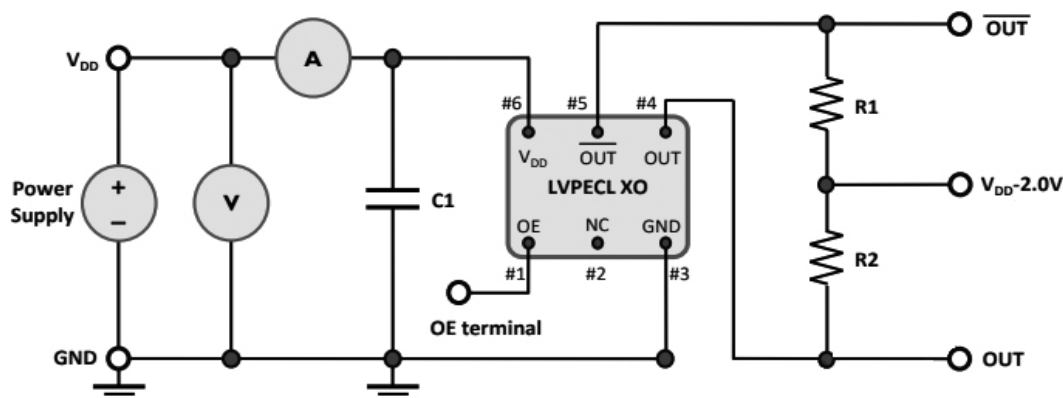
SMD LVPECL Output 3.2×2.5×0.8mm 3J Series



Dimension (尺寸) (Unit: mm)



MEASUREMENT CIRCUIT (电路)

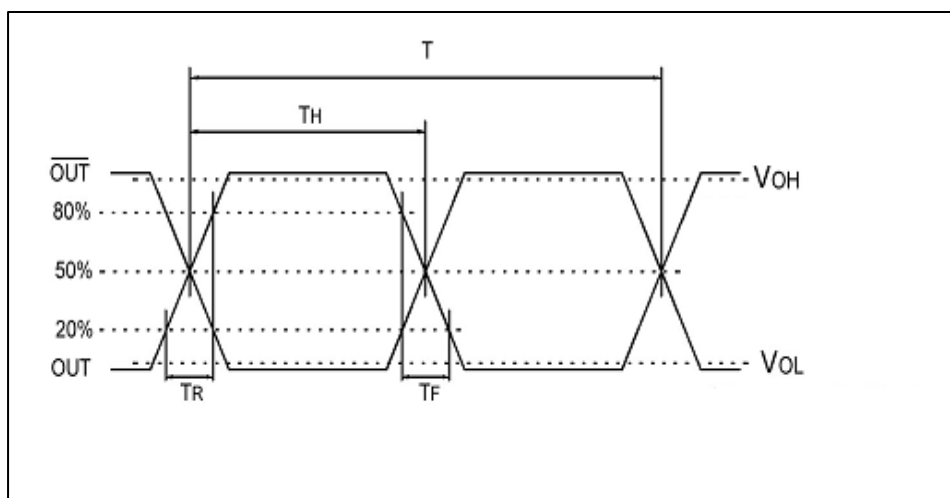


Crystal oscillator

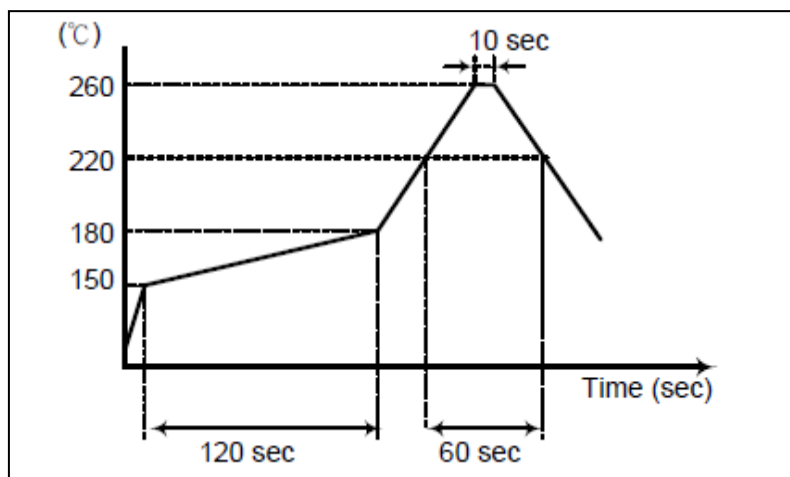
SMD LVPECL Output 3.2×2.5×0.8mm 3J Series



WAVEFORM CONDITIONS (波形)



REFLOW CONDITION (回流焊)



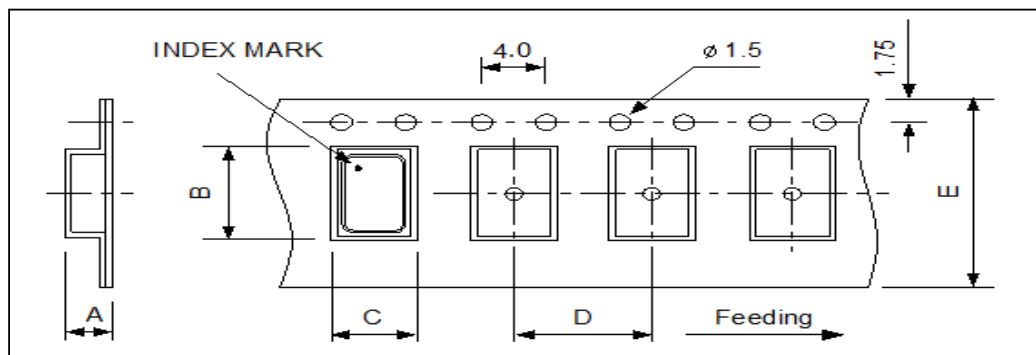
The reflow temperature profile may vary depending on the product model, specifications and frequency range. Refer to the individual product specifications for details

Crystal oscillator

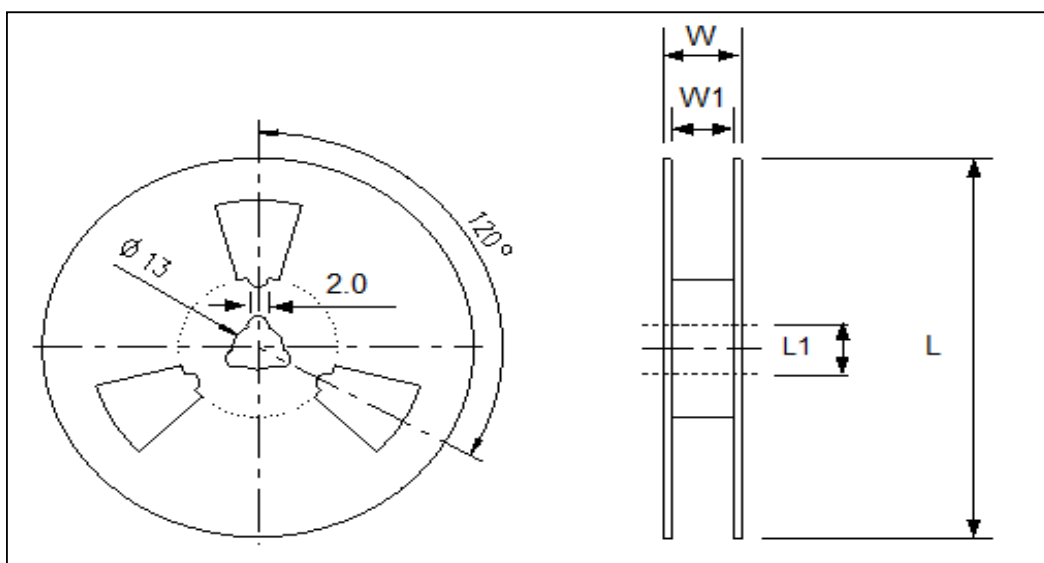
SMD LVPECL Output 3.2×2.5×0.8mm 3J Series



CARRIER TYPE (載帶)



REEL(卷盘)



DIMENSIONS		A	B	C	D	E	L	L1	W	W1	pcs / Reel
	7050	2.15	7.9	5.4	8	16	180	13	21.5	17.5	1K
	6035	1.4	6.4	3.9	8	12	180	13	15.4	13	1K
	5032	1.46	5.5	3.6	8	12	180	13	15.4	13	1K
	3225	1.4	3.4	2.7	4	8	180	13	11.5	8	3K
	2520	1.15	2.8	2.25	4	8	180	13	10.5	8	3K
	2016	0.95	2.25	2.25	4	8	180	13	10.5	9	3K
	1612	0.8	2.0	1.85	4	8	180	13	10.5	9	3K

Add: 12F, Bldg. 3C, TianAn Cloud Park Phase 1, Bantian, Longgang, Shenzhen, China

Tel: (86) 755 88352809 88352810

Fax: (86) 755 88353718 88352499

E-mail: sjk@q-crystal.com

HTTP://www.q-crystal.com

Page 5