

# 規格承認書

PECIFICATION FOR APPROVAL

客戶  
CUSTOMER : 立創  
項目  
ITEM : 电磁有源一体蜂鸣器 (内含驱动电路)  
型號  
TYPE : GMD1614YB-5V2400  
描述  
DESCRIPTION : D16 x H14 MM 2400Hz DC5V ≥85DB PPO 材质 P=7.6MM  
客戶料號  
CUSTOMER NO. :  
規格書號  
SPECIFICATION NO.:  
版本  
EDITION NO. : V1.1  
日期  
DATE :

## 客戶承認

### CUSTOMER CONFIRM AND SIGN

檢查 TESTED BY	審核 CHECKED BY	承認 APPROVED BY

## 東莞市贏海電子有限公司

### DONGUAN INGHAI ELECTRONICS CO.,LTD

製作 ISSUED BY	審查 CHECKED BY	確認 APPROVED BY
周明	李林	

地址：廣東省東莞市長安鎮厦边元灶头工业区 16-6 號

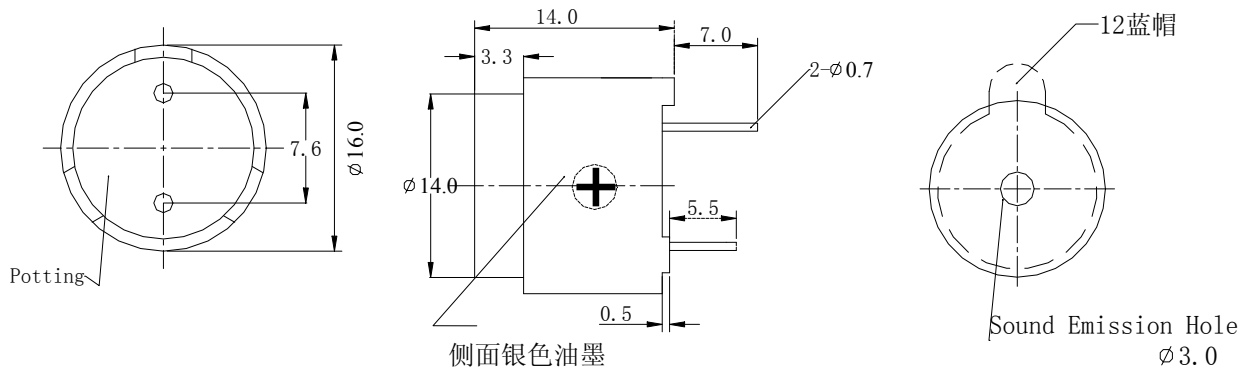
電話 / TEL: 0769-83060958 傳真 / FAX: 0769-81608993

網址: [HTTP://WWW.INGHA.COM](http://www.inghai.com)

# DONGGUAN INGHAI ELECTRONICS CO.,LTD

**Model NO:** GMD1614YB-5V2400

**A:DIMENSIONS:** Unit:mm Tolerance:  $\pm 0.5\text{mm}$



**Tolerance:  $+0.5\text{mm}$  Unit:mm**

## B:SPECIFICATIONS:

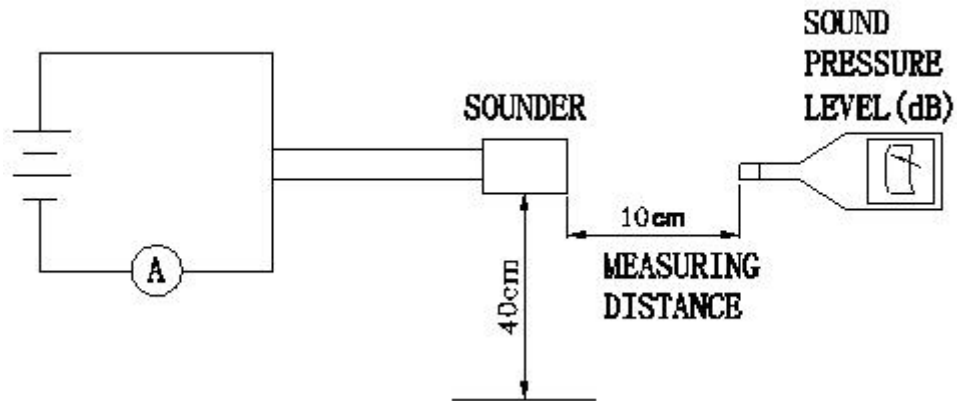
Model NO	GMD1614YB
Rated Voltage	5VDC
Operating Voltage	3.0~8.0VDC
Max.Rated Current	Max.35mA
Sound Pressure level(dB/min)at12DVC/10cm	Min 85dB
Resonant Frequency	$2400 \pm 300\text{Hz}$
Operating Temperature	$-20\text{ }^{\circ}\text{C} \sim +70\text{ }^{\circ}\text{C}$
Storage Temperature	$-30\text{ }^{\circ}\text{C} \sim +80\text{ }^{\circ}\text{C}$
Case material and color	PBT / Black

### Measuring condition

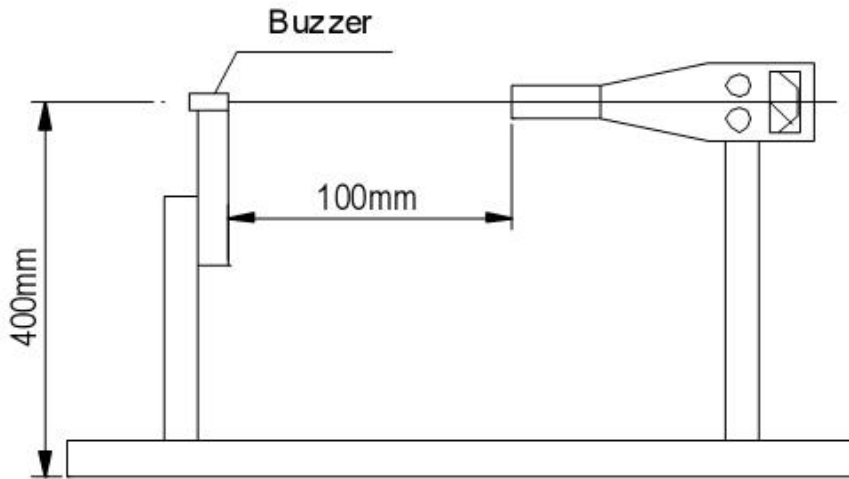
Part shall be measured under a condition (Temperature:  $5 \sim 35\text{ }^{\circ}\text{C}$ , Humidity:  $45\% \sim 85\%\text{R.H.}$ , Atmospheric pressure:  $860 \sim 1060\text{hPa}$ ) unless the standard condition (Temperature:  $25 \pm 3\text{ }^{\circ}\text{C}$ , Humidity:  $60 \pm 10\%\text{R.H.}$ , Atmospheric pressure:  $860 \sim 1060\text{hPa}$ ) is regulated to measure.

### C:Acoustic Characteristics:

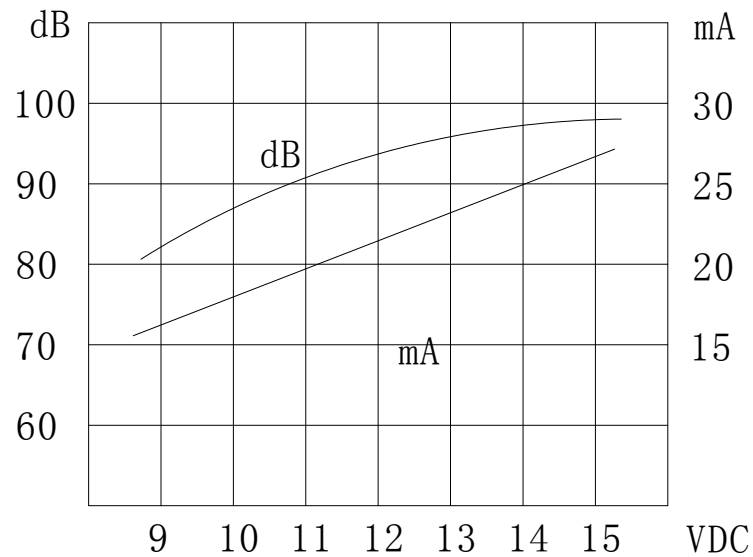
The oscillation frequency, current consumption and sound pressure are measured by the measuring instruments shown below



In the measuring test, buzzer is placed as follows:



### D:Typical Frequency Response Curve:



## E:Reliability Test

After any following tests the part shall meet specifications without any degradation in appearance and performance except SPL. SPL shall not deviate more than -10 dB from the initial value

### 1. Ordinary Temperature Life Test

The part shall be subjected to 96 hours at  $25 \pm 10^{\circ}\text{C}$ . Input rated voltage Resonant frequency, 1/2 duty Square wave.

### 2. High Temperature Test

The part shall be capable of with standing a storage temperature of  $+80^{\circ}\text{C}$  for 96 hours.

### 3. Low Temperature Test

The part shall be capable of with standing a storage temperature of  $-30^{\circ}\text{C}$  for 96 hours.

### 4. Humidity Test

Temperature: $+40^{\circ}\text{C} \pm 3^{\circ}\text{C}$  Relative Humidity:90%~95% Duration: 48 hours and expose to room temperature for 6 hours

### 5. Temperature Shock Test

Temperature: $70^{\circ}\text{C}$  /1hour→  $25^{\circ}\text{C}$ /3hours→ $-30^{\circ}\text{C}$ /1hour→  $25^{\circ}\text{C}$ /3hours (1cycle)  
Total cycle: 10 cycles

### 6. Drop Test

Standard Packaging From 120mm(Drop on hard wood or board of 5cm thick, three sides, six plain.)

### 7. Vibration Test

Vibration:1000cycles /min. Amplitude:1.5mm, Duration: 1 hour in each 3 axes

### Note:

As this product is not protected from foreign material entering, please make sure that any foreign materials (e.g. magnetic powder, washing solvent, flux, corrosive gas) do not enter this product in your production processes. The functional degradation (e.g. SPL down) may occur if foreign material enter it.