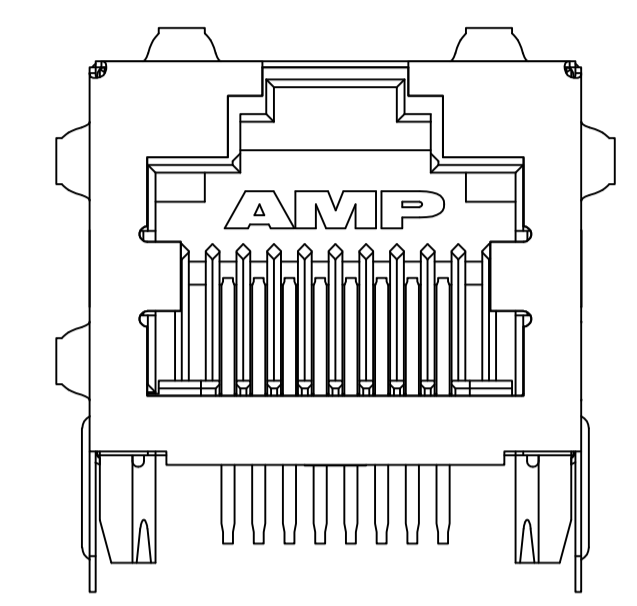
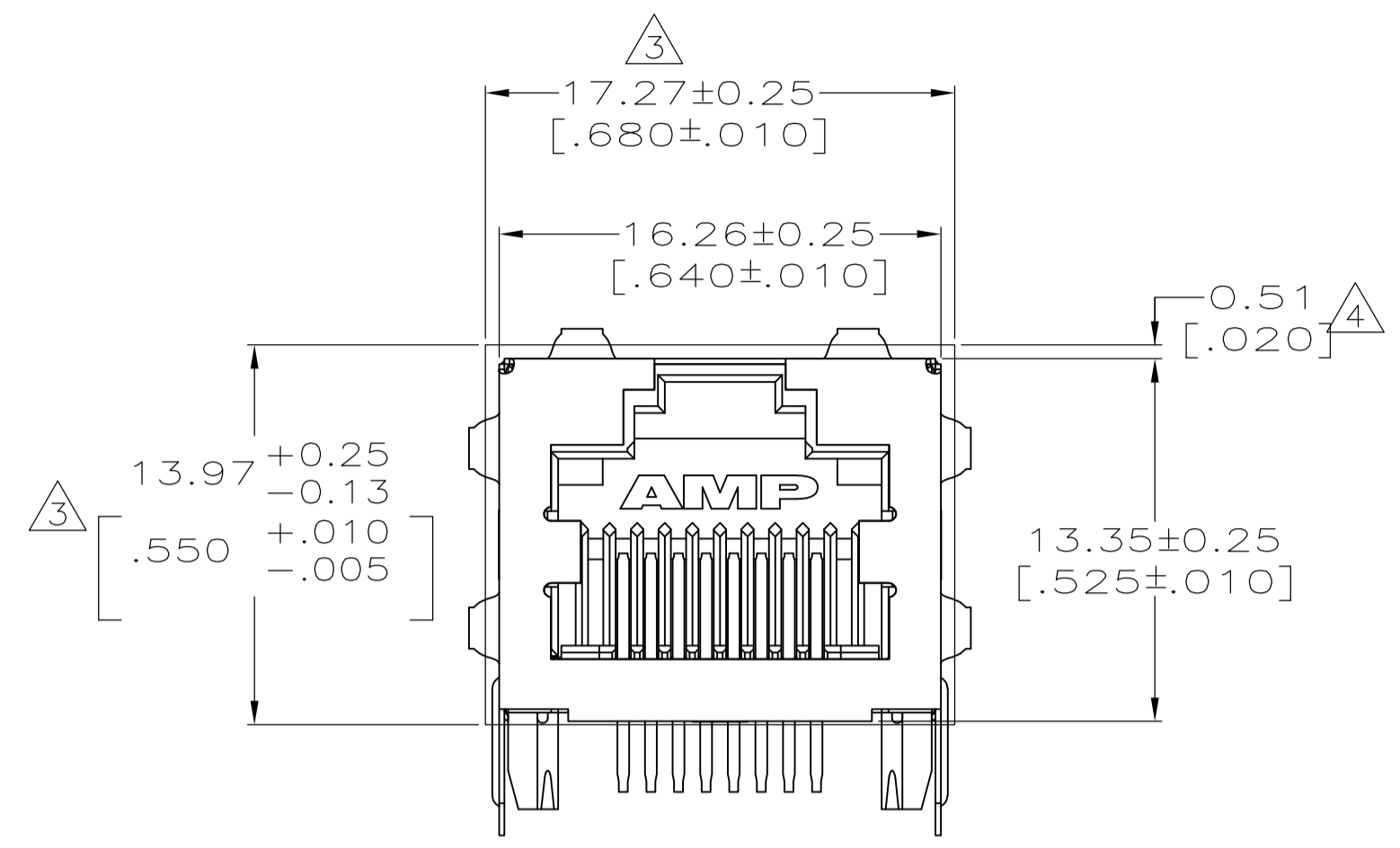
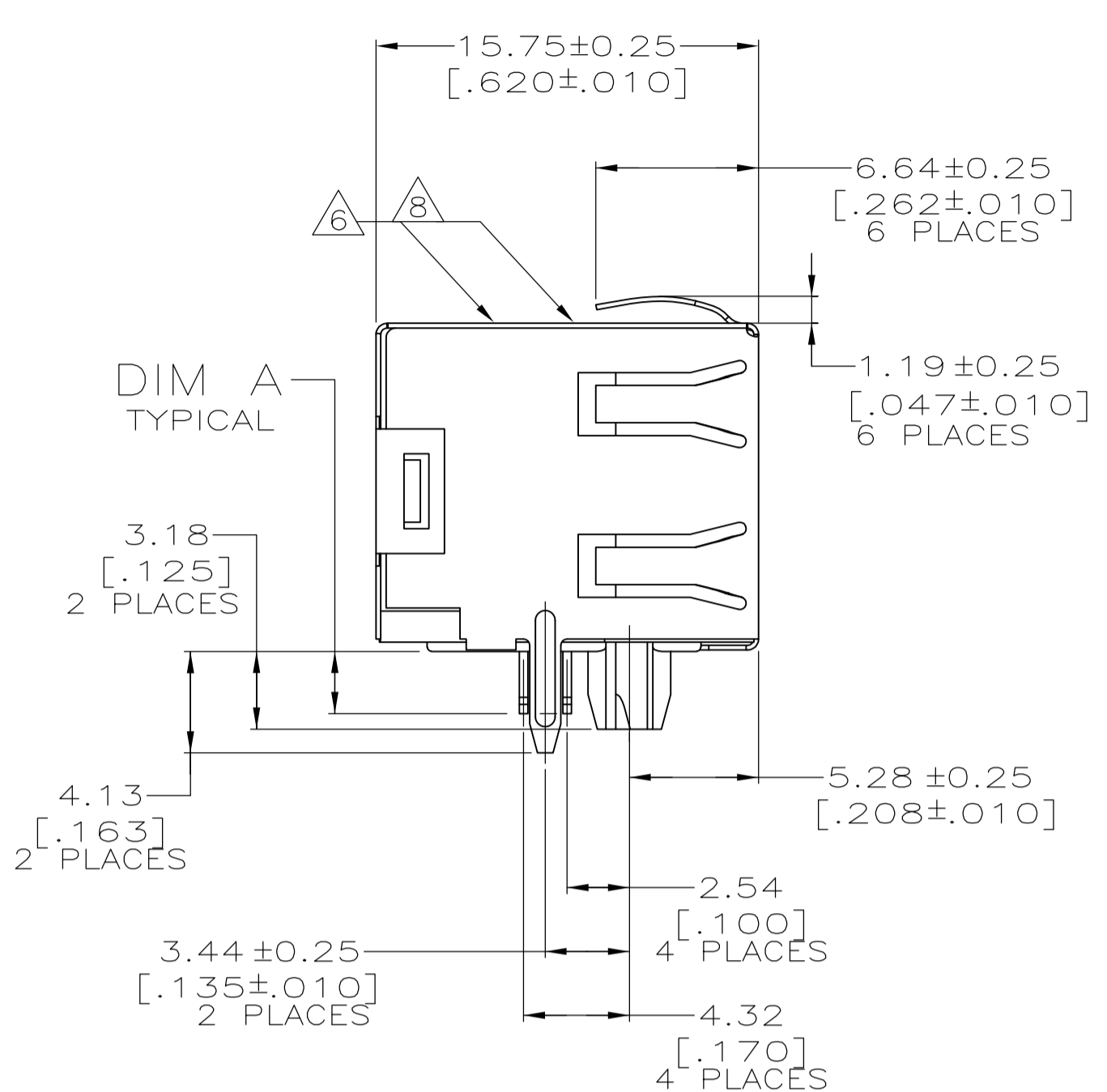
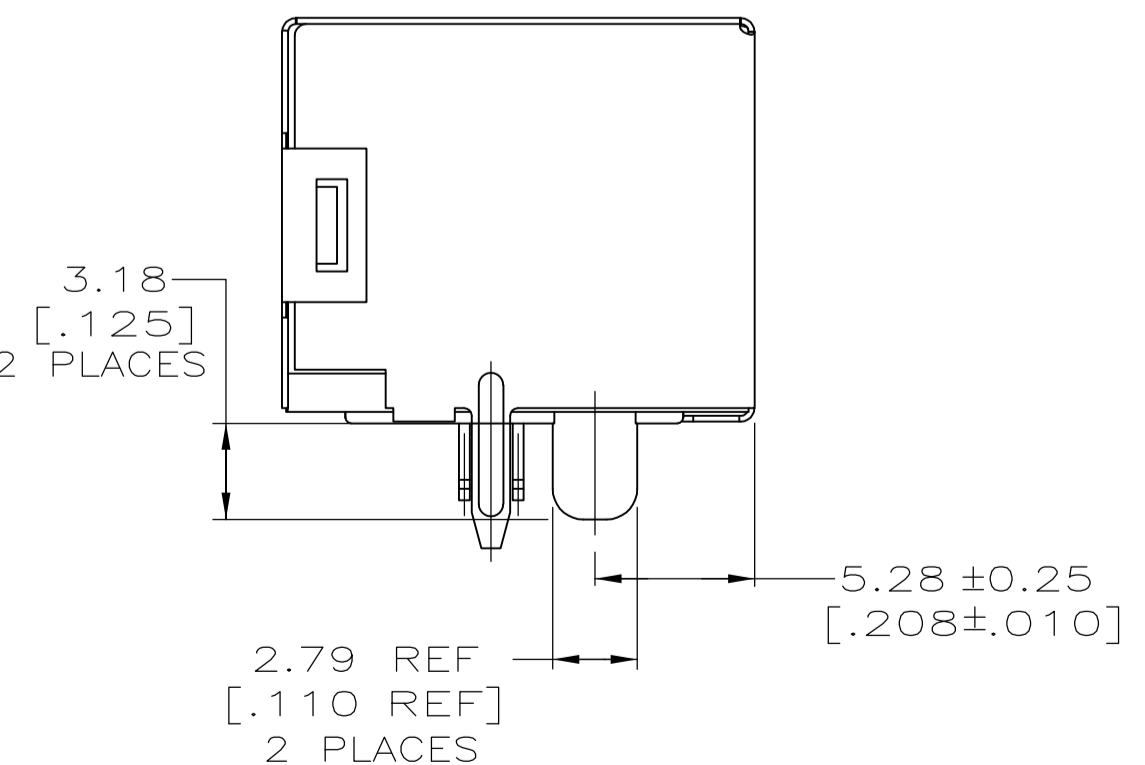
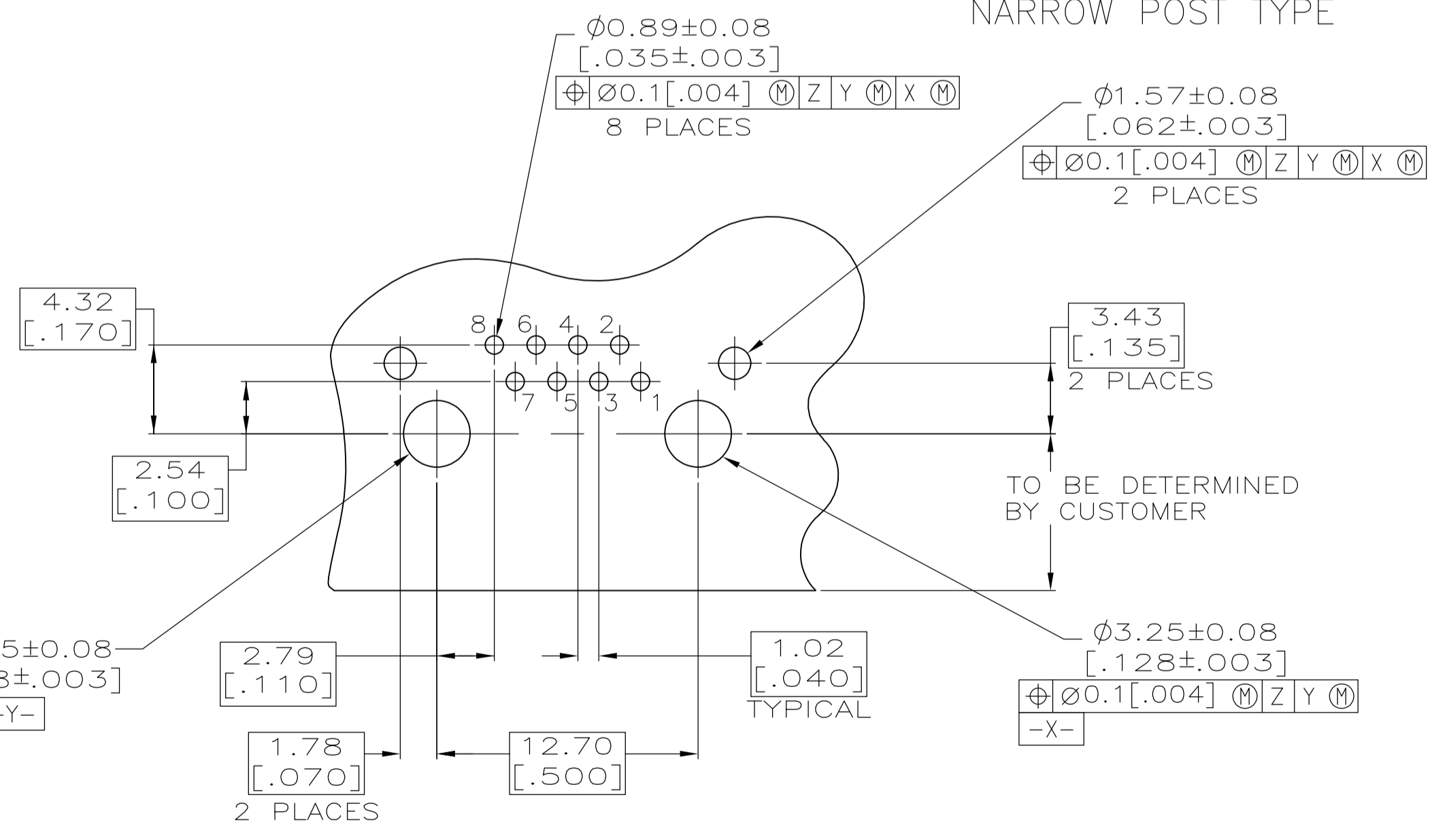
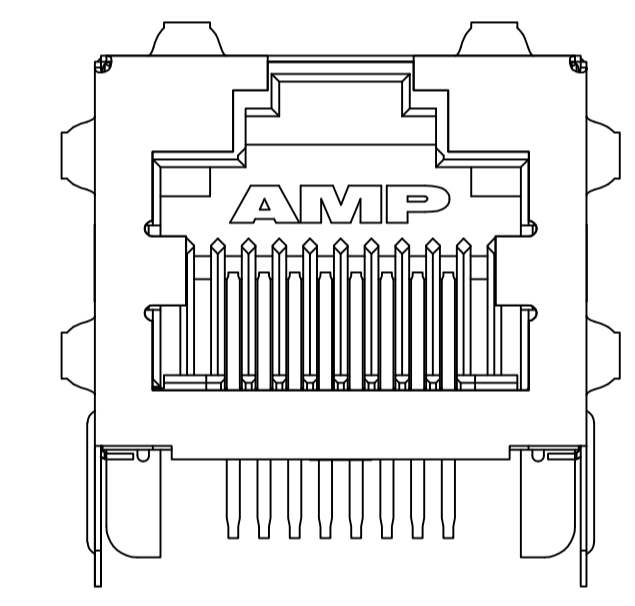
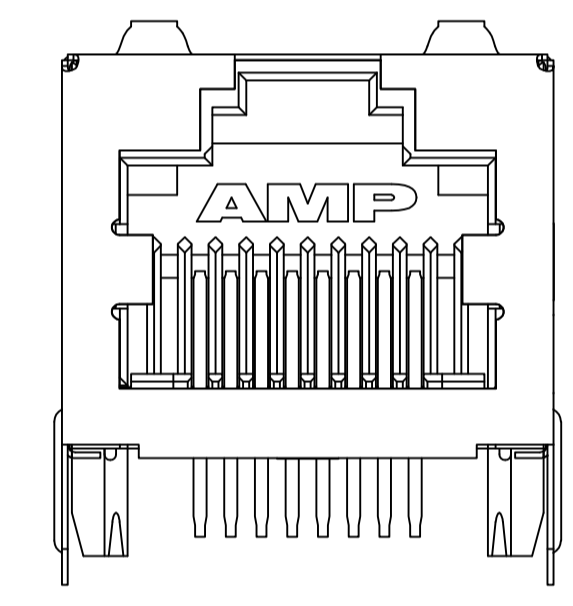
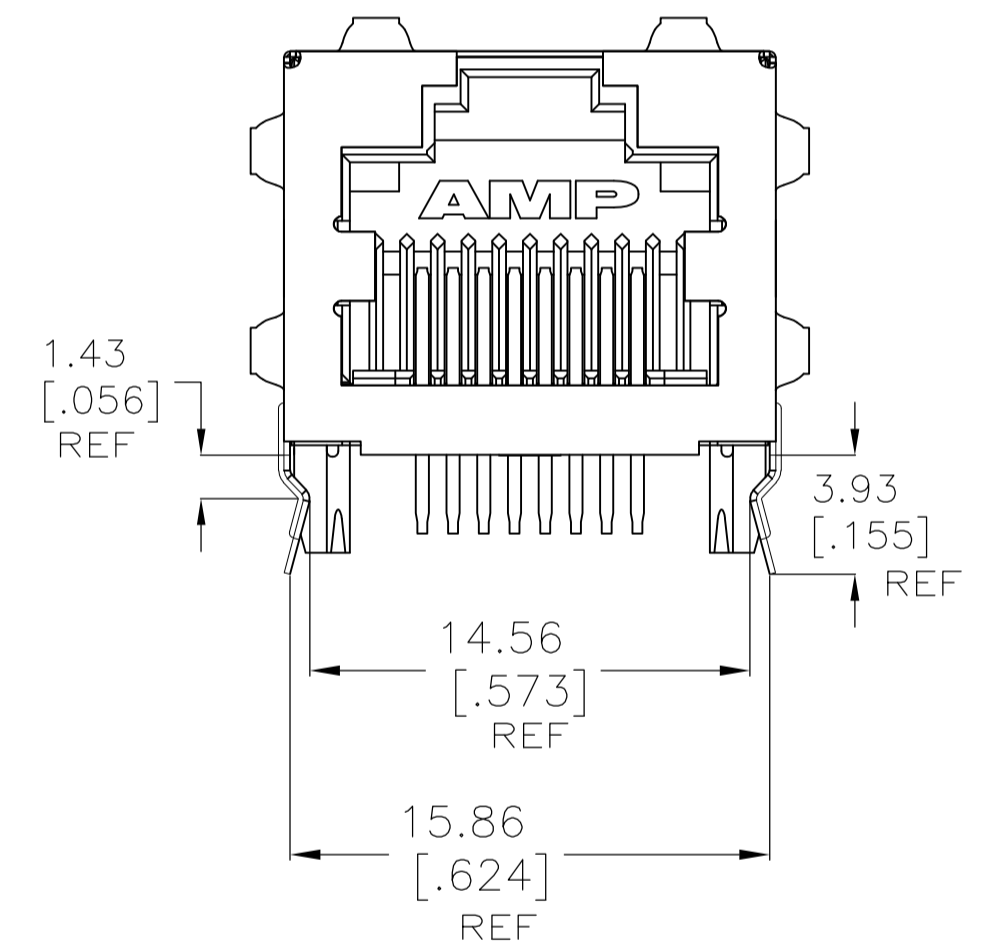
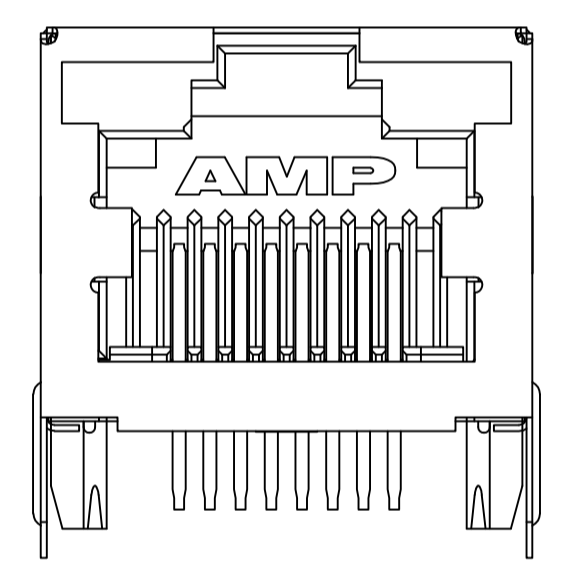
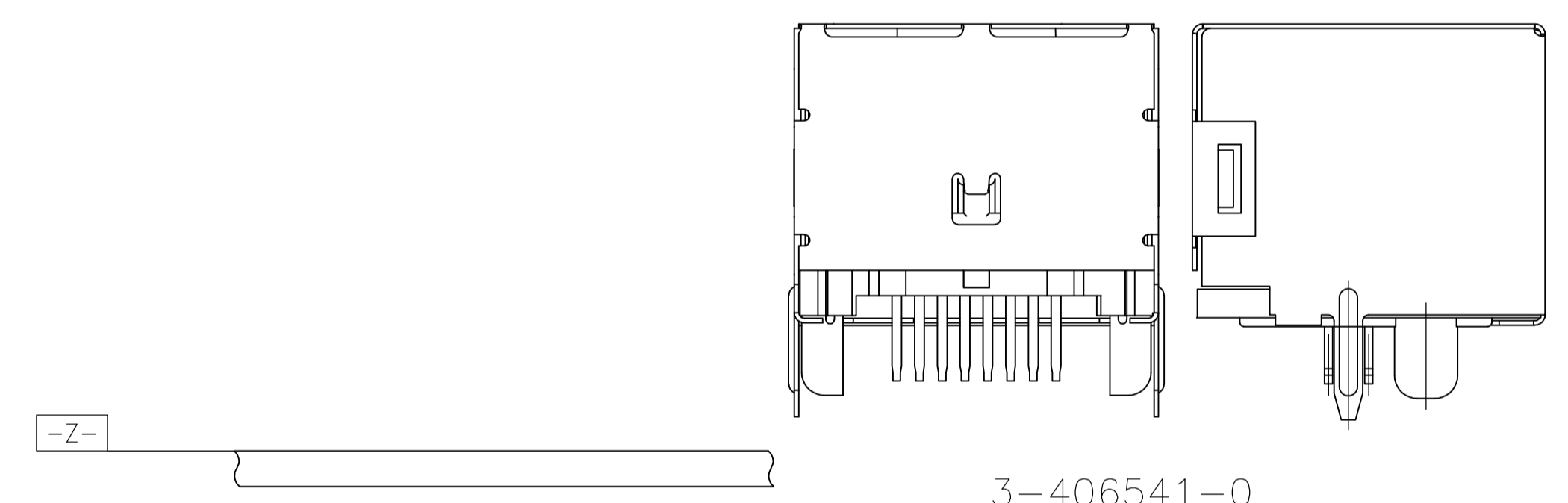


REVISIONS				
P	LTR	DESCRIPTION	DATE	OWN
R	PER	ECO-17-005949	21APR2017	AD SH



406541-1, -3, & -6
1-406541-1, 1-3, 1-6 & 1-9&2--6

- REFLOW SOLDERING PROCESS COMPATIBLE
- MATERIAL:
HOUSING - HIGH TEMPERATURE THERMOPLASTIC, COLOR: BLACK, UL94V-0
TERMINALS - 0.36[.014] THICK PHOS BRONZE PLATED WITH 3.81µm[.000150] MINIMUM THICK (SEE P/N TABLE) IN SOLDER AREA. 1.27µm[.000050] MINIMUM GOLD IN LOCALIZED PLATE AREA. ENTIRE TERMINAL PLATED WITH 1.27µm[.000050] MINIMUM THICK NICKEL.
SHIELD - 0.196[.0077] THICK COPPER ZINC ALLOY PREPLATED WITH 1.27µm[.000050] MINIMUM SATIN NICKEL WITH 2.03µm[.000080] MINIMUM TIN POST DIPPED ON PCB GROUND TABS.
2. JACK CAVITY CONFORMS TO FCC RULES AND REGULATIONS PART 68, SUBPART F.
3. SUGGESTED PANEL OPENING DIMENSIONS.
4. SUGGESTED CLEARANCE BETWEEN TOP OF CONNECTOR AND TOP PANEL OPENING.
5. ON 406541-4 & 1-406541-4 LOWER RIGHT HAND PANEL GROUND TAB IS NOT PRESENT.
6. MANUFACTURING DATE CODE: LOCATED APPROX. AS SHOWN.
FIRST 2 DIGITS = LAST 2 DIGITS OF YEAR.
NEXT 2 DIGITS = MANUFACTURING WORK WEEK,
LAST DIGIT = DAY OF WEEK WITH SUNDAY = 1.
7. OBSOLETE PARTS: OBSOLETE CIS STREAMLINING PER D.RENAUD/D.SINISI
8. ADD PN ON TOP SURFACE FOR REQUIRED PARTS



TERMINAL PLATING	PACKAGING	PANEL GROUNDS	DIM A	PART NUMBER
MATTE TIN	TAPE/REEL	0	2.54 [.100]	4-406541-8
	TAPE/REEL	0	2.54 [.100]	3-406541-0
	TRAY	6	2.54 [.100]	2-406541-7
	TRAY	6	3.56 [.140]	2-406541-6
	TAPE/REEL	2	2.54 [.100]	2-406541-4
	TRAY	6	3.05 [.120]	2-406541-3
	TRAY	0	2.54 [.100]	2-406541-2
	TRAY	2	2.54 [.100]	2-406541-1
	TAPE/REEL	0	2.54 [.100]	2-406541-0
	TRAY	6	3.05 [.120]	1-406541-9
	TAPE/REEL	0	2.54 [.100]	1-406541-8
	TRAY	6	2.54 [.100]	1-406541-7
BRIGHT TIN-LEAD	TRAY	6	3.56 [.140]	1-406541-6
	TRAY	0	2.54 [.100]	406541-5
	TRAY	5	2.54 [.100]	406541-4
	TRAY	6	2.00 [-0.79]	1-406541-3
	TRAY	6	2.54 [.100]	1-406541-1
	TRAY	6	3.56 [.140]	406541-6
	TRAY	0	2.54 [.100]	406541-5
	TRAY	5	2.54 [.100]	406541-4
	TRAY	6	2.00 [-0.79]	406541-3
	TRAY	6	2.54 [.100]	406541-1
	TRAY	6	2.54 [.100]	406541-1
	TRAY	6	2.54 [.100]	406541-1

SUGGESTED PRINTED CIRCUIT BOARD LAYOUT (COMPONENT SIDE)

THIS DRAWING IS A CONTROLLED DOCUMENT.

DIMENSIONS: mm [INCHES]

TOLERANCES UNLESS OTHERWISE SPECIFIED:

0 PLC	±	-
1 PLC	±	-
2 PLC	±	0.25[.010]
3 PLC	±	-
4 PLC	±	-
ANGLES	±	-

MATERIAL: SEE TABLE

FINISH: SEE TABLE

WEIGHT: 0.000000

CUSTOMER DRAWING

DATE: 09JAN2008

BY: TS/LA.MAYER

CHK: J.WESTMAN

APP'D: S.FLICKINGER

NAME: INVERT MODULAR JACK ASSEMBLY 1 X 1, SHIELDED, PANEL GROUND

SIZE: A1

CAGE CODE: 00779

DRAWING NO: 406541

RESTRICTED TO: -

SCALE: 4:1

SHEET: 1 of 1

REV: R