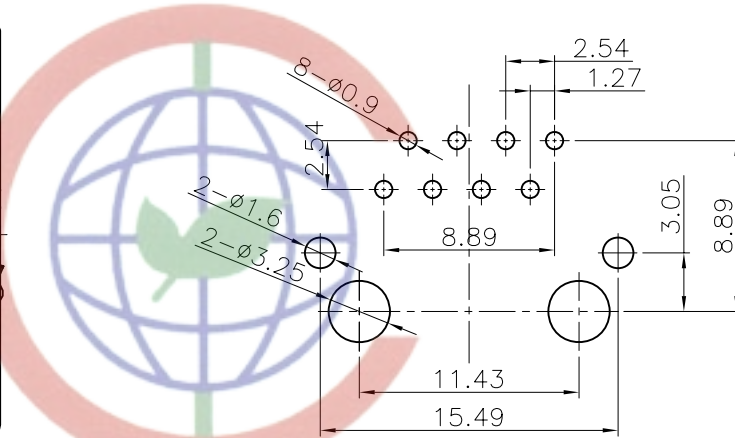
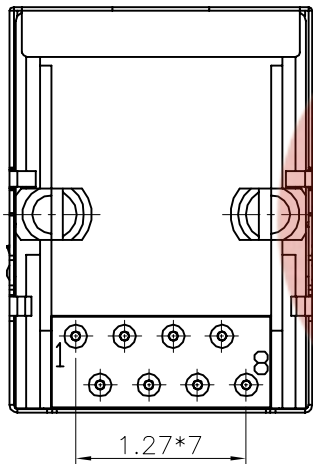


REV.	DESCRIPTION	DRAWN	CHECKED	APPROVED
A	NEW RELEASE	YCH 11/03/09'	~	



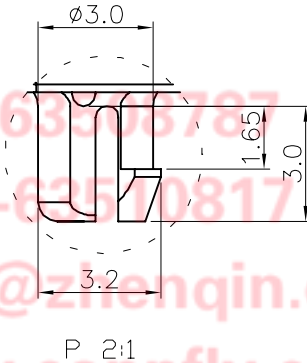
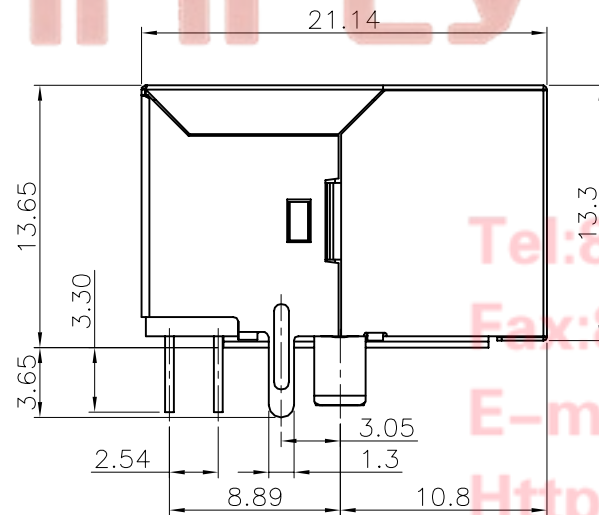
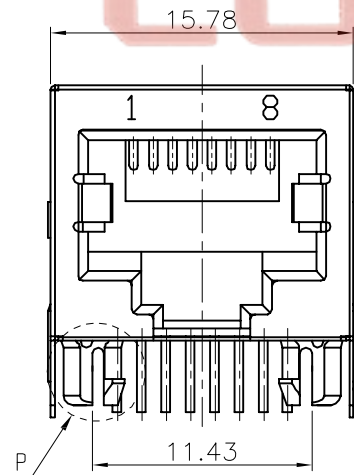
RECOMMEND PCB LAYOUT
(TOLERANCE=±0.05)

SPECIFICATION

1. Insulation Resistance:1000MΩ Min.
2. Withstand Voltage:500V,AC/Minute.
3. Durability:600 Cycles Min.
4. Product Number Code:

DS1128-02-X X X X

- Housing Color
B:Black
- Contact Plating
0:Gold Flash
3:Selective 3u" Gold
(6;15;30)Micro Inch
- No.Of Contacts
4:8p4c 6:8p6c 8:8p8c
- Connector Type
S:Socket
- Series No.
DS1128-02



GENERAL TOLERANCE		ANGLE TOLERANCE	
X.	±0.60	X.	±5°
.X	±0.38	.X	±3°
.XX	±0.25	.XX	±2°

DRAWING TYPE	CUSTOMER
SCALE	1:1 SHEET 1 OF 1
DRAWING NO.	C-DS1128-02-XXXX

PROJECTION	TITLE
UNITS mm	PCB JACK 8P 1PORT
SHEET SIZE A4	SERIES DS1128-02 SERIES



晨翔电子有限公司

CONNFLY CONNFLY ELECTRONIC CO. LTD

Tel:86-574-63508787
Fax:86-574-63510817
E-mail:sale@zhenqin.com.cn
Http://www.connfly.com