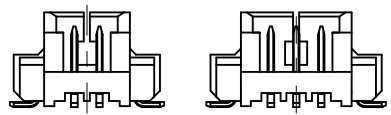
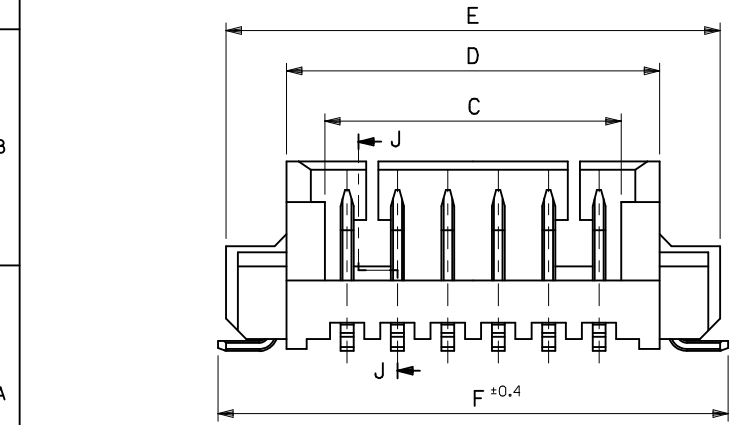


注記 NOTES

- 嵌合相手: 51021 シリーズ MATE WITH : 51021 SERIES
- 水平面上においての、ウエハー底面 [W] とソルダーテール及びフィッティングネイル底面とのズレ量を示す。  
MISALIGNMENT OF SOLDER TAIL & FITTING NAIL FROM [W]
- 偶数極にのみ適用。APPLY EVEN CIRCUIT PRODUCTS.
- ロック窓は、2、3極は1ヶ所、4極以上は2ヶ所とする。  
LOCKING WINDOW : ONE PLACE FOR 2&3 CKTS.  
TWO PLACES FOR MORE THAN 4 CKTS.
- 材質 MATERIAL PA, UL94V-0 COLOR:NATURAL  
ウエハー : WAFER  
ピン : リン青銅  
PIN : PHOS-BRO  
: 錫メッキ 1.0マイクロメートル以上  
: MATTE TIN 1.0 MICROMETER MINIMUM  
: ニッケル下地 1.0マイクロメートル以上  
: NICKEL(UNDER PLATING)1.0 MICROMETER MINIMUM  
金具  
FITTING NAIL : リン青銅  
: PHOS-BRO  
: 錫メッキ 1.0マイクロメートル以上  
: MATTE TIN 1.0 MICROMETER MINIMUM  
: ニッケル下地 1.0マイクロメートル以上  
: NICKEL(UNDER PLATING)1.0 MICROMETER MINIMUM
- 本製品は 53398-\*\*10 の鉛フリー品である。  
THIS PRODUCT IS LEAD FREE OF 53398-\*\*10.
- ソルダーテール及び金具の平坦度は0.1以下。  
SOLDER TAIL & FITTING NAIL COPLANARITY TO BE 0.1 MAX.
- ELV及びRoHS適合品  
ELV AND RoHS COMPLIANT.



△ロック形状図  
LOCK CONFIGURATION



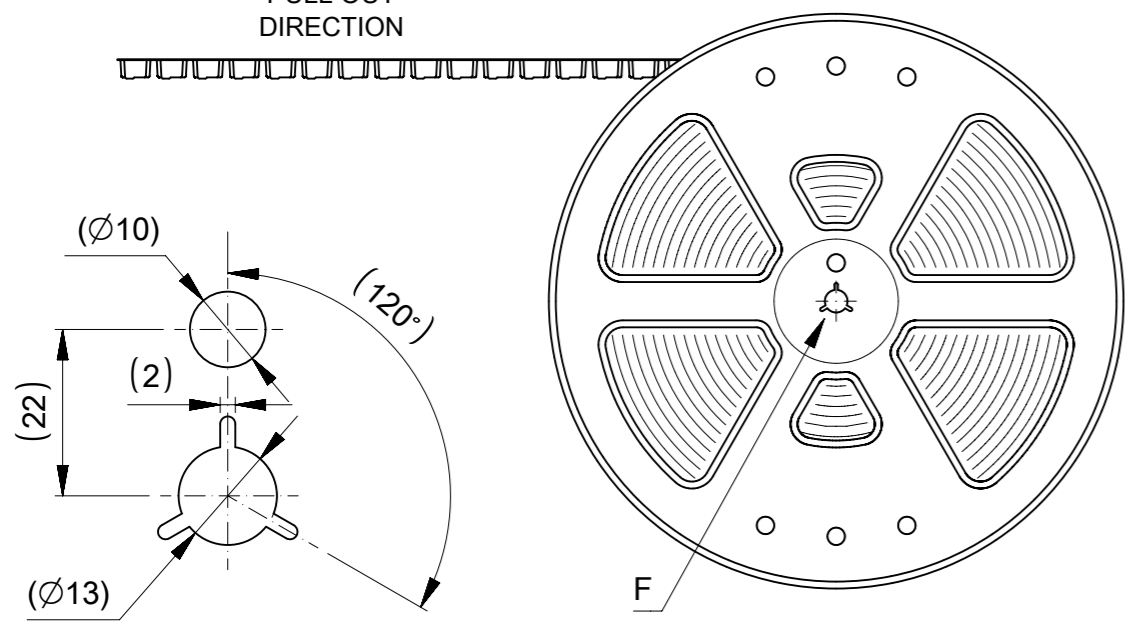
REVISED EC NO: J2017-0403 DRWN:SOBARA01 2017/01/24 CHK:DAIDA 2017/01/31 APPR:KANeko 2017/02/01	GENERAL TOLERANCES (UNLESS SPECIFIED)		DIMENSION STYLE MM ONLY		SCALE 8:1	MODEL NO. 53398-**19
	0.25 UNDER	UNDER	±0.03	DRAWN BY MNINOMIYA	DATE 04/02/06	TITLE PICOBLADE 125 HEADER ASSY SMT ST TYPE
	0.25 OVER	0.5 UNDER	±0.05	CHECKED BY KTOJO	DATE 04/02/06	molex
	0.5 OVER	1.0 UNDER	±0.1	APPROVED BY MSASAO	DATE 04/02/06	
1.0 OVER	10 UNDER	±0.2	MATERIAL NO.	DOCUMENT NO.	SHEET NO.	
10 OVER	30 UNDER	±0.25	SEE CHART		SD-53398-032	1 OF 2
30 OVER		±0.3	THIS DRAWING CONTAINS INFORMATION THAT IS PROPRIETARY TO MOLEX ELECTRONIC TECHNOLOGIES, LLC AND SHOULD NOT BE USED WITHOUT WRITTEN PERMISSION			
ANGULAR ±3 °			DRAFT WHERE APPLICABLE MUST REMAIN WITHIN DIMENSIONS			

23.9	23.5	20.5	18.6	19.3	17.5	53398-1571	15
22.65	22.25	19.25	17.35	18.05	16.25	53398-1471	14
21.4	21	18	16.1	16.8	15	53398-1371	13
20.15	19.75	16.75	14.85	15.55	13.75	53398-1271	12
18.9	18.5	15.5	13.6	14.3	12.5	53398-1171	11
17.65	17.25	14.25	12.35	13.05	11.25	53398-1071	10
16.4	16	13	11.1	11.8	10	53398-0971	9
15.15	14.75	11.75	9.85	10.55	8.75	53398-0871	8
13.9	13.5	10.5	8.6	9.3	7.5	53398-0771	7
12.65	12.25	9.25	7.35	8.05	6.25	53398-0671	6
11.4	11	8	6.1	6.8	5	53398-0571	5
10.15	9.75	6.75	4.85	5.55	3.75	53398-0471	4
8.9	8.5	5.5	3.6	4.3	2.5	53398-0371	3
7.65	7.25	4.25	2.35	3.05	1.25	53398-0271	2
F	E	D	C	B	A	EMBOSSED TAPE PKG. (HIGH BARRIER PKG.) ORDER No.	種数 No. of &T's.

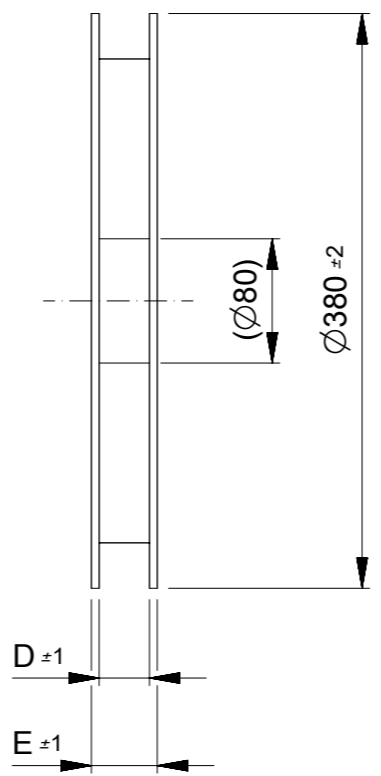
CONNECTOR SERIES NO. 53398-\*\*\*19

REVISED EC NO: J2017-0403 DRWNS0BARA01 2017/01/26 CHKDAIDA 2017/01/31 APPR:TKANEKO 2017/02/01	GENERAL TOLERANCES (UNLESS SPECIFIED)			DIMENSION STYLE <b>MM ONLY</b>		SCALE <b>8:1</b>	DESIGN UNITS <b>METRIC</b>	THIRD ANGLE PROJECTION	
	0.25 UNDER	UNDER	±0.03	DRAWN BY	DATE	TITLE			
	0.25 OVER	0.5 UNDER	±0.05	MNINOMIYA	04/02/06	PICOBLADE 1.25 HEADER ASSY SMT ST TYPE <b>molex</b>			
	0.5 OVER	1.0 UNDER	±0.1	CHECKED BY	DATE				
	1.0 OVER	10 UNDER	±0.2	KTOJO	04/02/06	DOCUMENT NO. SD-53398-032 SHEET NO. 2 OF 2			
	10 OVER	30 UNDER	±0.25	APPROVED BY	DATE				
30 OVER		±0.3	MSASAO	04/02/06	MATERIAL NO. SEE CHART				
ANGULAR ±3 °			DRAFT WHERE APPLICABLE MUST REMAIN WITHIN DIMENSIONS		SIZE <b>A3</b>	THIS DRAWING CONTAINS INFORMATION THAT IS PROPRIETARY TO MOLEX ELECTRONIC TECHNOLOGIES, LLC AND SHOULD NOT BE USED WITHOUT WRITTEN PERMISSION			

引き出し方向  
PULL OUT  
DIRECTION

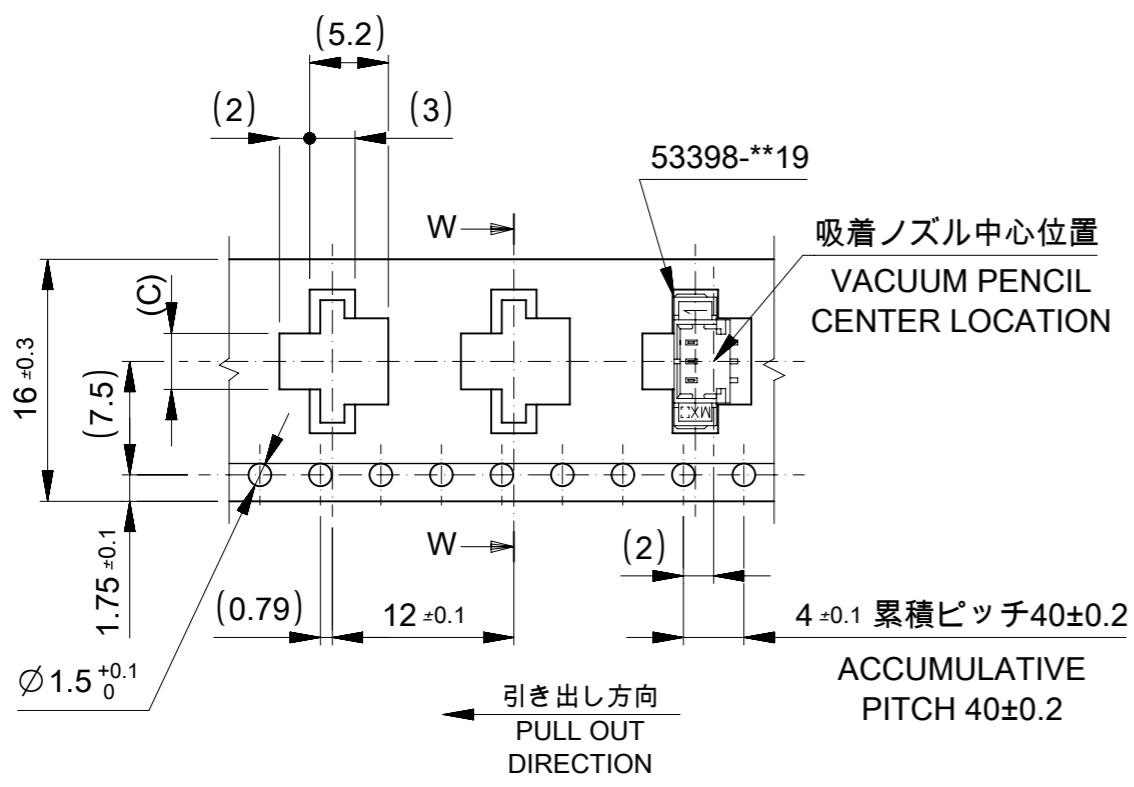
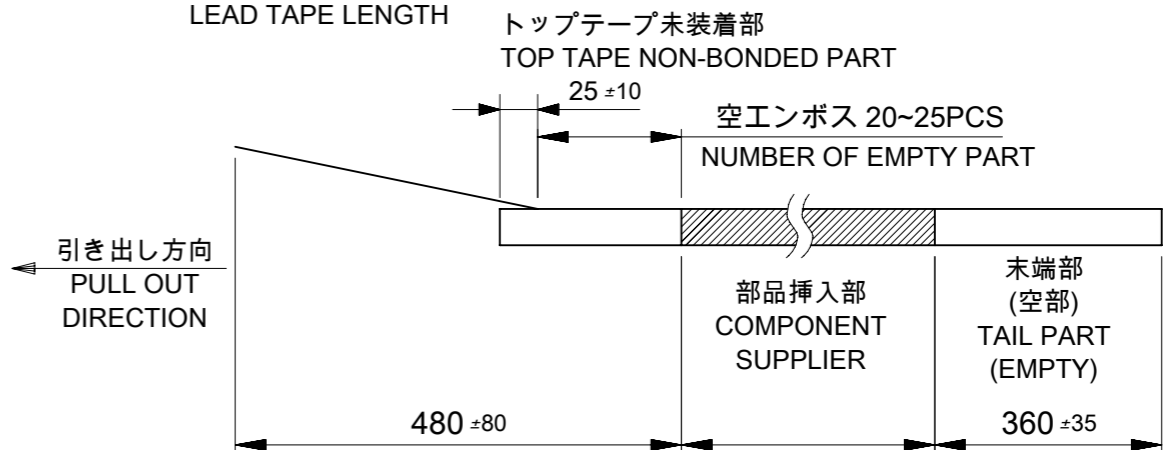


DETAIL F

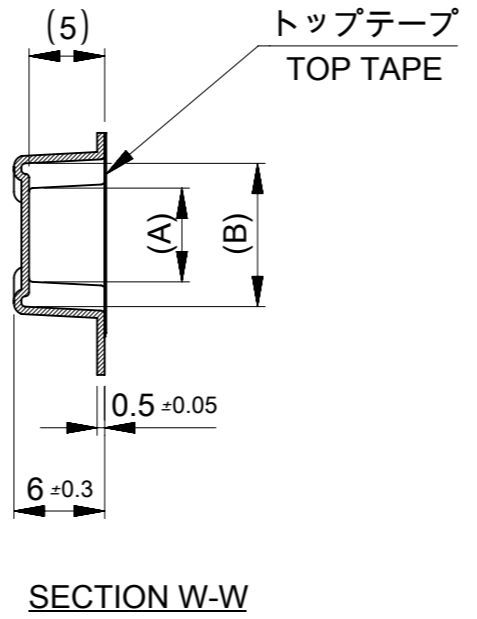


注釈 NOTE

- 梱包数量 : 1000個/リール  
NUMBER OF CONNECTOR : 1000PCS / REEL
- リードテープ長さ  
LEAD TAPE LENGTH  
トップテープ未装着部  
TOP TAPE NON-BONDED PART  
25 ± 10  
空エンボス 20~25PCS  
NUMBER OF EMPTY PART  
部品挿入部  
COMPONENT  
SUPPLIER  
末端部  
(空部)  
TAIL PART  
(EMPTY)  
480 ± 80  
360 ± 35
- コネクタ53398-\*\*19の詳細寸法はSD-53398-032をご参照ください。  
REFER TO DRAWING SD-53398-032 FOR DETAIL DIMENSION OF CONNECTOR 53398-\*\*19.
- 材料 MATERIAL  
キャリアテープ (CARRIER TAPE): ポリプロピレン (POLYPROPYLENE)  
トップテープ (TOP TAPE): PET, PE, PEF  
リール (REEL): ポリスチレン(PS) <リサイクル材含む>  
POLYSTYREN(PS) <RECYCLE MATERIAL CONTAINED >
- 本製品は乾燥剤入り、ハイバリア梱包仕様である。  
THIS PRODUCT IS HIGH BARRIER PACKAGE WITH DESICCANT.



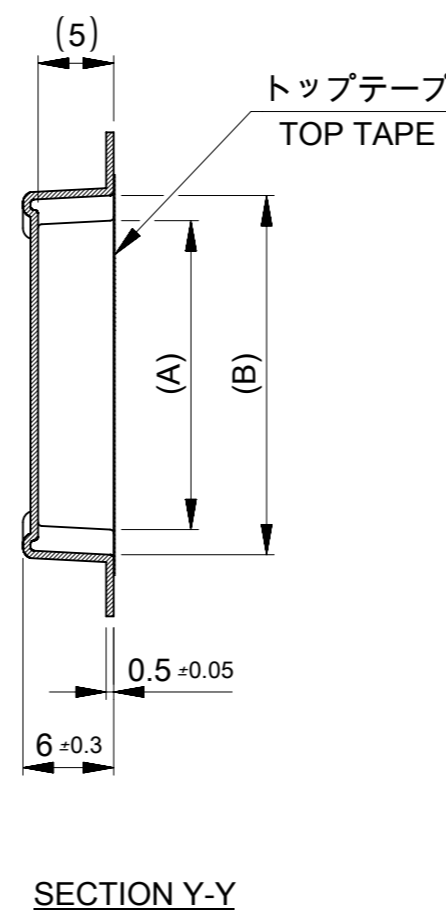
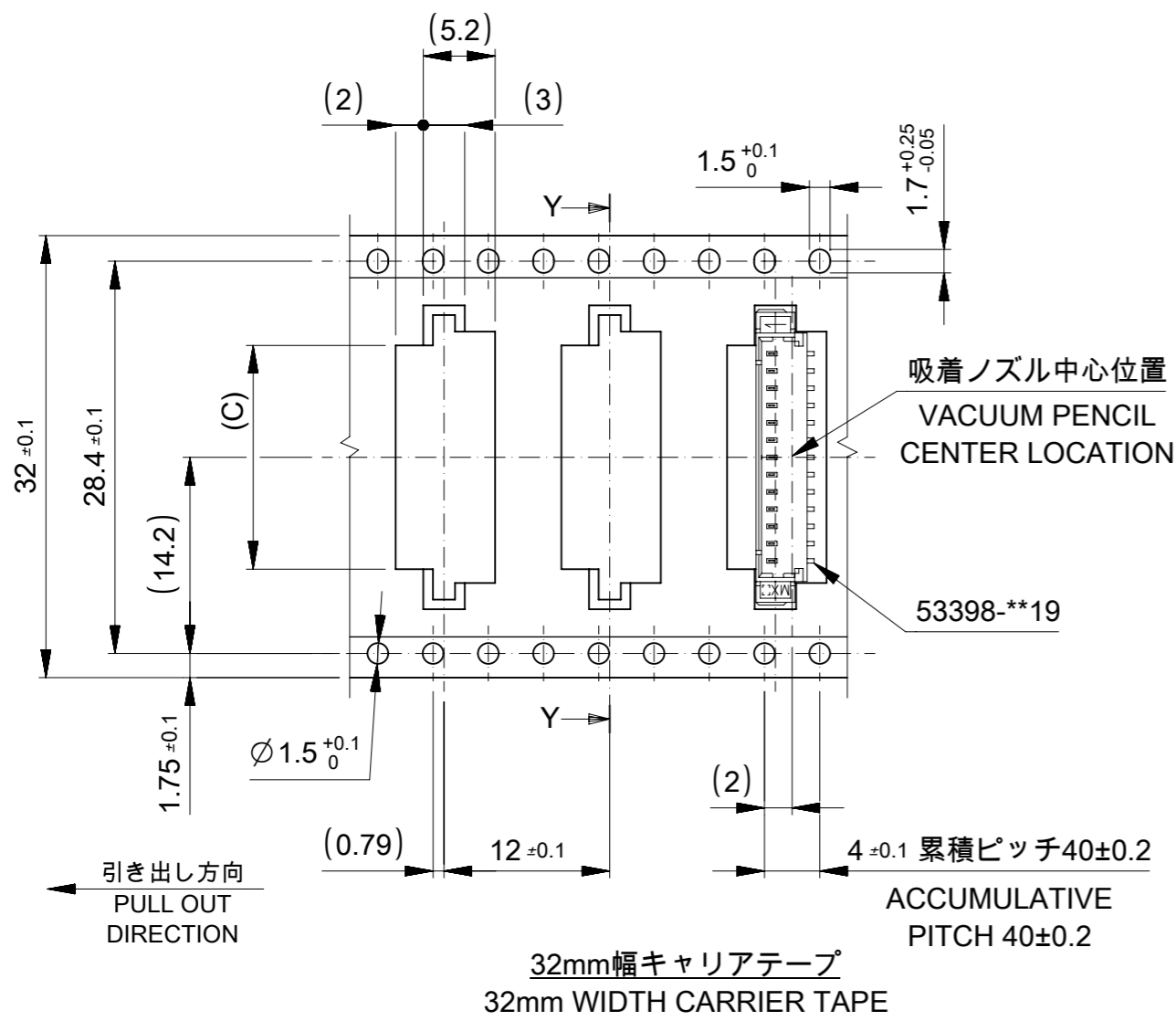
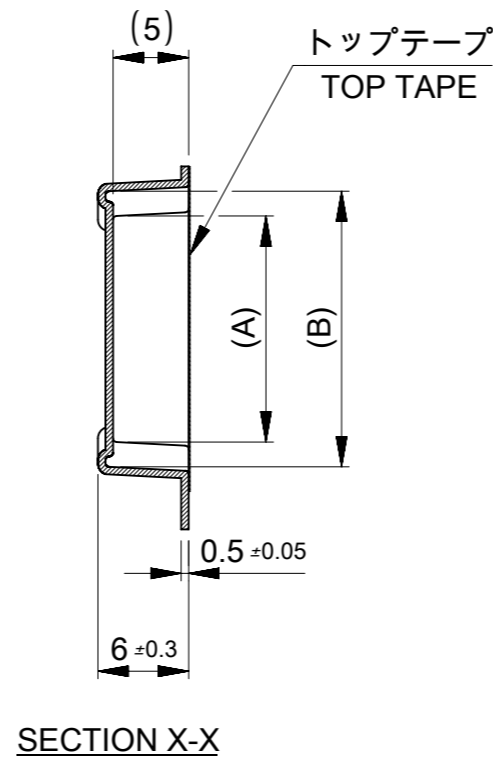
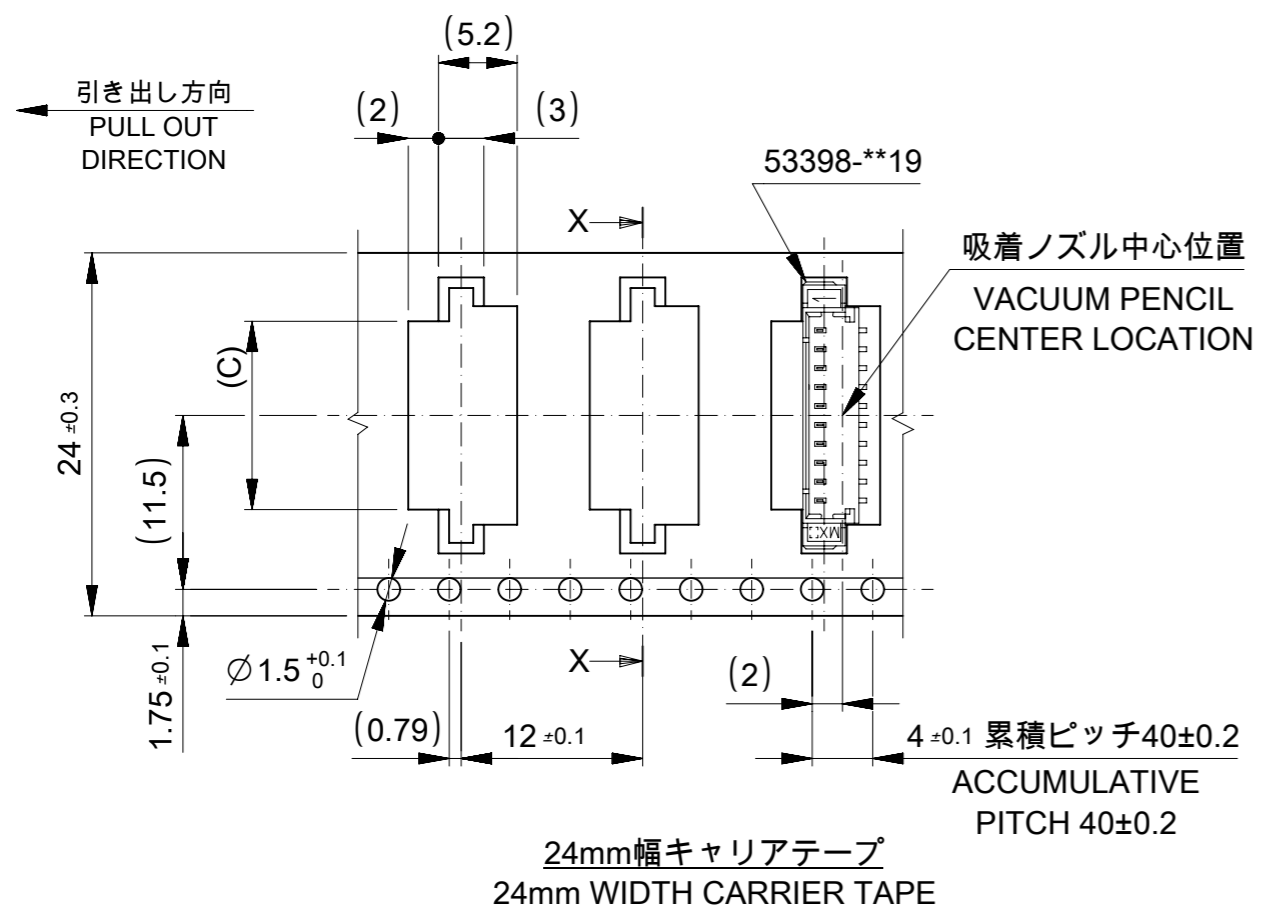
16mm幅キャリアテープ  
16mm WIDTH CARRIER TAPE



SECTION W-W

16	21.4	17.4	3.7	9.5	5.8	53398-0371	3
			2.45	8.25	4.55	53398-0271	2
キャリアテープ幅 CARRIER TAPE WIDTH	E	D	C	B	A	EMBOSSD TAPE PACKAGE オーダー番号 ORDER NO.	極数 CKT.

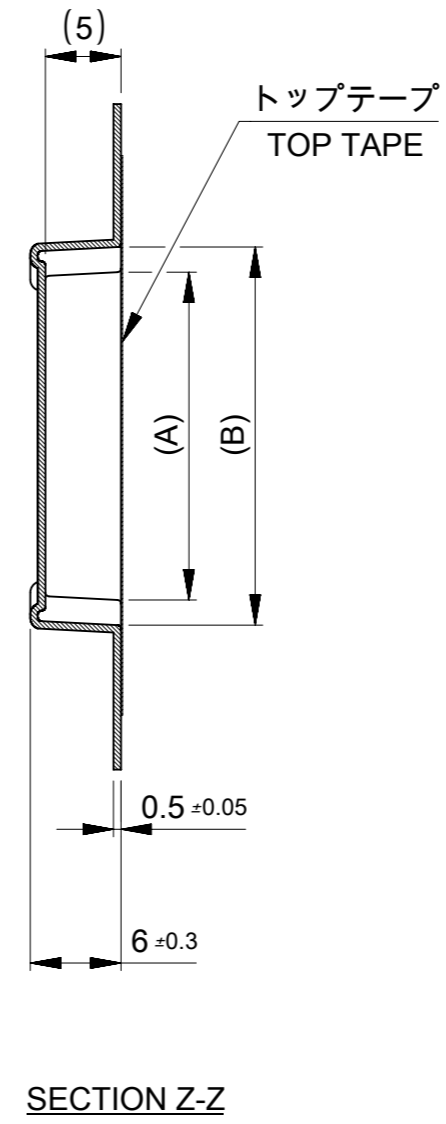
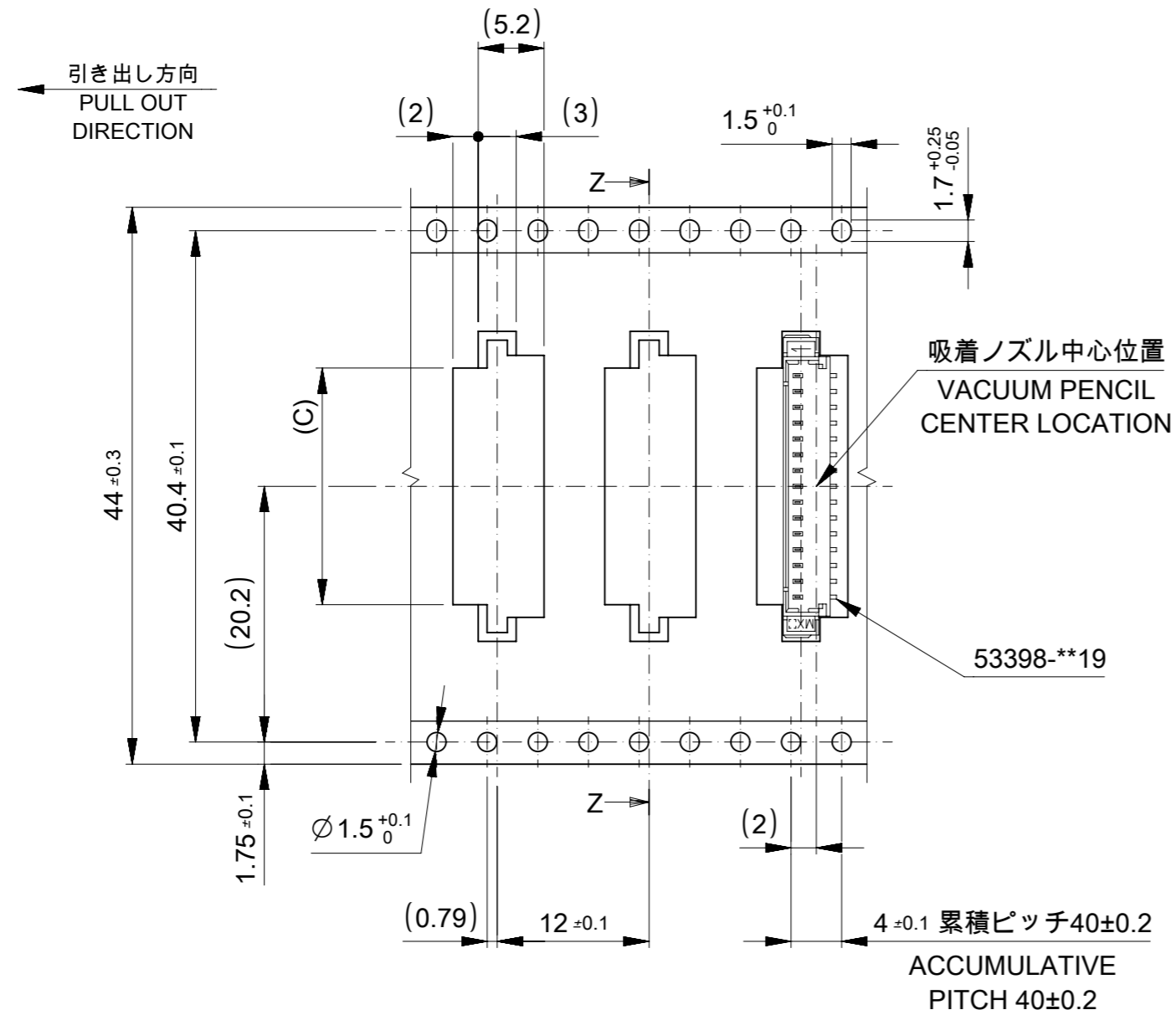
THIS DRAWING CONTAINS INFORMATION THAT IS PROPRIETARY TO MOLEX ELECTRONIC TECHNOLOGIES, LLC AND SHOULD NOT BE USED WITHOUT WRITTEN PERMISSION		CURRENT REV DESC:		<b>molex</b>	
DIMENSION UNITS	SCALE	EC NO: 174889			
mm	NTS	DRWN: SOBARA01 2018/04/10		PICOBALDE 1.25 W/B CONN. SMT ST EMBOSSD TAPE PACKAGE	
GENERAL TOLERANCES (UNLESS SPECIFIED)		CHK'D: TKANEKO 2018/04/13		PRODUCT CUSTOMER DRAWING	
ANGULAR TOL	± 3.0 °	APPR: TKANEKO 2018/04/13		DOCUMENT NUMBER	
4 PLACES	± 0.2	INITIAL REVISION:		DOC TYPE	
3 PLACES	± 0.2	DRWN: MNINOMIYA 2004/02/25		DOC PART	
2 PLACES	± 0.2	APPR: MSASAO 2004/02/26		REVISION	
1 PLACE	± 0.2	DRAWING		SD-53398-033	
0 PLACES	± 0.2	SERIES		PSD 001 C	
DRAFT WHERE APPLICABLE MUST REMAIN WITHIN DIMENSIONS		THIRD ANGLE PROJECTION		MATERIAL NUMBER	
		DRAWING		CUSTOMER	
		A3-SIZE		SEE CHART	
		53398		GENERAL MARKET	
				SHEET NUMBER	
				1 OF 4	



32	37.4	33.4	16.2	22	18.3	53398-1371	13		
			14.95	20.75	17.05	53398-1271	12		
			13.7	19.5	15.8	53398-1171	11		
24	29.4	25.4	12.45	18.25	14.55	53398-1071	10		
			11.2	17	13.3	53398-0971	9		
			9.95	15.75	12.05	53398-0871	8		
			8.7	14.5	10.8	53398-0771	7		
			7.45	13.25	9.55	53398-0671	6		
			6.2	12	8.3	53398-0571	5		
キャリアテープ幅 CARRIER TAPE WIDTH			E	D	C	B	A	EMBOSSED TAPE PACKAGE オーダー番号 ORDER NO.	極数 CKT.
								53398-0471	4

THIS DRAWING CONTAINS INFORMATION THAT IS PROPRIETARY TO MOLEX ELECTRONIC TECHNOLOGIES, LLC AND SHOULD NOT BE USED WITHOUT WRITTEN PERMISSION

DIMENSION UNITS mm	SCALE NTS	CURRENT REV DESC:		<b>molex</b>		
GENERAL TOLERANCES (UNLESS SPECIFIED)						
ANGULAR TOL ± 3.0°		EC NO: 174889		PICOBALDE 1.25 W/B CONN. SMT ST EMBOSSED TAPE PACKAGE		
4 PLACES ± 0.2		DRWN: SOBARA01	2018/04/10	PRODUCT CUSTOMER DRAWING		
3 PLACES ± 0.2		CHK'D: TKANEKO	2018/04/13	DOCUMENT NUMBER		
2 PLACES ± 0.2		APPR: TKANEKO	2018/04/13	SD-53398-033		
1 PLACE ± 0.2		INITIAL REVISION:		DOC TYPE	DOC PART	REVISION
0 PLACES ± 0.2		DRWN: MNINOMIYA	2004/02/25	PSD	001	C
		APPR: MSASAO	2004/02/26	SHEET NUMBER		
DRAFT WHERE APPLICABLE MUST REMAIN WITHIN DIMENSIONS	THIRD ANGLE PROJECTION	DRAWING	SERIES	MATERIAL NUMBER	CUSTOMER	
		A3-SIZE	53398	SEE CHART	GENERAL MARKET	2 OF 4



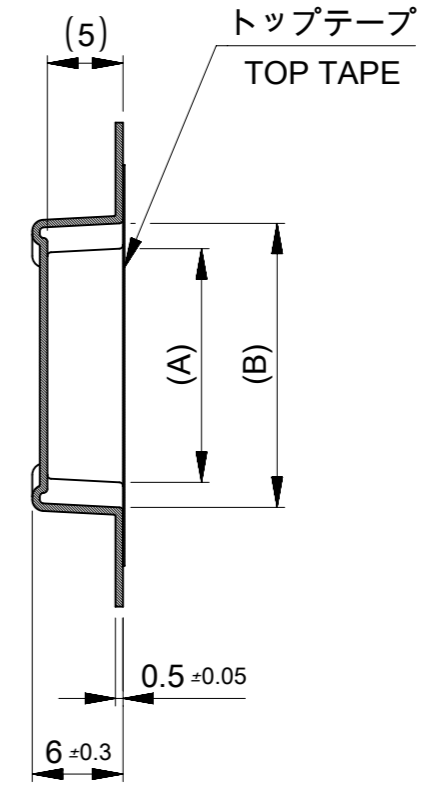
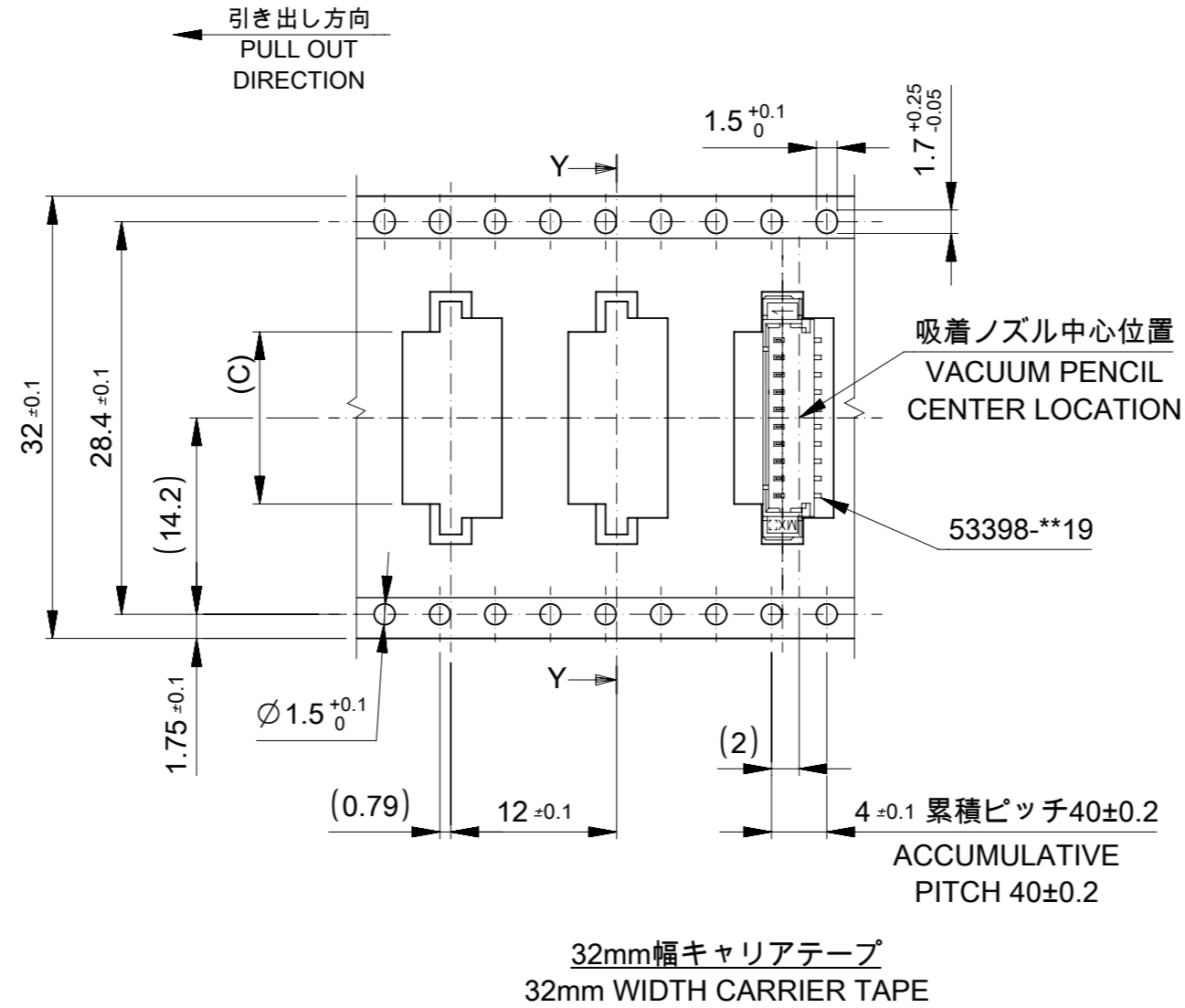
44mm幅キャリアテープ  
44mm WIDTH CARRIER TAPE

44	49.4	45.4	18.7	24.5	20.8	53261-1571	15
			17.45	23.25	19.55	53261-1471	14
キャリアテープ幅 CARRIER TAPE WIDTH	E	D	C	B	A	EMBOSSED TAPE PACKAGE	極数 CKT.
						オーダー番号 ORDER NO.	

THIS DRAWING CONTAINS INFORMATION THAT IS PROPRIETARY TO MOLEX ELECTRONIC TECHNOLOGIES, LLC AND SHOULD NOT BE USED WITHOUT WRITTEN PERMISSION

DIMENSION UNITS mm	SCALE NTS	CURRENT REV DESC:	<b>molex</b>			
GENERAL TOLERANCES (UNLESS SPECIFIED)						
ANGULAR TOL ± 3.0°		EC NO: 174889	PICOBALDE 1.25 W/B CONN. SMT ST EMBOSSED TAPE PACKAGE			
4 PLACES ± 0.2		DRWN: SOBARA01 2018/04/10				
3 PLACES ± 0.2		CHK'D: TKANEKO 2018/04/13	PRODUCT CUSTOMER DRAWING			
2 PLACES ± 0.2		APPR: TKANEKO 2018/04/13				
1 PLACE ± 0.2		INITIAL REVISION:	DOCUMENT NUMBER	DOC TYPE	DOC PART	REVISION
0 PLACES ± 0.2		DRWN: MNINOMIYA 2004/02/25	SD-53398-033	PSD	001	C
		APPR: MSASAO 2004/02/26	MATERIAL NUMBER	CUSTOMER	SHEET NUMBER	
DRAFT WHERE APPLICABLE MUST REMAIN WITHIN DIMENSIONS	THIRD ANGLE PROJECTION	DRAWING	SERIES	MATERIAL NUMBER	CUSTOMER	SHEET NUMBER
		A3-SIZE	53398	SEE CHART	GENERAL MARKET	3 OF 4

53398-1071  
 韓国生産分に適用  
 APPLIES TO PRODUCT  
 PRODUCED BY MXK



32	37.4	33.4	12.45	18.25	14.55	53398-1071	10
キャリアテープ幅 CARRIER TAPE WIDTH	E	D	C	B	A	EMBOSSSED TAPE PACKAGE オーダー番号 ORDER NO.	極数 CKT.

THIS DRAWING CONTAINS INFORMATION THAT IS PROPRIETARY TO MOLEX ELECTRONIC TECHNOLOGIES, LLC AND SHOULD NOT BE USED WITHOUT WRITTEN PERMISSION		CURRENT REV DESC:		<b>molex</b>			
DIMENSION UNITS	SCALE						
mm	NTS			PRODUCT CUSTOMER DRAWING			
GENERAL TOLERANCES (UNLESS SPECIFIED)		EC NO: 174889		DOCUMENT NUMBER			
ANGULAR TOL	± 3.0 °	DRWN: SOBARA01 2018/04/10		SD-53398-033			
4 PLACES	± 0.2	CHK'D: TKANEKO 2018/04/13		DOC TYPE			
3 PLACES	± 0.2	APPR: TKANEKO 2018/04/13		PSD			
2 PLACES	± 0.2	INITIAL REVISION:		DOC PART			
1 PLACE	± 0.2	DRWN: MNINOMIYA 2004/02/25		001			
0 PLACES	± 0.2	APPR: MSASAO 2004/02/26		C			
DRAFT WHERE APPLICABLE MUST REMAIN WITHIN DIMENSIONS		THIRD ANGLE PROJECTION	DRAWING	SERIES	MATERIAL NUMBER	CUSTOMER	SHEET NUMBER
			A3-SIZE	53398	SEE CHART	GENERAL MARKET	4 OF 4