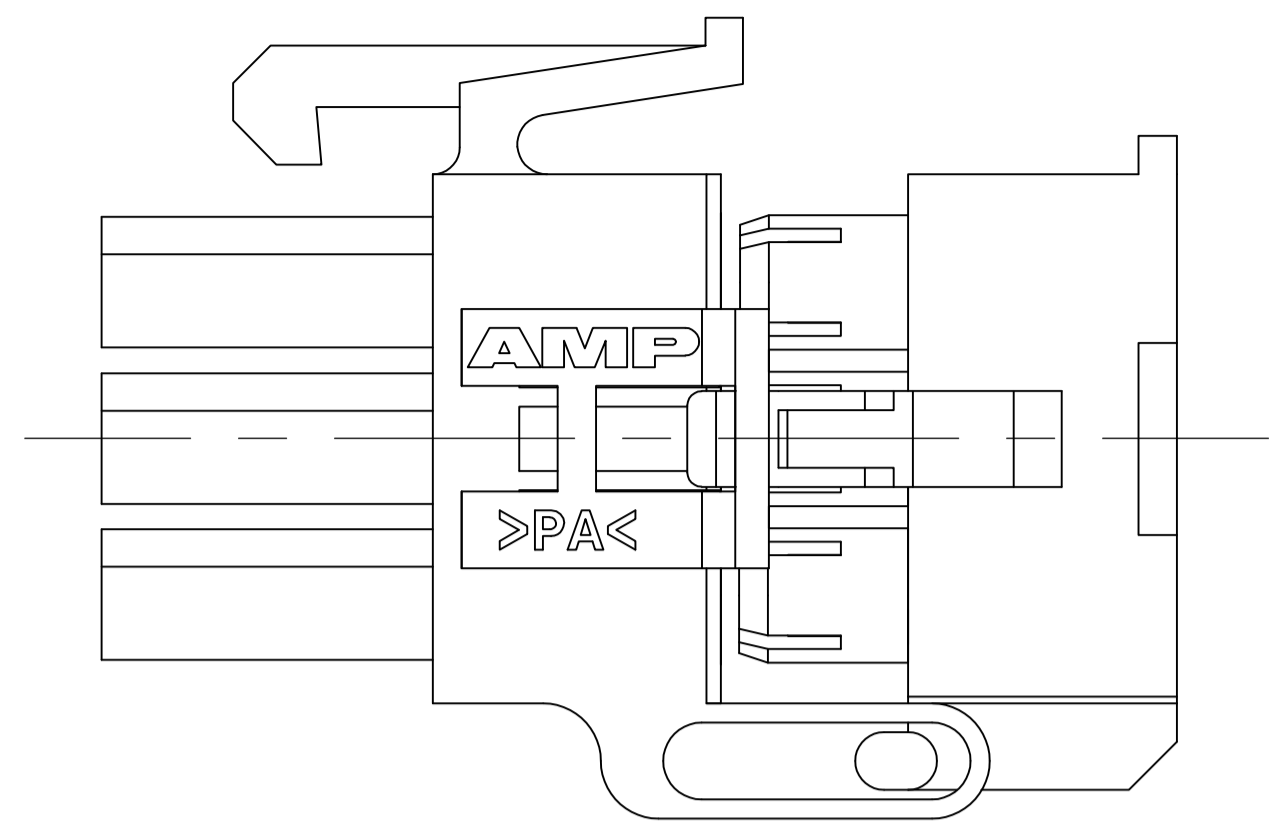
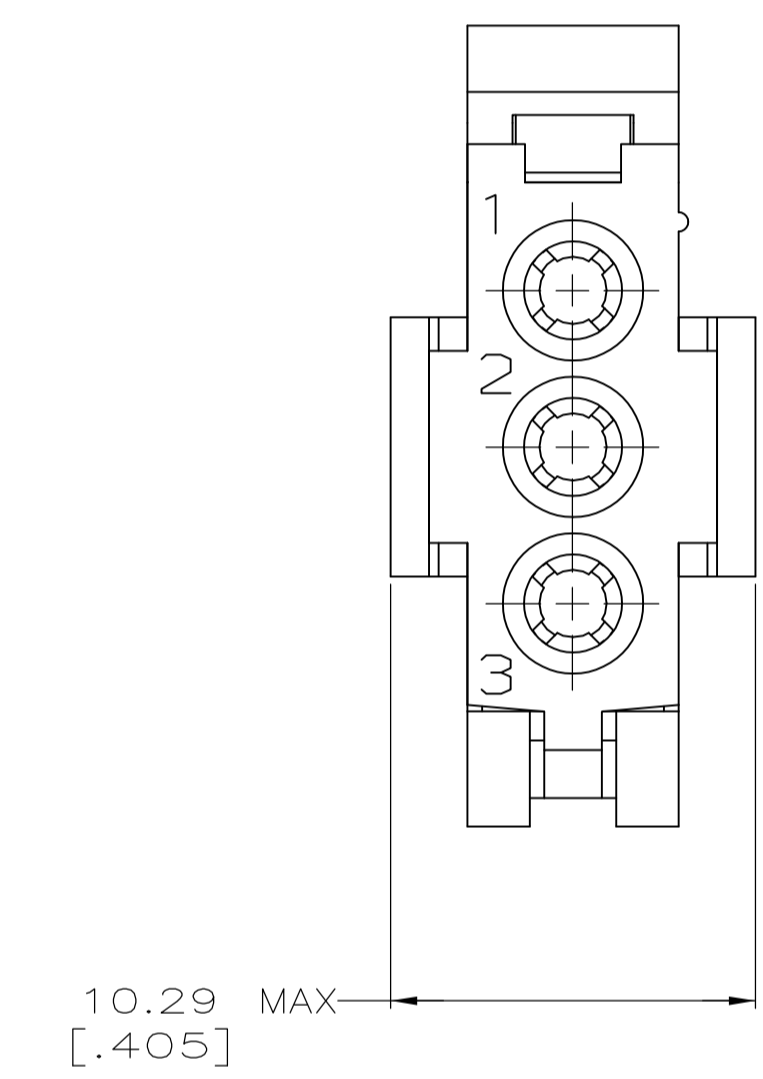
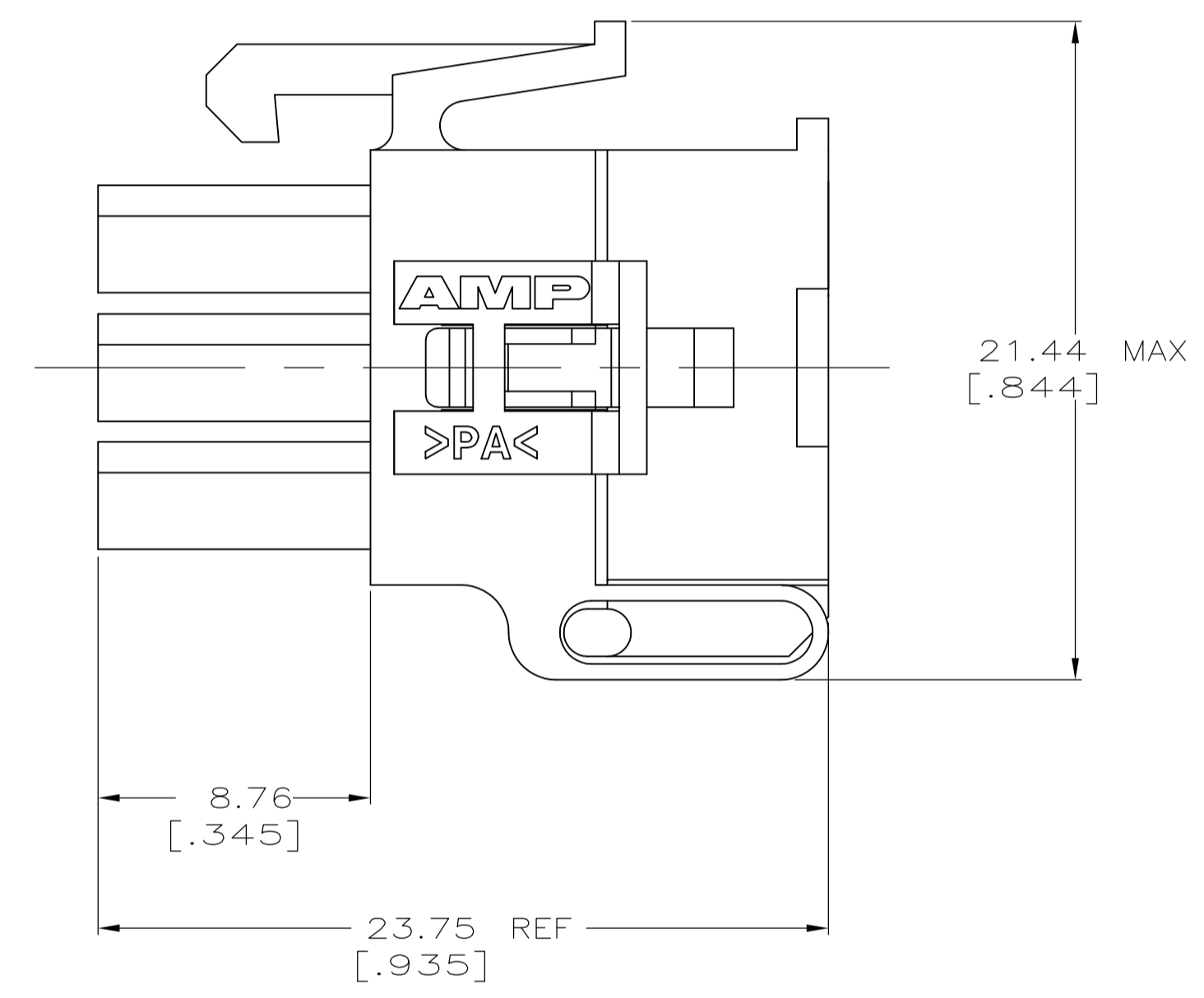
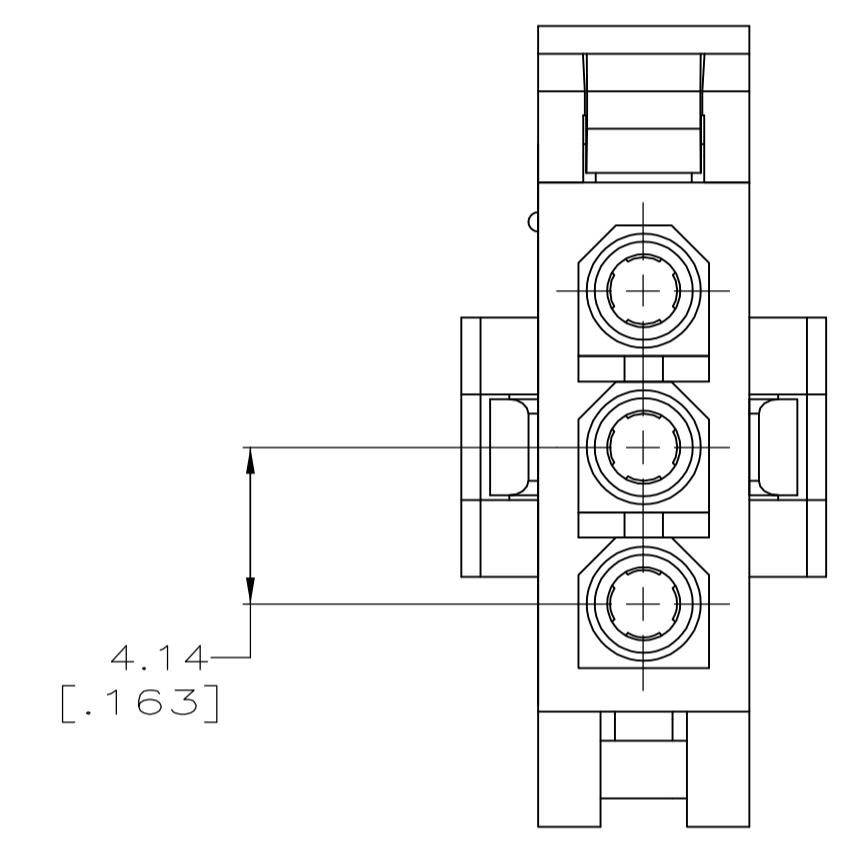


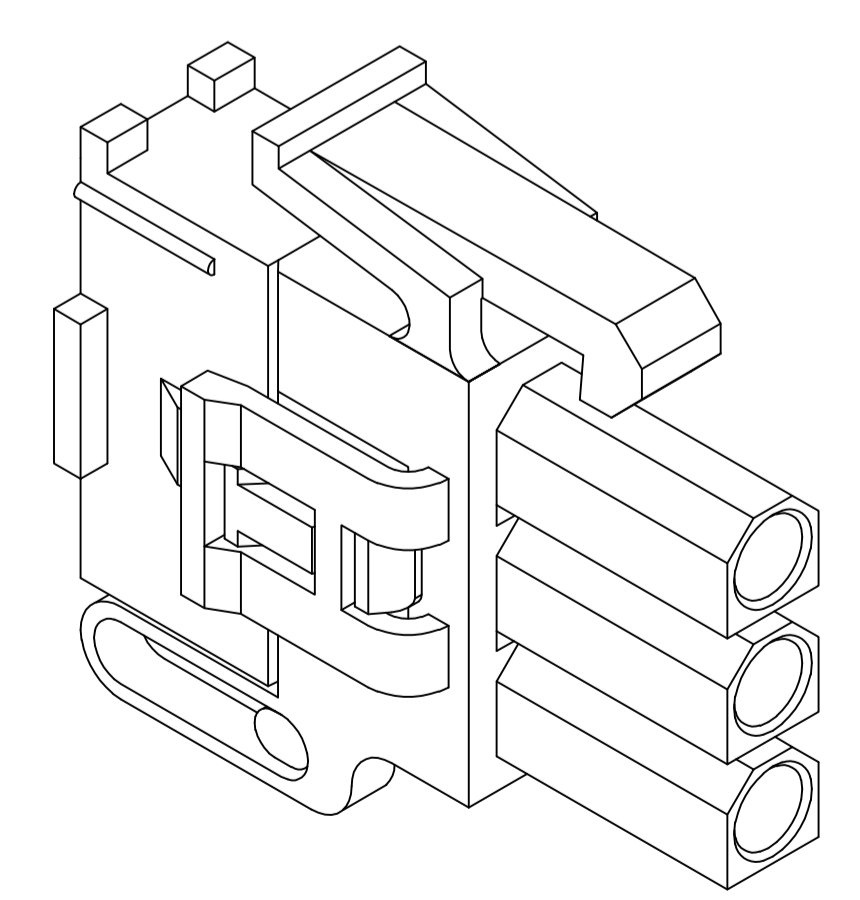
LOC		DIST		REVISIONS			
P	LTR	DESCRIPTION	DATE	DMN	APVD		
C		REVISED PER ECO-10-007848	14APR10	HMR	MS		



PRE-STAGED CONDITION



1 DIMENSIONS IN BRACKETS ARE IN INCHES.



3-DIMENSIONAL MODEL
NTS

METRIC

794186-1
PART NUMBER

THIS DRAWING IS A CONTROLLED DOCUMENT.		DWN K. WHITAKER 5-09-97	Tyco Electronics Corporation Harrisburg, PA 17105-3608
		CHK R. SWING 5-09-97	
DIMENSIONS: mm		APVD R. ORSTAD 5-09-97	NAME PLUG, 3 CIRCUIT, MINI UNIVERSAL MATE-N-LOK
TOLERANCES UNLESS OTHERWISE SPECIFIED:		PRODUCT SPEC	APPLICATION SPEC
0. PLC ± -		APPLIC	RESTRICTED TO
1. PLC ± -		WEIGHT	A1 00779 C=794186
2. PLC ± 0.13[.005]		SCALE	5:1
3. PLC ± -		SHEET	1 OF 1
4. PLC ± -		REV	C
ANGLES ± 0° 30'			
MATERIAL NYLON, UL 94V-0, NATURAL			
FINISH -			
		RESTRICTED CUSTOMER	