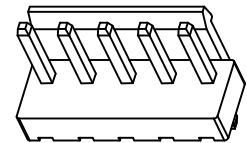
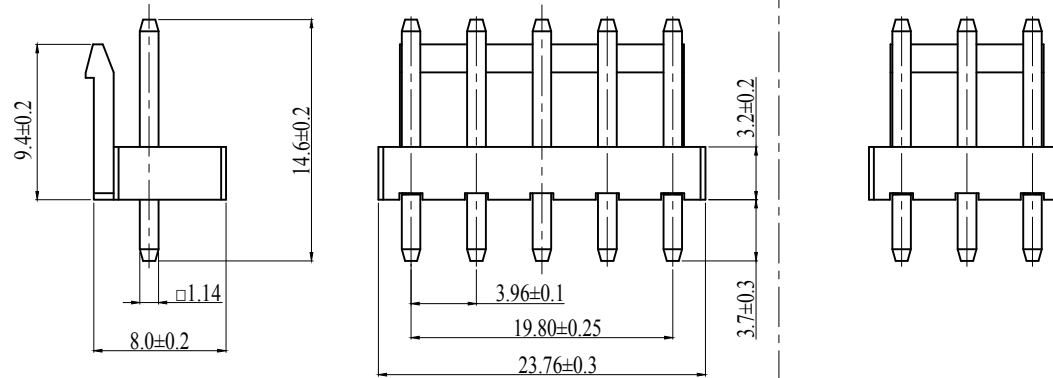
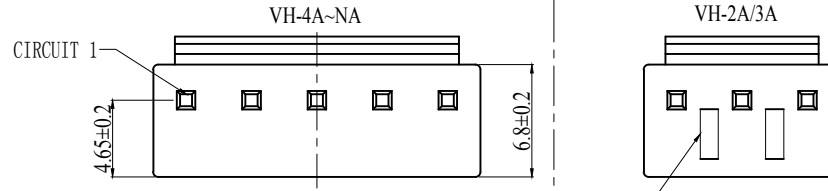
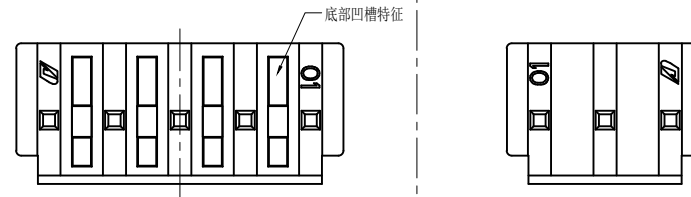
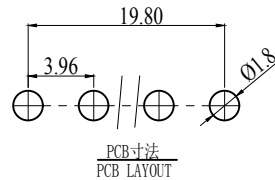


POLES	A	B
2	3.96	7.92
3	7.92	11.88
4	11.88	15.84
5	15.84	19.80
6	19.80	23.76
7	23.76	27.72
8	27.72	31.68
9	31.68	35.64
10	35.64	39.60
11	39.60	43.56
12	43.56	47.52
13	47.52	51.48
14	51.48	55.44
15	55.44	59.40



3D图示 (参考)



■ 技术参数 (SPECIFICATIONS)

- ◆ 额定电压: 250V AC DC
Voltage rating: 250V AC DC
- ◆ 额定电流: 7.0A AC DC
Current rating: 7.0A AC DC
- ◆ 耐压值: 1500V AC/minute
Withstand voltage: 1500V AC/minute
- ◆ 绝缘电阻: 1000MΩ MIN
Insulation resistance: 1000MΩ MIN
- ◆ 接触电阻: 0.02Ω MAX(初始值)
Contact resistance: 0.02Ω MAX(Initial)
- ◆ 工作温度: -25°C~+85°C
Working Temperature: -25°C~+85°C
- ◆ 间距: 3.96 mm
Pitch: 3.96 mm

■ 材料 (MATERIAL)

- ◆ 绝缘体: 尼龙66
Insulator: PA66
- ◆ 接触针: 黄铜
Contact PIN: Brass

		new		2015/5/3	A	
ECN BO.		DESCRIPTION.		DATE.	REV.	
DESIGNED	CHECKED	APPROVAL	DRAWING NUMBER	SCALT: 1/2		SCALE: 3:1
Mikey	Tom	Jerry	PART NAME	9396WV-06	UNLESS OTHERWISE SPECIFIED, TOLERANCE:	X. ±0.25
			MODEL NAME	9396WV-06		X.x ±0.20
			3RD ANGLE PROJ	HANYONES TECH CO.,LTD		X.xx ±0.15
						ANGULAR ±3'
						FILE. NO.