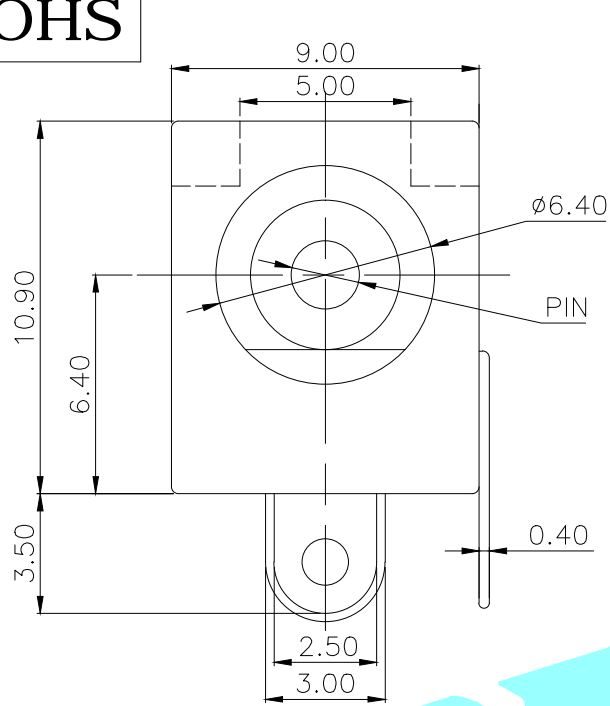
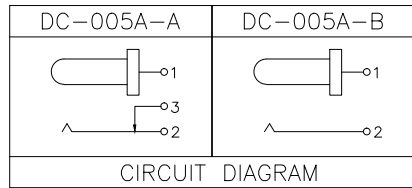
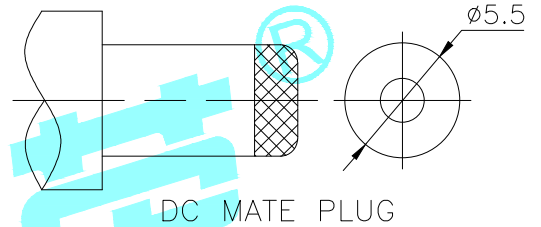
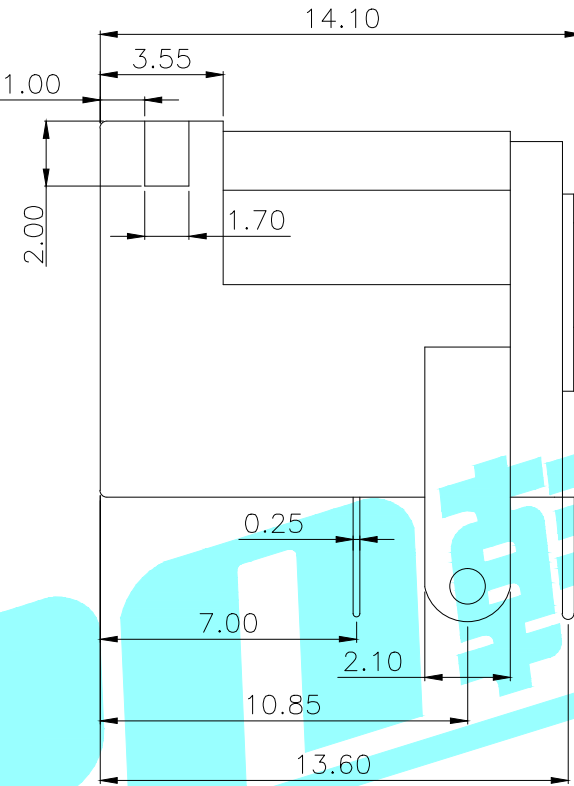
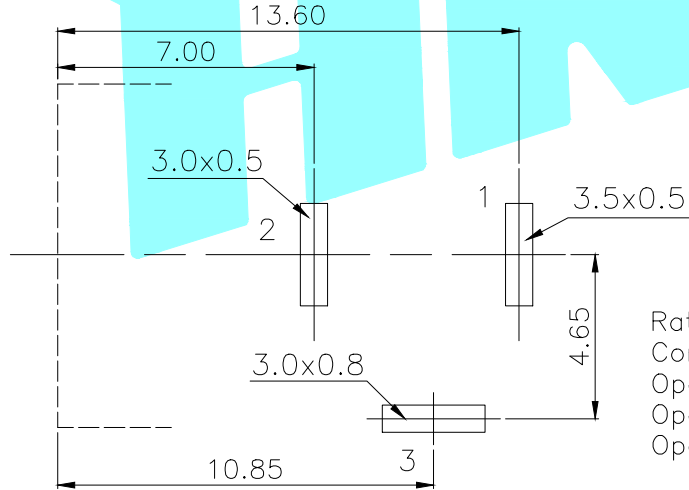


ROHS



P.C.B LAYOUT(Copper-side view)



Model No.	1	2	3
PIN	φ2.0	φ2.35	φ2.5

Rating:0.5A 30V DC
 Contact Resistance:100 mΩ Max.
 Operating temperature:-20℃~70℃
 Operating force:3-20N
 Operating Life:5,000cycles

③	Terminal	—	3	Phosphor bronze	—	—
②	Cover	—	1	PBT	—	—
①	Housing	—	1	Nylon	Black	—
ITEM	PART NAME	TER'NO.	QTY.	MATERIAL	FINISHING	REMARK

APPROVALS		DATE		 ELECTRONICS CO.,LTD			
DRAWN	J.X.Zhang	2013/11/11					
CHECKED				TITLE:	PHONE JACKES		
APPROVALS				PART NO.	DC-005A		
TOLERANCES ARE		30~以上	±0.30	ANGLE	UNIT: mm	SCALE: 1:1	
		10~30	±0.20		DRAWING NO.	—	PROJ: SHEET 1 OF 1
		5~10	±0.15				
		~ 5	±0.10	±2'			

ECN NO.	REV.	DATE.	NEW	CHANGE.	CHECK.	APPRO.
	A					
DESCRIPTION.						