

Pin Number	Signal Name	Description
1	VBUS	Power
2	D-	USB2.0 differential pair
3	D+	
4	GND	Ground for power return
5	StdA_SSRX-	SuperSpeed receiver differential pair
6	StdA_SSRX+	
7	GND_DRAIN	Ground for signal return
8	StdA_SSTX-	SuperSpeed transmitter differential pair
9	StdA_SSTX+	
Shell	Shield	Connector metal shell

USB3.0 Standard-A Connector  
Pin Assignments

NOTES:

1.MATERIAL:

HOUSING: THERMOPLASTIC, GLASS FIBER FILLED, HALOGEN FREE, UL94-HB, COLOR: BLUE.

COVER: THERMOPLASTIC, GLASS FIBER FILLED, HALOGEN FREE, UL94-HB, COLOR: BLUE.

USB2.0 CONTACT: COPPER ALLOY.

USB3.0 CONTACT: COPPER ALLOY.

SHELL: STAINLESS STEEL.

2.FINISH:

CONTACT:

SELECTIVE GOLD(Au) IN CONTACT AREA(SEE TABLE)

SELECTIVE MATTE TIN(Sn) ALLOY IN SOLDER TAIL

AREA THICKNESS=120 MICROINCH MINIMUM.

NICKEL(Ni) OVERALL THICKNESS=80 MICROINCH MINIMUM.

SHELL:NICKEL(Ni) OVERALL THICKNESS=30 MICROINCH

MINIMUM.

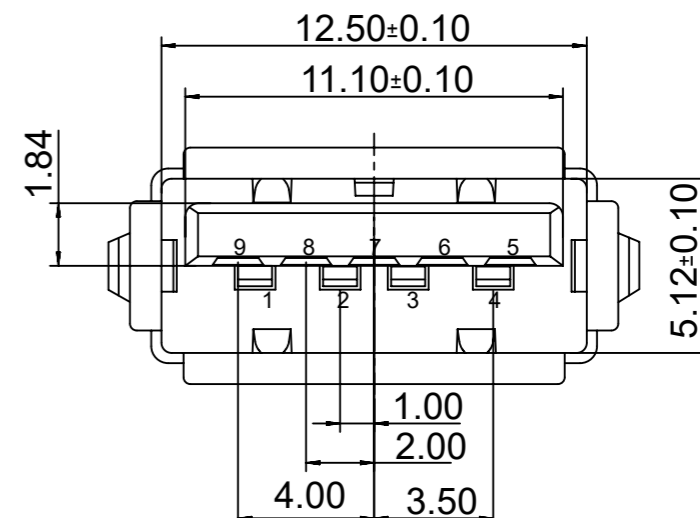
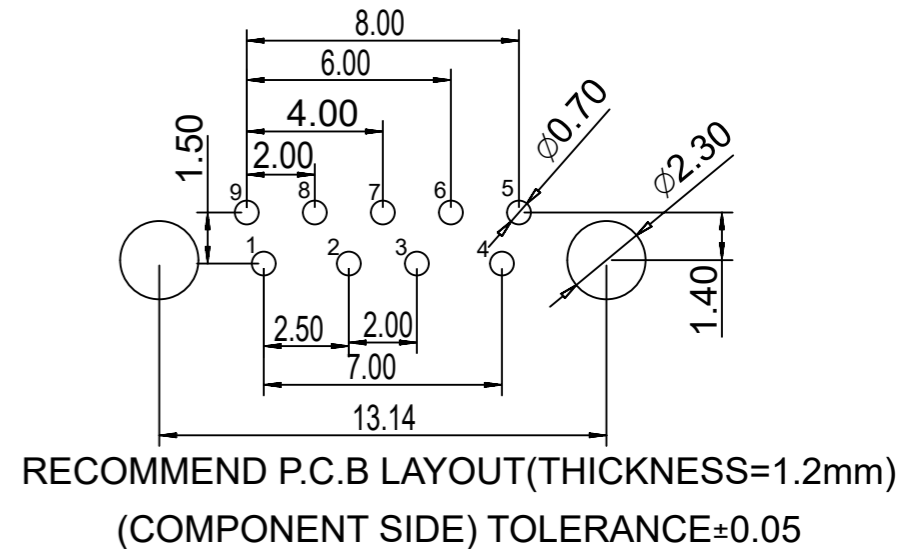
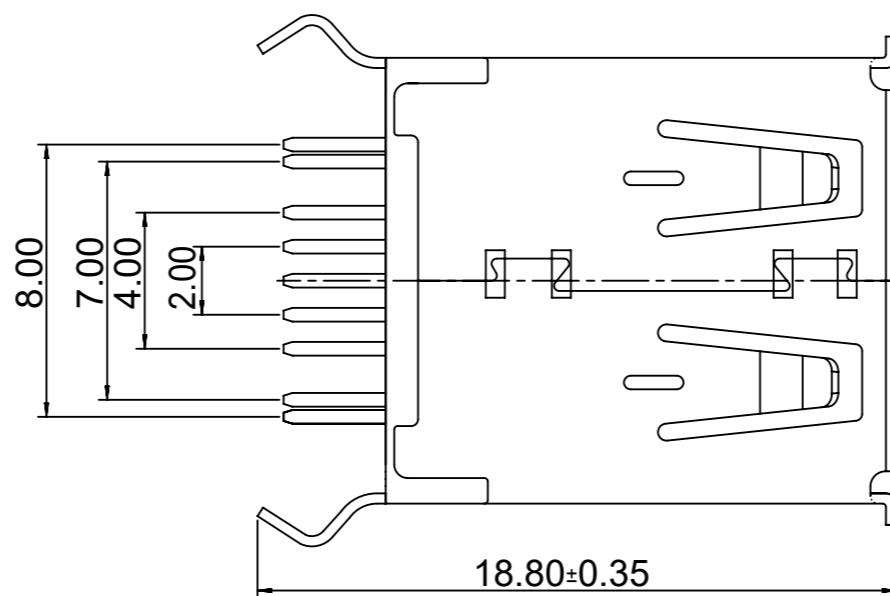
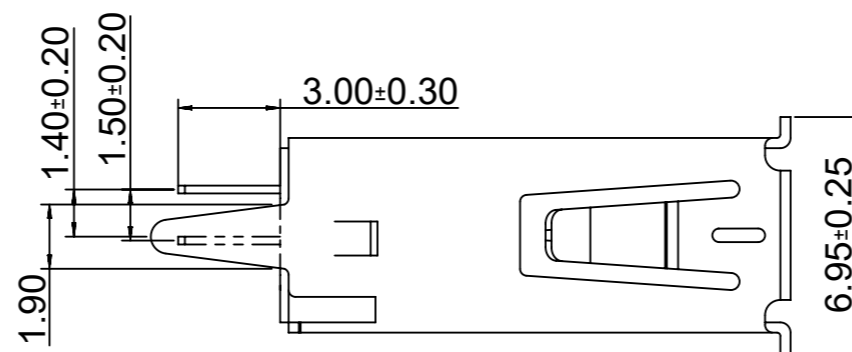
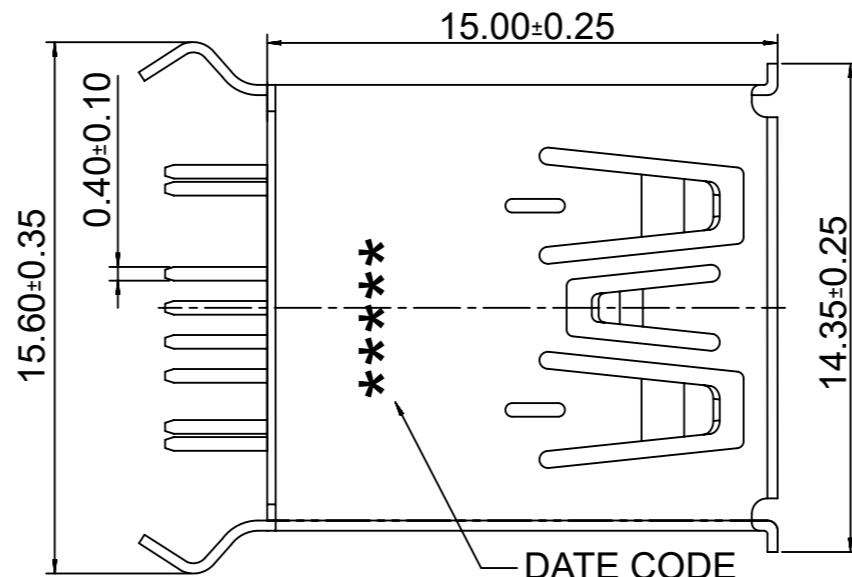
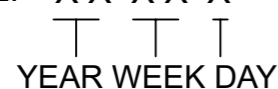
3. PRODUCT SPECIFICATION REFERS TO PS-48408-001

4. PACKAGE SPECIFICATION REFERS TO PK-48408-001

5. TEST SUMMARY REFERS TO TS-48408-001

6. LEAD FREE AND RoHS COMPLIANT PRODUCT.

7. DATE CODE: X X X X X



TABLE

PLATING	P/N
15u" Au	48408-0003

THIS DRAWING CONTAINS INFORMATION THAT IS PROPRIETARY TO MOLEX ELECTRONIC TECHNOLOGIES, LLC AND SHOULD NOT BE USED WITHOUT WRITTEN PERMISSION									
DIMENSION UNITS		SCALE		CURRENT REV DESC: OBSOLETE PART NUMBERS AS PER PCN#508521					
		1:1							
GENERAL TOLERANCES (UNLESS SPECIFIED)				<p><b>molex</b></p> <p>USB3.0 A TYPGE,T/H VERTICAL</p> <p>PRODUCT CUSTOMER DRAWING</p>					
		MM INCH							
4 PLACES	±	±							
3 PLACES	±	±							
2 PLACES	±	0.2	±						
1 PLACE	±	0.25	±	EC NO: 667388		2021/04/20			
0 PLACES	±	±		DRWN: SKANDB		2021/07/05			
ANGULAR TOL ± 3.0°				CHK'D: GGA		2021/07/05			
DRAFT WHERE APPLICABLE MUST REMAIN WITHIN DIMENSIONS				APPR: RZHANG		2013/09/22			
THIRD ANGLE PROJECTION		DRAWING		SERIES		MATERIAL NUMBER		CUSTOMER	
		A3-SIZE		48408		SEE TABLE		GENERAL MARKET	
						DOCUMENT NUMBER		DOC TYPE DOC PART REVISION	
						SD-48408-001		PSD 001 B	
						SHEET NUMBER		1 OF 1	