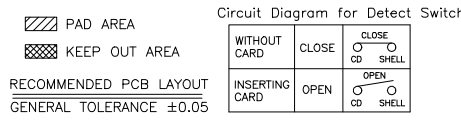
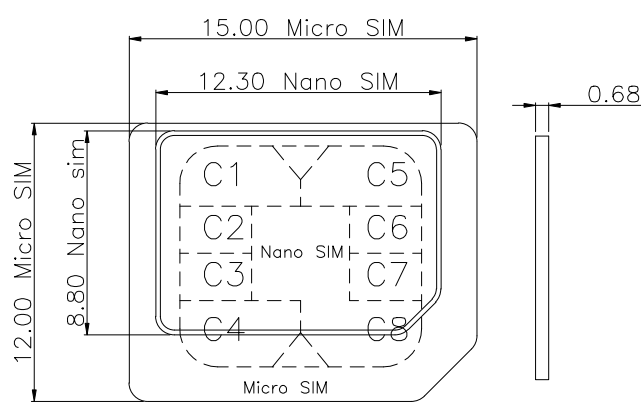
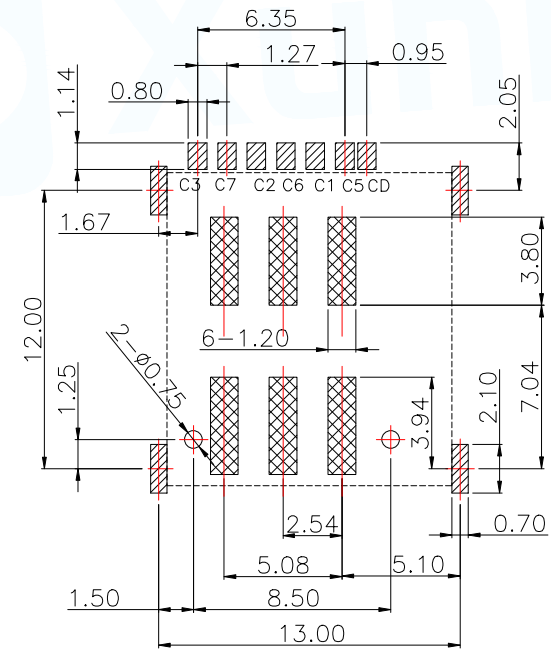
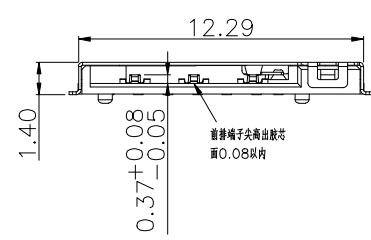


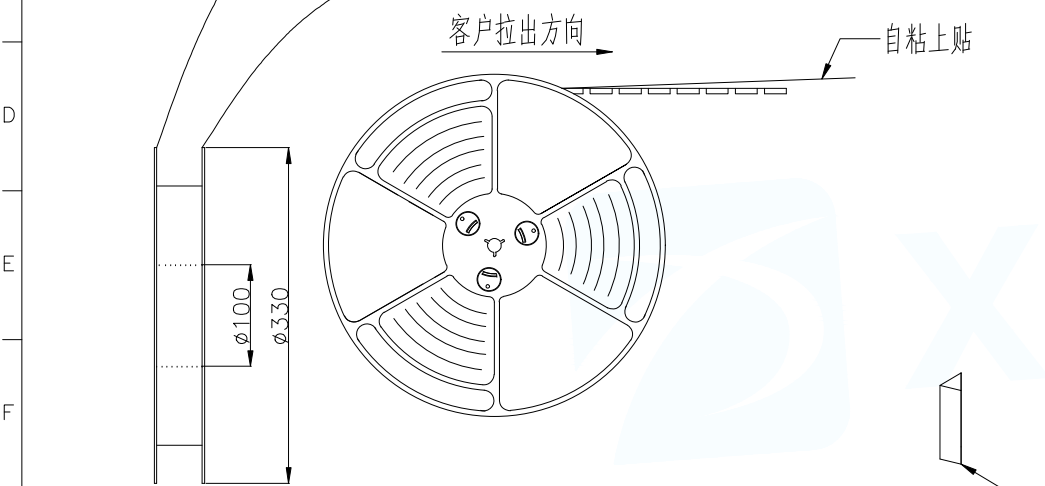
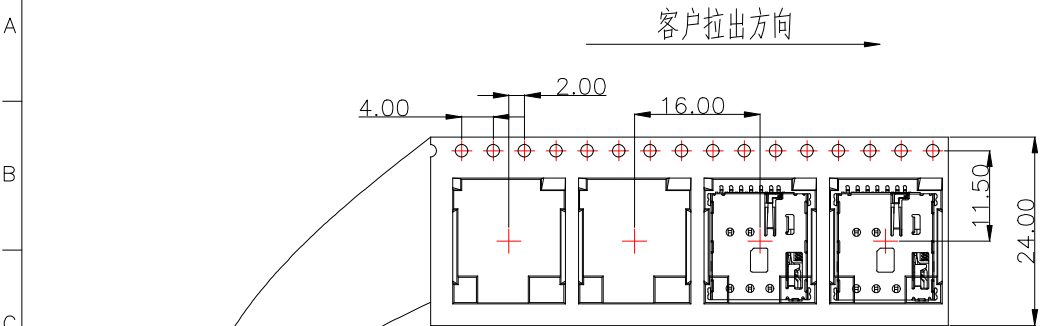
NANO SIM CARD	
Pin No.	NAME
C1	VCC OF SIM
C2	RST OF SIM
C3	CLK OF SIM
C5	GND OF SIM
C6	VPP OF SIM
C7	I/O OF SIM
C4/C8	N/A
CD	DETECTION SWITCH



- 1) MATERIAL:
HOUSING:LCP S475 UL 94V-0
CONTACT:C5210R-H
SHELL:SUS304-H
- 2) FINISH:
CONTACT:GOLD FLASH PLATED ON CONTACT AREA;
GOLD FLASH PLATED ON SOLDER TAILS,
- 3) ELECTRICAL CHARACTERISTICS
RATING CURRENT : 0.5A MAX.
CONTACT RESISTANCE :50 mΩ MAX
DIELECTRIC WITHSTANDING : 500V AC MIN.
INSULATION RESISTANCE: 1000 MΩ MIN.
- 4) MECHANICAL CHARACTERISTICS
MATING CYCLE :3000 CYCLES

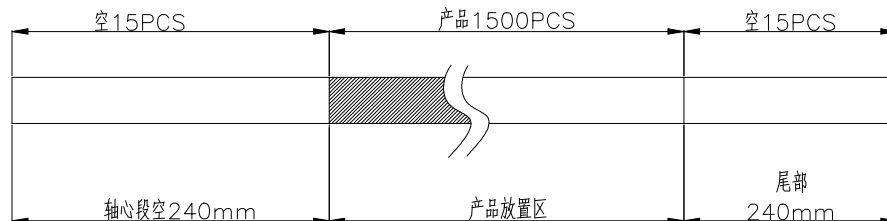
ITEM	DESCRIPTION	MATERIAL	FINISH	Q'TY
⑥	HOOK	SUS304	NO PLATING	1
⑤	SPRING	SUS	NO PLATING	1
④	SLIDE	PA46	GLASS FILLED(OR EQUAL), UL 94V-0, BLACK	1
③	SHELL	STAINLESS STEEL	GOLD FLASH PLATED ON SOLDER TAIL AREA. NICKEL 30~100u" UNDER PLATED OVER ALL	1
②	TERMINAL	COPPER ALLOY	GOLD PLATED ON CONTACT AREA"A" SEE "PLATED CODE NOTE" GOLD FLASH PLATED ON CONTACT AREA"B" AND SOLDER TAIL AREA NICKEL 50~150u" UNDER PLATED OVER ALL	1
①	HOUSING	LCP	S475 UL 94V-0	1

MANUFACTURE DWG				
UNLESS OTHERWISE SPECIFIED TOLERANCES			TITLE:6+1PIN 1.37H PUSH NANO SIM CARD CONN.	
DECIMALS:	ANGLES:		PAR	SMN-303
X.:±0.50	X'.:±2'		DWN	
X.X:±0.20	X.X':±1'	CHKD		
X.XX:±0.10		APVD		
CUSTOMER COPY		SCALE1:1	UNIT:MM	
		SIZE:A4	SHEET:1F1	REV:A



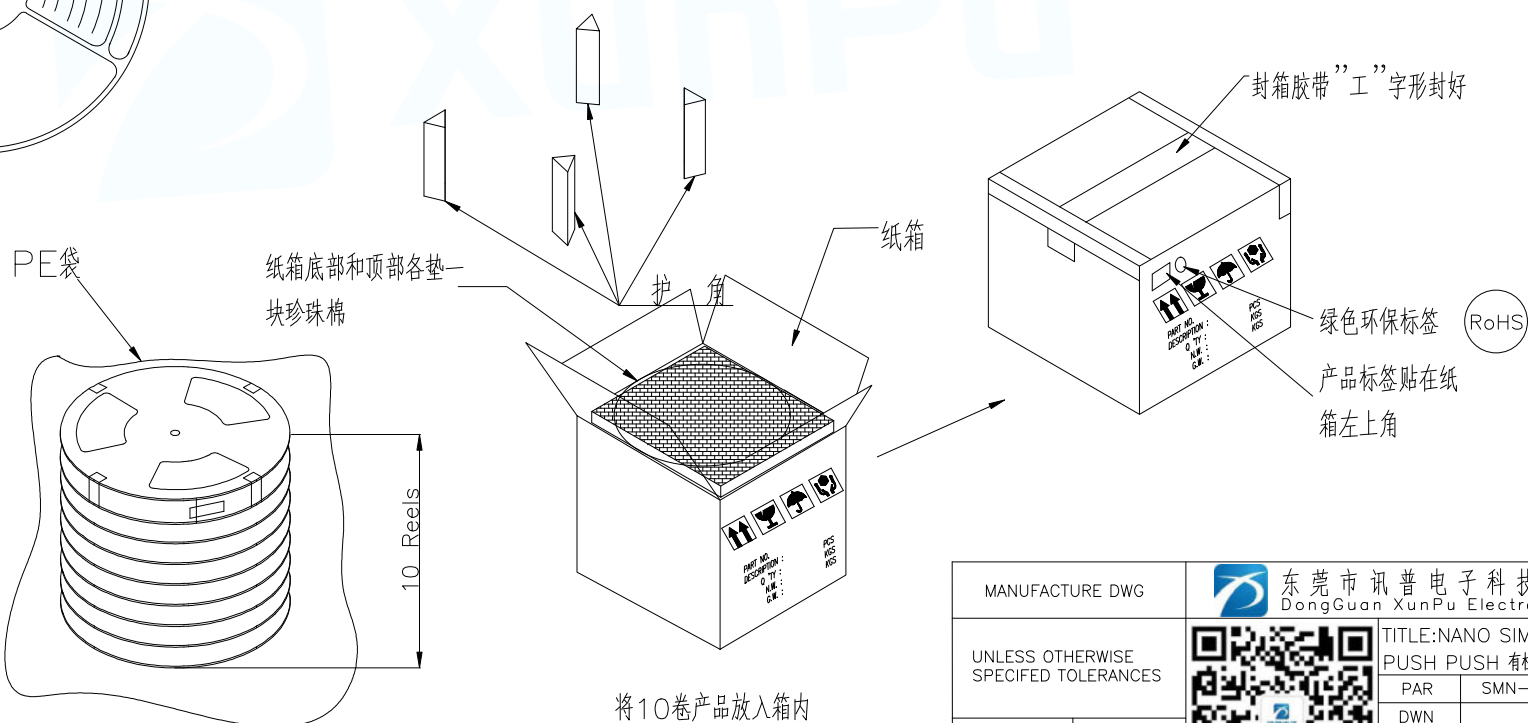
NOTES

1. 每卷包装数量: 1500PCS/每卷
2. 卷带包装方式:



3. 每箱包装数量: 15000PCS/箱

4. 纸箱350mm*350mm*340mm(内部尺寸), 材质K=K



将10卷产品放入箱内

MANUFACTURE DWG		 东莞市讯普电子科技有限公司 DongGuan XunPu Electronics Co.,Ltd	
UNLESS OTHERWISE SPECIFIED TOLERANCES			TITLE: NANO SIM CARD 1.37H PUSH PUSH 有柱 包装图
DECIMALS:	ANGLES:		PAR SMN-303
X.: ±0.50	X'.: ±2°		DWN
X.X: ±0.20	X.X': ±1°		CHKD
X.XX: ±0.10		APVD	SCALE: 1:1 UNIT: MM
CUSTOMER COPY		SIZE: A4	SHEET: 2F2 REV: A