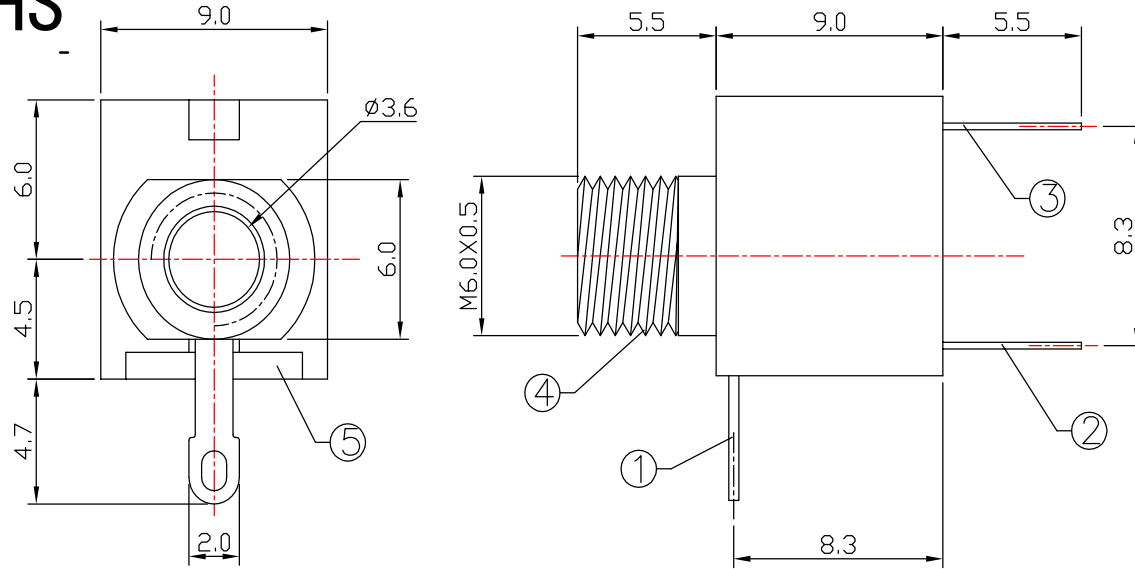
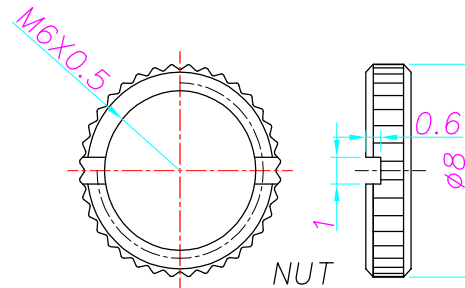
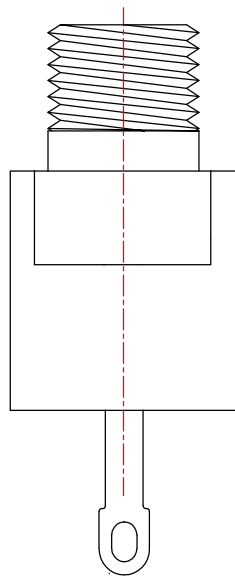
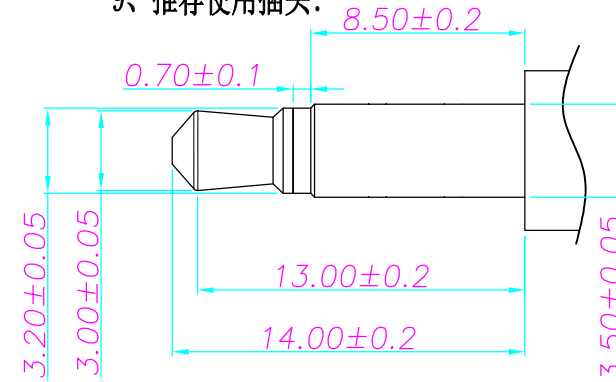


ROHS



技术要求

- 1、插入力: 3~30N(0.3~3.0kgf)
- 2、拔出力: 3~30N(0.3~3.0kgf)
- 3、接触电阻: $\leq 50\text{m}\Omega$
- 4、绝缘电阻: $>100\text{M}\Omega$ DC 500V
- 5、耐电压: AC 500V 1min无飞弧及击穿
- 6、寿命: 5000 10~20次/min
- 7、额定负载: DC 30V 3A
- 8、适用温度范围: $-25\sim 85^\circ\text{C}$
- 9、推荐使用插头:



SCHEMATIC

Model NO.	JQ-PJ-3001M
Schematic	

—		new		2015/5/3	A		
ECN BO.		DESCRIPTION.		DATE.	REV.		
DESIGNED	CHECKED	APPROVAL	DRAWING NUMBER	SCALT: 1/2		SCALE: 3:1	
Mikey	Tom	Jerry	PART NAME	PJ-301M	UNLESS OTHERWISE SPECIFIED, TOLERANCE:	X. ±0.25	
			MODEL NAME	PJ-301M		X.x ±0.20	
			3RD ANGLE PROJ	HANYONES TECH CO.,LTD		X.xx ±0.15	
						ANGULAR ±3'	
						FILE. NO.	