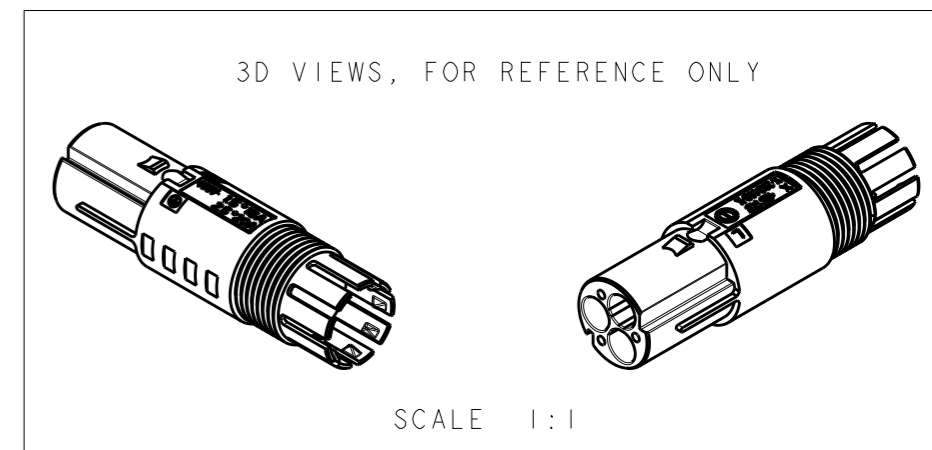
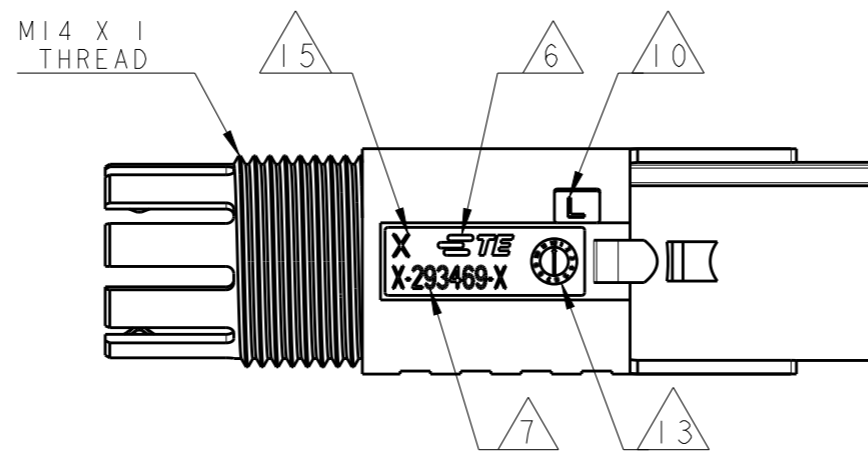
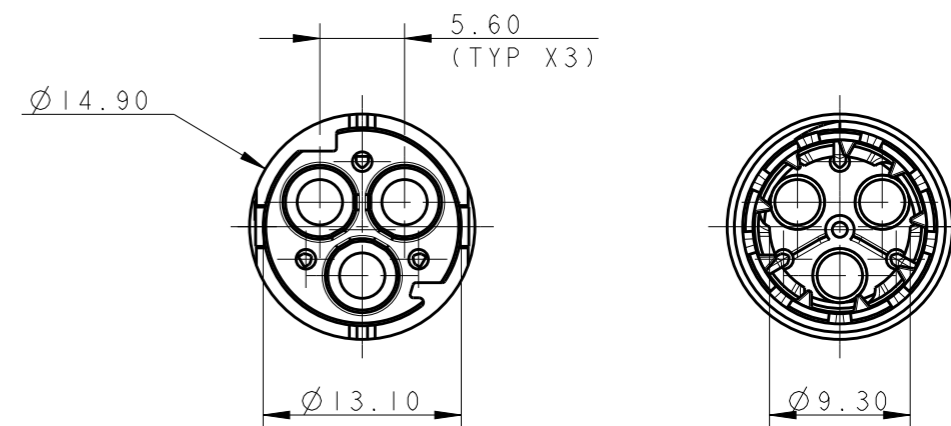
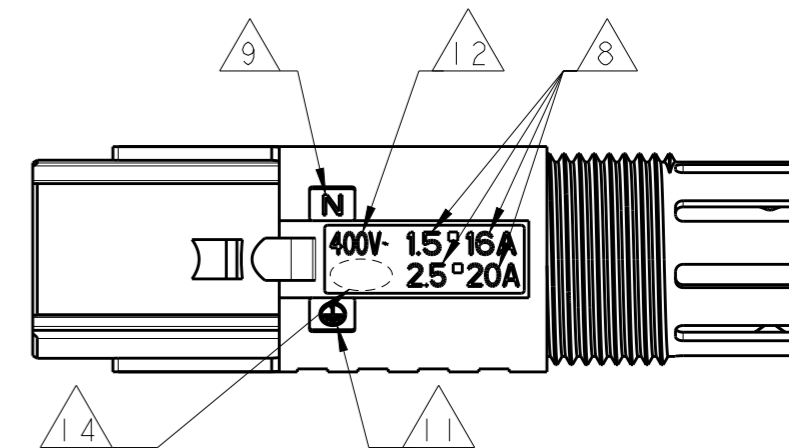
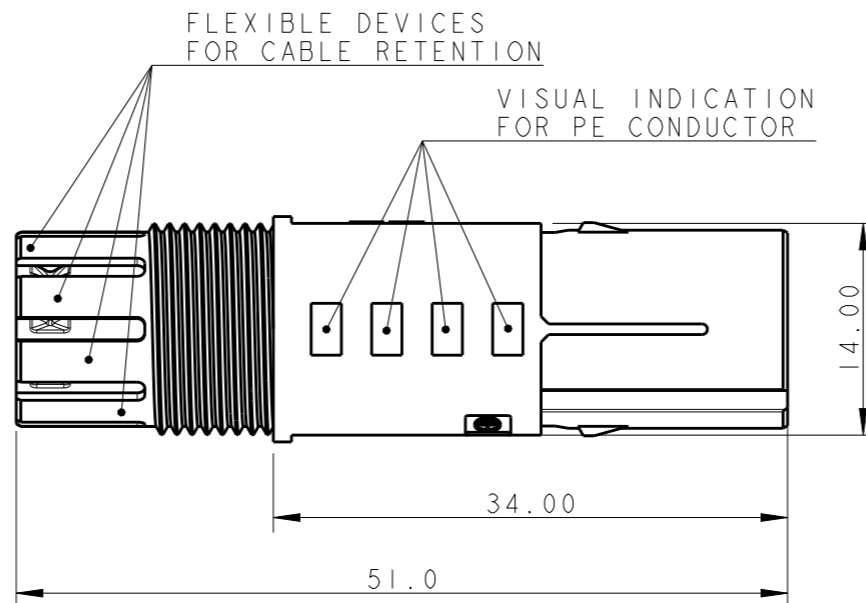


THIS DRAWING IS UNPUBLISHED. RELEASED FOR PUBLICATION 2010
 © COPYRIGHT 2010 Tyco Electronics AMP GmbH ALL RIGHTS RESERVED.


| LOC | DIST | REVISIONS | | | |
|-----|------|--|-----------|-----|------|
| P | LTR | DESCRIPTION | DATE | DWN | APVD |
| | G1 | REVISED MARKINGS | 05NOV2012 | MZ | JC |
| | G2 | PARTS -2, -3, 1-2, 1-3 RELEASED FOR PRODUCTION | 26JUN2013 | KR | JC |
| | G3 | REVISED PART NUMBERS | 21JUL2017 | SK | ZM |
| | G4 | REVISED PER ECR-18-006945 | 20SEP2018 | SR | MZ |

NOTES:

- 1) MATERIAL: POLYAMIDE GLASS FILLED
COLOUR NATURAL
- 2) MATERIAL: POLYAMIDE GLASS FILLED
COLOUR BLACK
- 3) NET WEIGHT: ~4.8 g
- 4) VOLUME: ~3450 mm³
- 5) PACKAGING: SEE TE PACKAGING SPECIFICATION
107-20294
- 6) TE LOGO
- 7) TE PART NUMBER
- 8) CONDUCTOR SIZE AND CURRENT RATING
- 9) N CODE
- 10) L CODE
- 11) PE CODE
- 12) RATED VOLTAGE
- 13) DATE CODE
- 14) AREA FOR AGENCY APPROVAL LOGO
- 15) CAVITY MOULD ID
- 16) PART NOT YET TOOLED AND RELEASED
FOR PRODUCTION



17) FOR CABLE TYPE AND CABLE RANGE REFER TO CUSTOMER DRAWING 293607

| | | | | |
|--|--|----------------------------|---|---------------------|
| THIS DRAWING IS A CONTROLLED DOCUMENT. | | DWN M. ZUCCA 06OCT2009 |  TE Connectivity | |
| DIMENSIONS: mm | | CHK M. ZUCCA 06OCT2009 | | |
| TOLERANCES UNLESS OTHERWISE SPECIFIED: | | APVD G. TURCO 06OCT2009 | NAME PIN HOUSING FREE HANGING NECTOR* M-LINE 3 POSITIONS UNSEALED VERSION | |
| 0 PLC ±0.3 | | PRODUCT SPEC 108-20304 | SIZE A3 | |
| 1 PLC ±0.20 | | APPLICATION SPEC 114-20152 | CAGE CODE 300779 | DRAWING NO C-293469 |
| 2 PLC ±0.20 | | WEIGHT NOTE 3 | RESTRICTED TO - | |
| 3 PLC ±0.20 | | Customer Drawing | SCALE 2:1 | SHEET 1 OF 2 |
| 4 PLC ±0.20 | | | | REV G4 |
| ANGLES ±3° | | | | |
| FINISH - | | | | |

THIS DRAWING IS UNPUBLISHED.

RELEASED FOR PUBLICATION

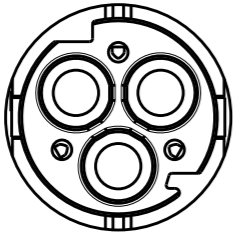
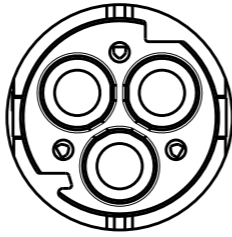
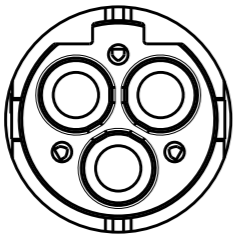
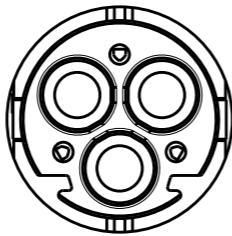
2010

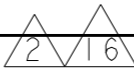







© COPYRIGHT 2010


Tyco Electronics AMP GmbH

ALL RIGHTS RESERVED.

| LOC | DIST | REVISIONS | | | | | |
|-----|------|-----------|-----|-------------|------|-----|------|
| | | P | LTR | DESCRIPTION | DATE | DWN | APVD |
| 1 | - | | | SEE SHEET 1 | - | - | - |

| POLARIZATION TYPES | |
|---|---|
| TYPE "A" | TYPE "B" |
|  |  |
| P/Ns: 0-293469-1, 1-293469-1 | P/Ns: 0-293469-2, 1-293469-2 |
| TYPE "C" | TYPE "D" |
|  |  |
| P/Ns: 0-293469-3, 1-293469-3 | P/Ns: 0-293469-4 , 1-293469-4 |

| TABLE 1 | | | | | | |
|----------|---|-------------|---------|---|------|-----------------------|
| | | | | | | |
| OBSOLETE |  | D | BLACK | PIN HOUSING FREE HANGING VERSION NECTOR* M-LINE | F | 1-293469-4 |
| |  | C | BLACK | PIN HOUSING FREE HANGING VERSION NECTOR* M-LINE | G | 1-293469-3 |
| |  | B | BLACK | PIN HOUSING FREE HANGING VERSION NECTOR* M-LINE | G | 1-293469-2 |
| |  | A | BLACK | PIN HOUSING FREE HANGING VERSION NECTOR* M-LINE | G | 1-293469-1 |
| OBSOLETE |  | D | NATURAL | PIN HOUSING FREE HANGING VERSION NECTOR* M-LINE | F | 0-293469-4 |
| |  | C | NATURAL | PIN HOUSING FREE HANGING VERSION NECTOR* M-LINE | G | 0-293469-3 |
| |  | B | NATURAL | PIN HOUSING FREE HANGING VERSION NECTOR* M-LINE | G | 0-293469-2 |
| |  | A | NATURAL | PIN HOUSING FREE HANGING VERSION NECTOR* M-LINE | G | 0-293469-1 |
| | NOTE | POL. KEYING | COLOUR | DESCRIPTION | REV. | PART NUMBER |

| | | | | |
|--|--|-------------------------------|---|------------------------|
| THIS DRAWING IS A CONTROLLED DOCUMENT. | | DWN M. ZUCCA 06OCT2009 |  TE Connectivity | |
| DIMENSIONS: mm | | CHK M. ZUCCA 06OCT2009 | | |
| TOLERANCES UNLESS OTHERWISE SPECIFIED: | | APVD G. TURCO 06OCT2009 | NAME PIN HOUSING FREE HANGING NECTOR* M-LINE 3 POSITIONS UNSEALED VERSION | |
| 0 PLC ± 1 PLC ±0.3 2 PLC ±0.20 3 PLC ± 4 PLC ± ANGLES ±3° | | PRODUCT SPEC 108-20304 | SIZE A3 | |
| MATERIAL SEE NOTES | | APPLICATION SPEC 114-20152 | CAGE CODE 00779 | DRAWING NO G-293469 |
| FINISH - | | WEIGHT NOTE 3 | RESTRICTED TO - | |
| | | Customer Drawing | SCALE 2:1 | SHEET 2 OF 2 REV G4 |