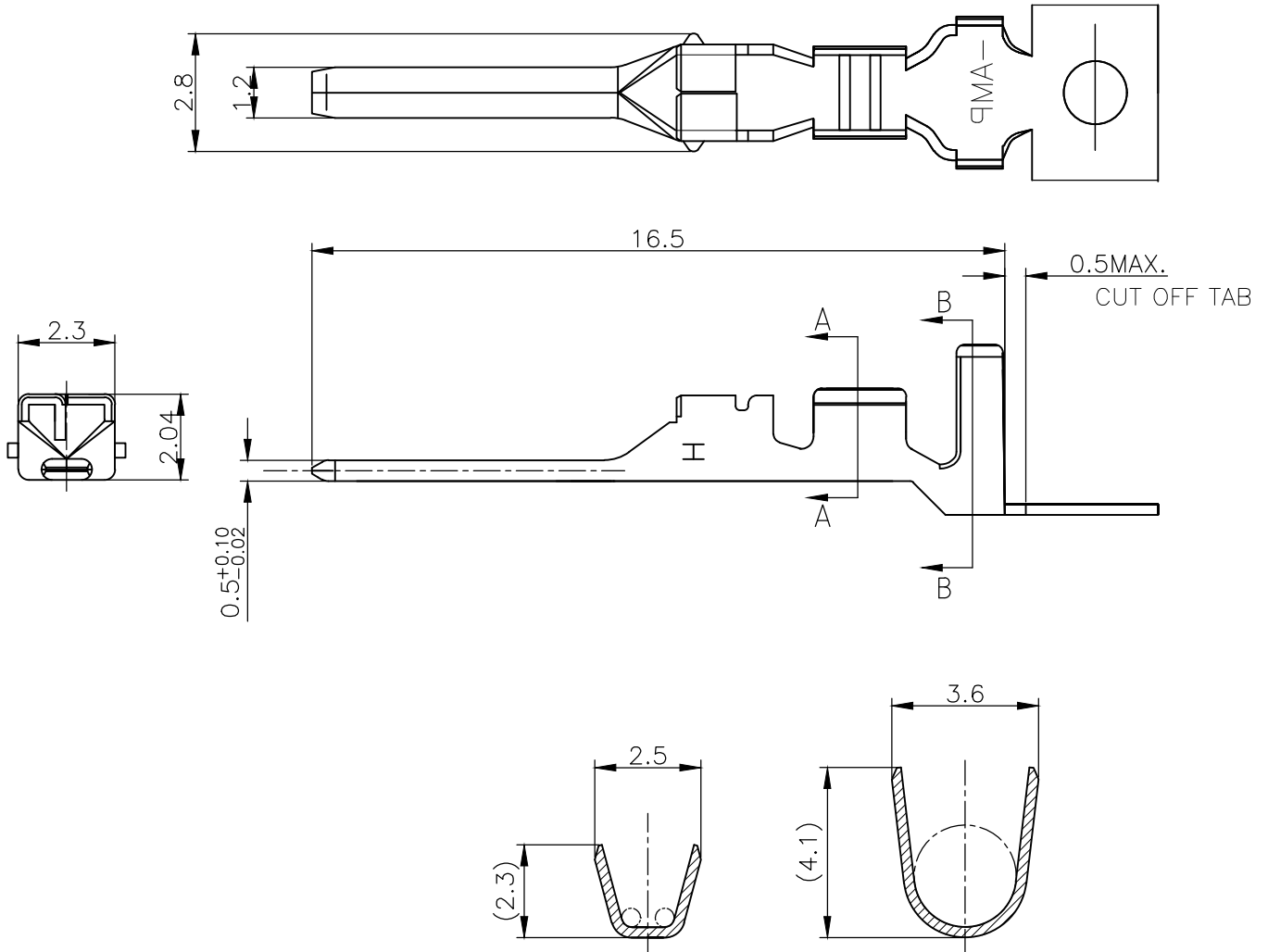


REVISIONS					
P	LTR	DESCRIPTION	DATE	DWN	APVD
	A	REVISED PER ECR-20-100273	11AUG2020	SC	D.Z



注)
 1.一般公差：±0.25
 2.材料：錫めっき済 銅合金

NOTES)
 1.GENERAL TOLERANCE:
 2.MATERIAL:PRE-TIN COPPER ALLOY

1565080-1
PART NUMBER

WIRE RANGE ???????	0.3-0.9mm ² (AWG#22-18)	INSULATION DIA ?????	ø1.5-2.7mm
-----------------------	------------------------------------	-------------------------	------------

DIMENSIONS: ??? ? mm	DWN	A.OISHI	30 MAY.'02
	CHK	M.SHINDO	30 MAY.'02
TOLERANCES UNLESS OTHERWISE SPECIFIED: ????	APVD	M.SHINDO	30 MAY.'02
	PRODUCT SPEC ?????	108-5810	
0 PLC ± - 1 PLC ± - 2 PLC ± - 3 PLC ± - 4 PLC ± - ANGLES ± -	APPLICATION SPEC ???????	114-5306	
	WEIGHT	-	

MATERIAL ??		SEE NOTE	FINISH ??	SEE NOTE
		TE Connectivity		
		NAME ??		
SIZE	CAGE CODE	DRAWING NO ??	RESTRICTED TO	
A4	00779	1565080	-	
CUSTOMER DRAWING		SCALE ??	6:1	SHEET 1 OF 1
				REV A

TE Connectivity. All Rights Reserved.

