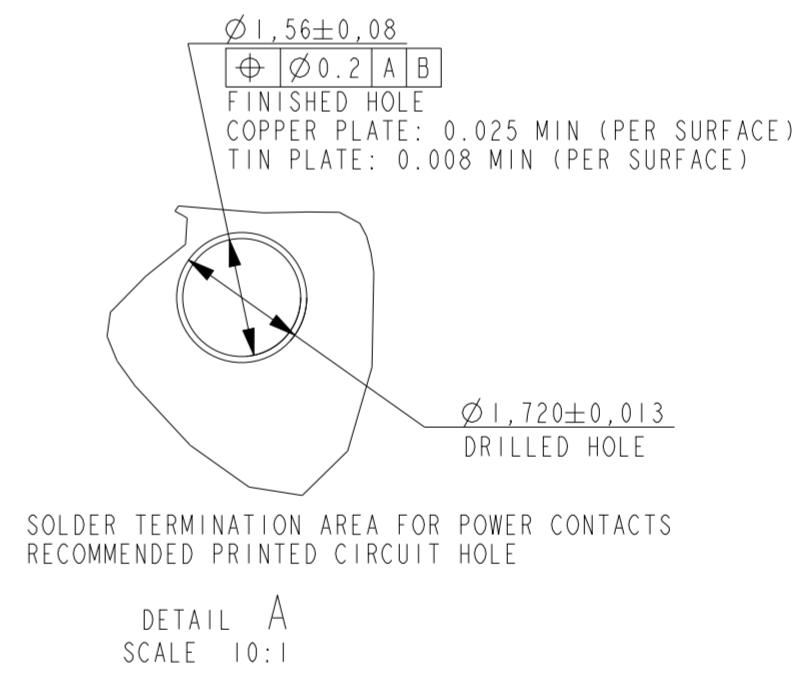
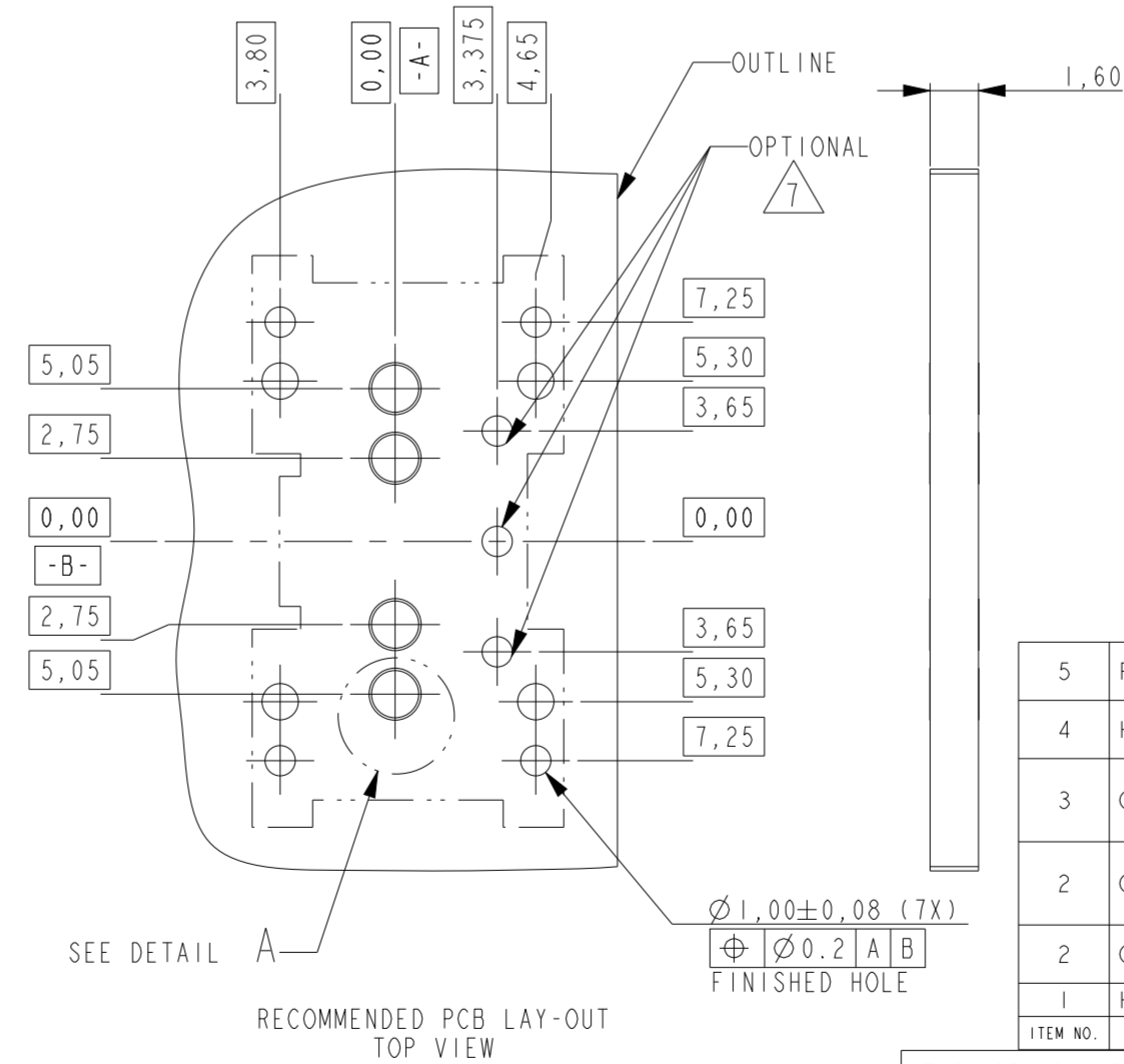
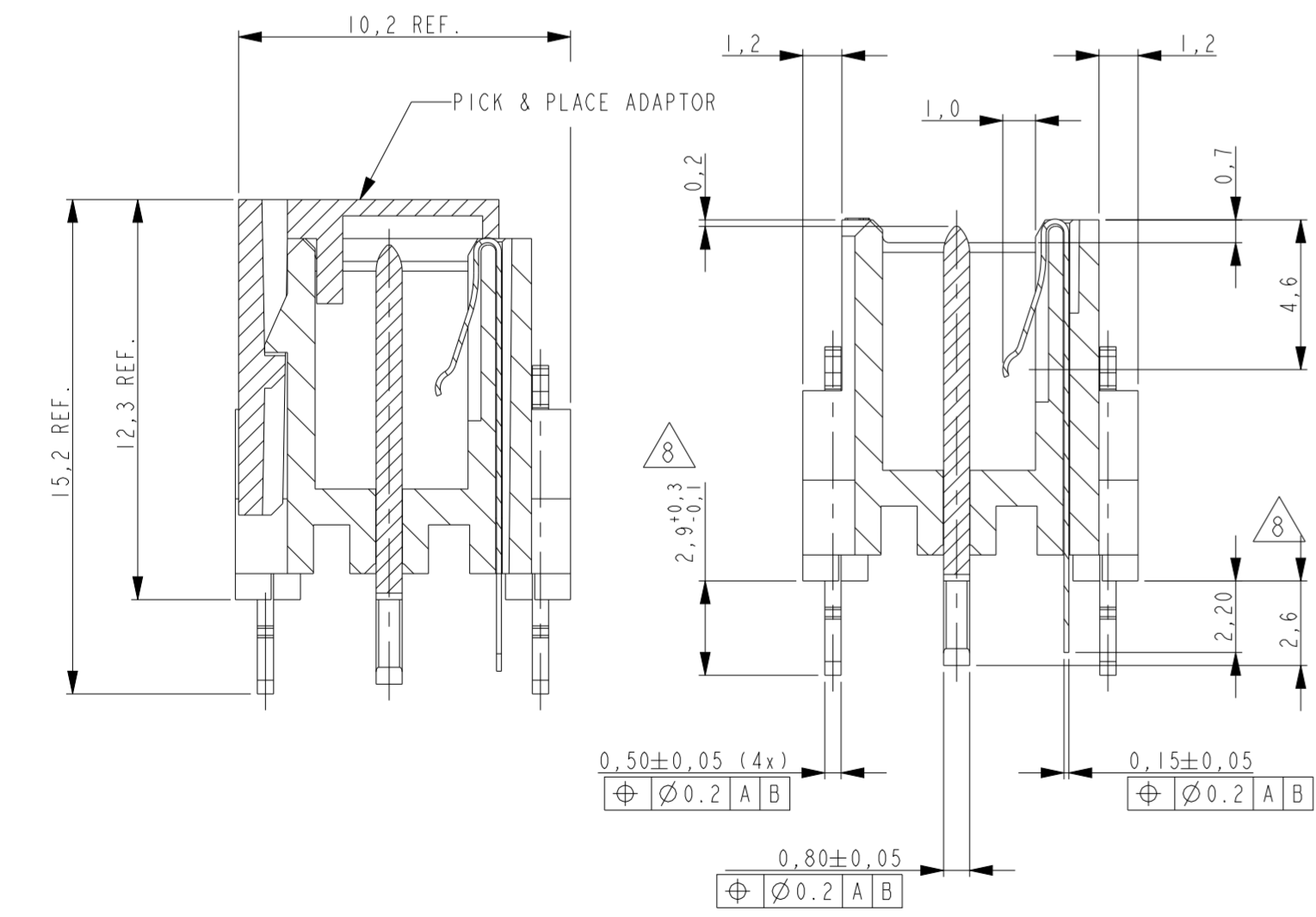
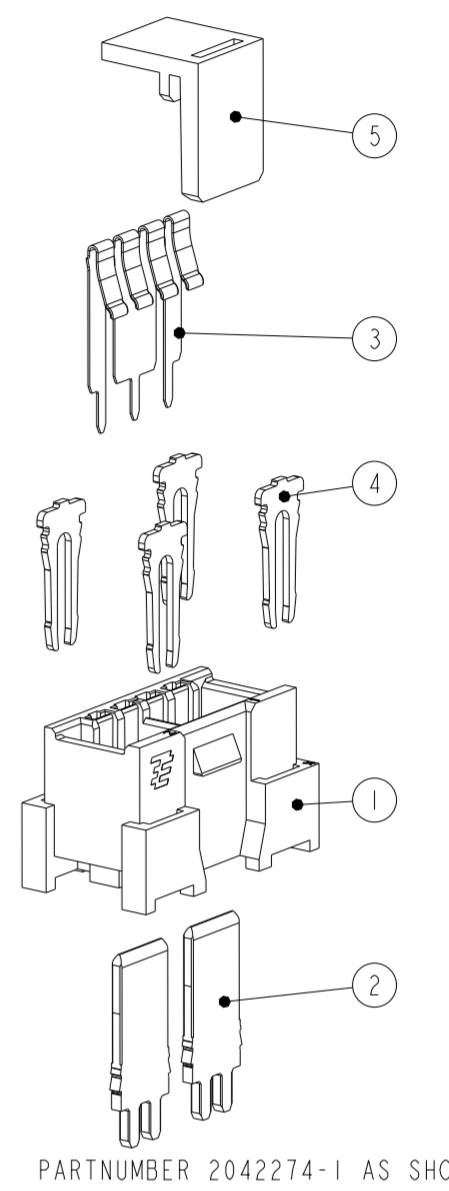
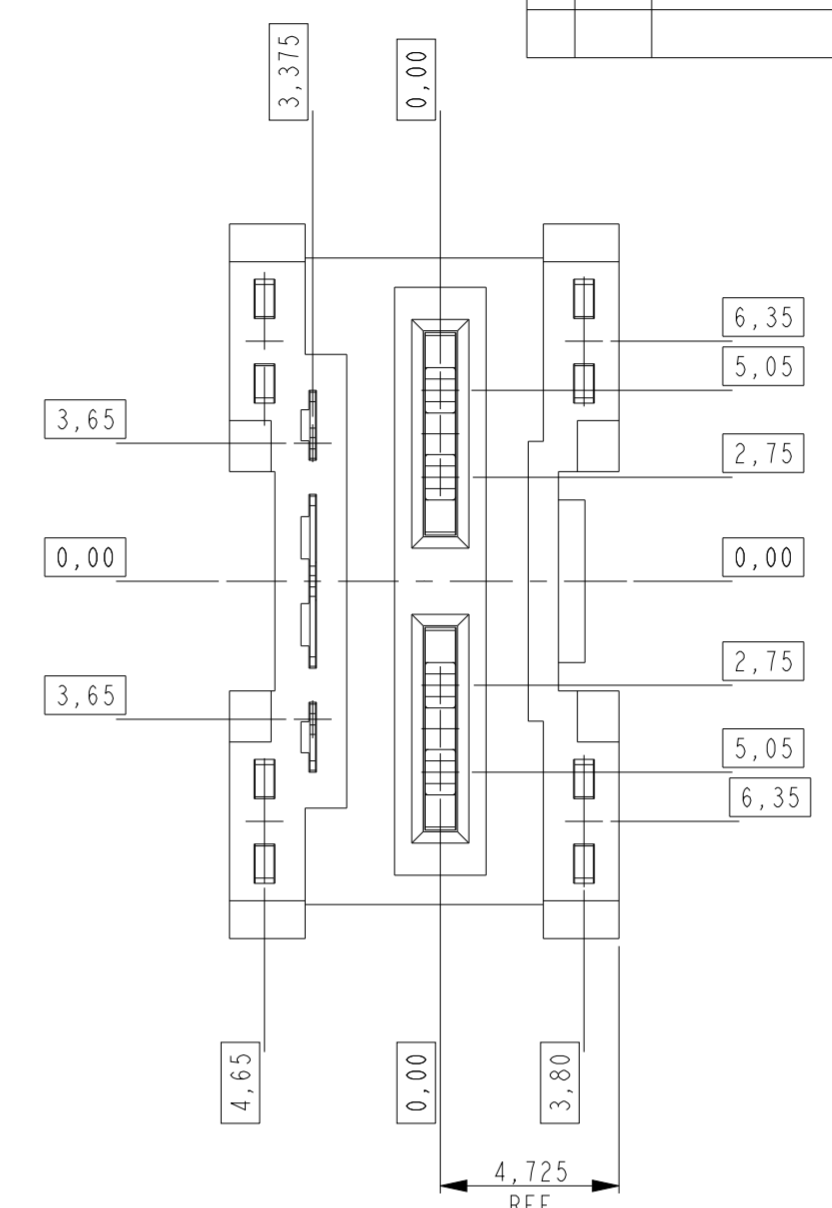
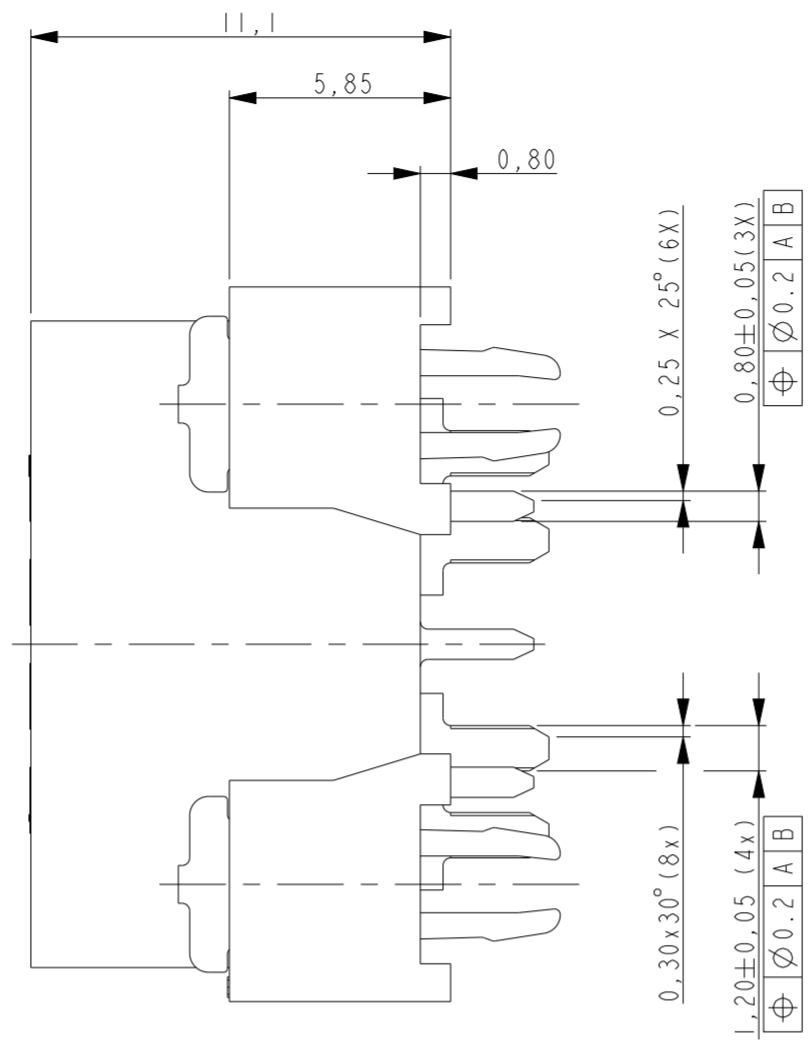
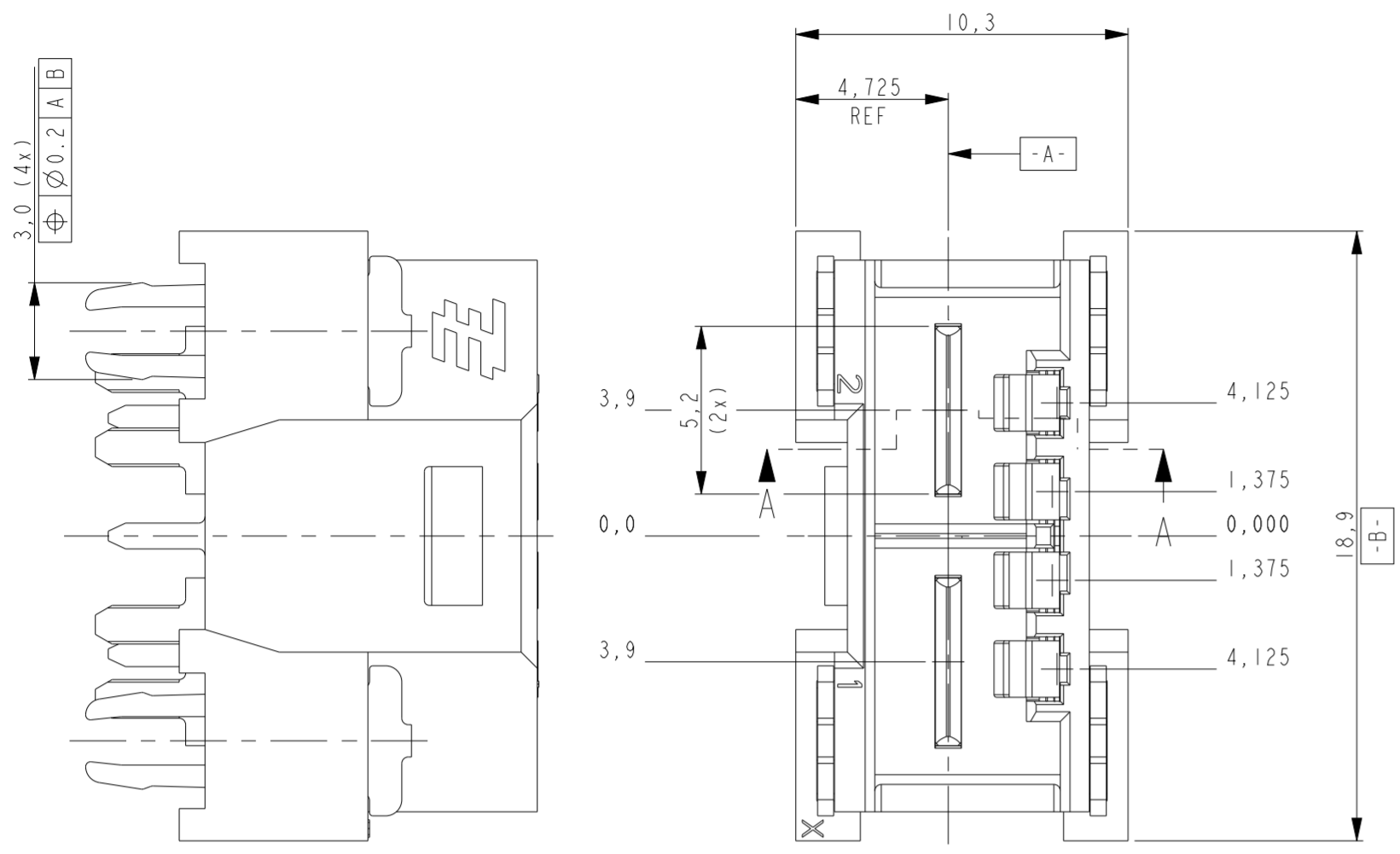


THIS DRAWING IS UNPUBLISHED. RELEASED FOR PUBLICATION
 © COPYRIGHT - TE CONNECTIVITY ALL RIGHTS RESERVED.

LOC		DIST		REVISIONS			
P	LTR	DESCRIPTION	DATE	DWN	APVD		
C9		UPDATE FOR 1-0	12MAR2021	OL	SH		
D		REV PER ECN-21-116040	02SEP2021	OL	SH		



ITEM NO.	DESCRIPTION	MATERIAL	FINISH	QTY	QTY	QTY	QTY	QTY
5	PICK&PLACE ADAPTOR	POLYAMIDE	NA	1	-	1	1	1
4	HOLD DOWN	DIN1544 CK75	5.0 μm Sn MIN OVER 2.5 μm Ni MIN ALL OVER.	4	4	4	4	4
3	CONTACT DETECTION	SOPPER ALLOY	0.8 μm Au MIN. IN CONTACT PLACE, Au FLASH IN SOLDER AREA OVER 1.27μm Ni MIN ALL OVER	-	1	1	-	1
2	CONTACT POWER TAB	COPPER ALLOY	1.2μm Ni MIN. ALL OVER 0.8μm Au MIN AT MATING ZONE Au FLASH AT SOLDER ZONE	-	-	2	-	-
2	CONTACT POWER TAB	COPPER ALLOY	3.0 μm Ag MIN ALL OVER.	2	2	-	2	2
1	HOUSING	LCP GF UL94V-0	NA	1	1	1	1	1

ITEM NO.	DESCRIPTION	MATERIAL	FINISH	QTY	QTY	QTY	QTY	QTY
8	WITHOUT DETECTION CONTACTS			1	-	1	1	1
	WITHOUT ADAPTOR			-	-	-	-	-
	WITH DETECTION CONTACTS			1	1	1	1	1
	WITHOUT DETECTION CONTACTS			1	1	1	1	1
	WITH DETECTION CONTACTS			1	1	1	1	1

NOTE:
 8: TAIL LENGTH FOR 1-2042274-0 REFER TO PAGE 4

THIS DRAWING IS A CONTROLLED DOCUMENT.

DWN: J.VOS 22-Apr-08
 CHK: R.LOKKER 22-Apr-08
 APVD: R.V.D.SANDT

TE Connectivity

ELCON Mini, 2-position header vertical

108-19346
 114-19110

SIZE: A2 CAGE CODE: 00779 DRAWING NO: C-2042274 RESTRICTED TO: D

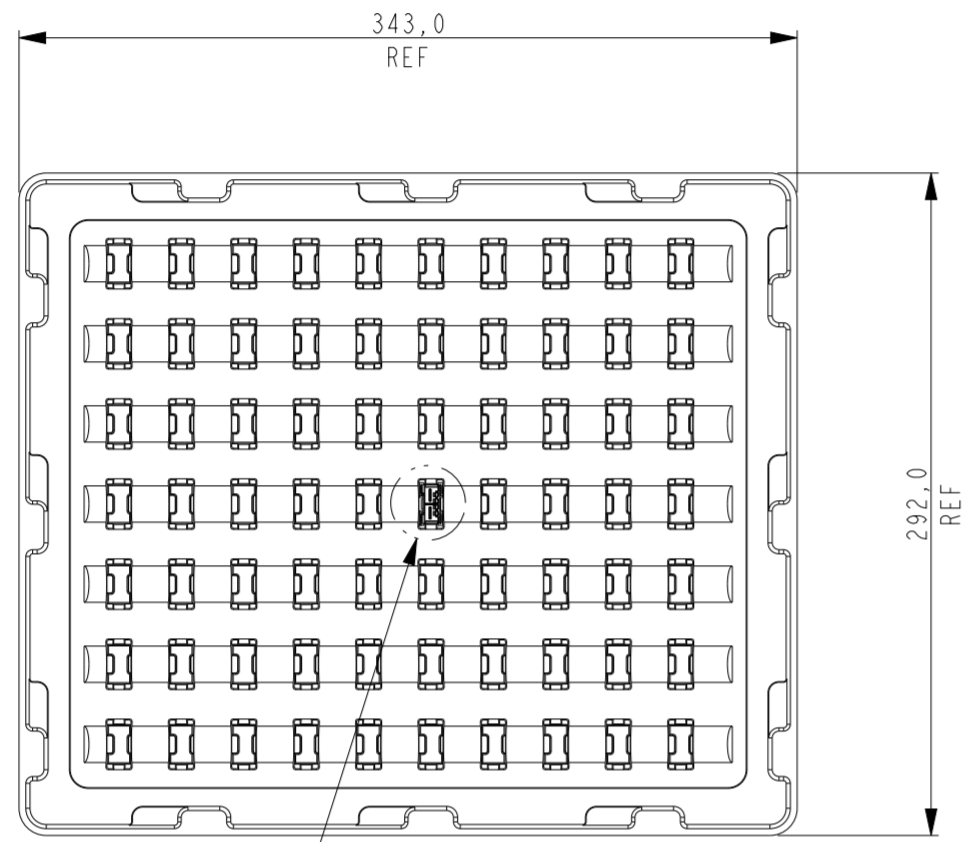
SCALE: 3:1 SHEET: 1 OF 4 REV: D

THIS DRAWING IS UNPUBLISHED. RELEASED FOR PUBLICATION
 © COPYRIGHT - TE CONNECTIVITY ALL RIGHTS RESERVED.

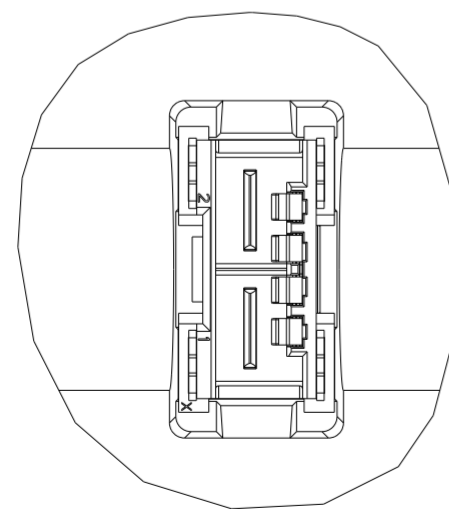
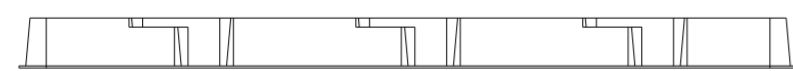
LOC	DIST	REVISIONS			
P	LTR	DESCRIPTION	DATE	DWN	APVD
H	-	SEE SHEET 1	-	-	-

NOTES:

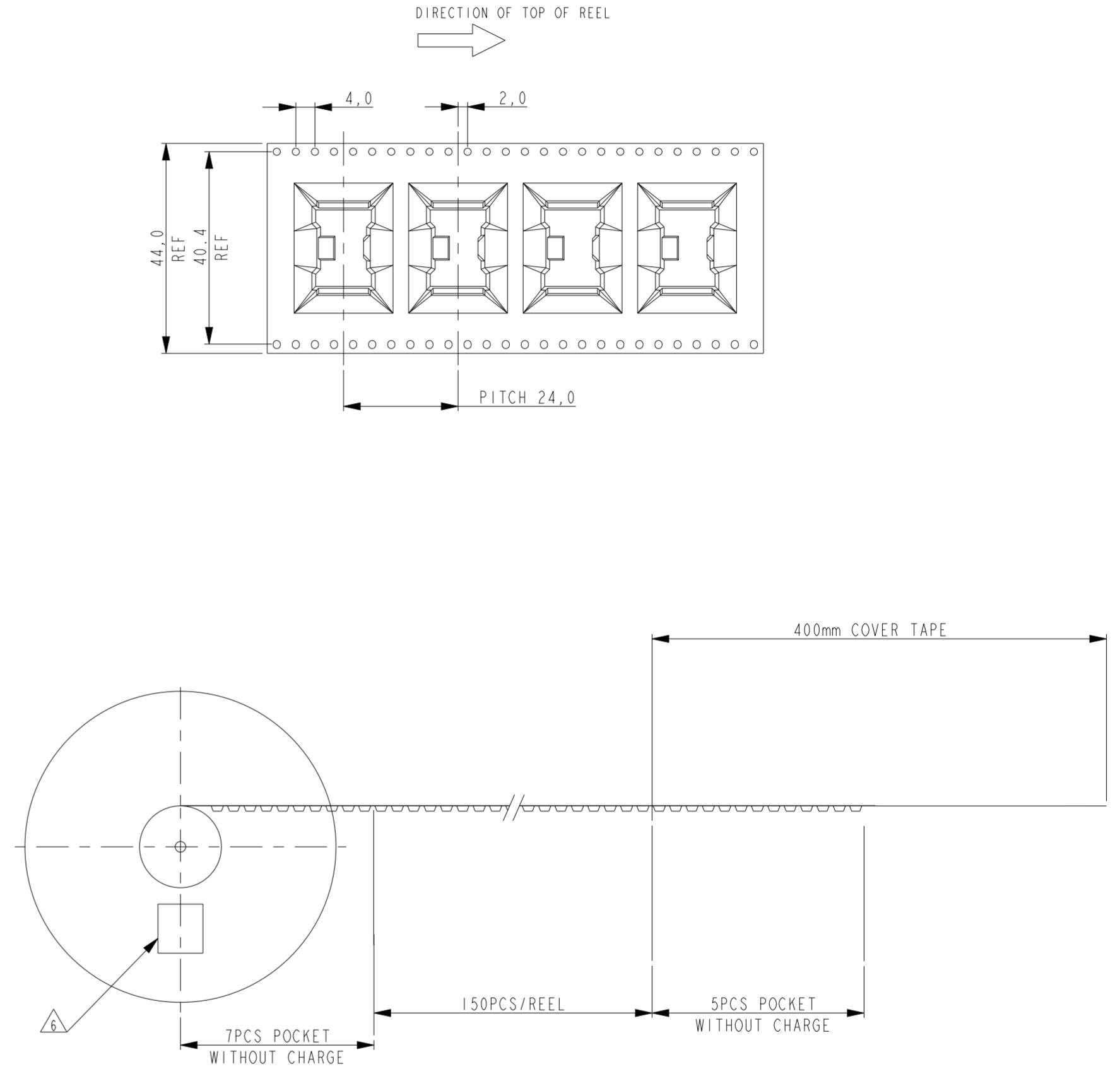
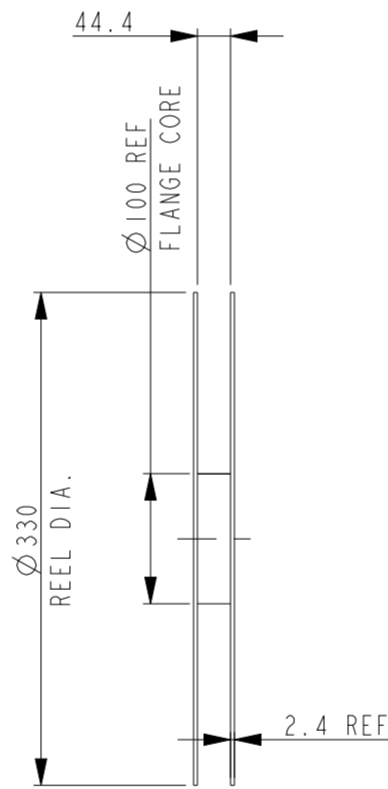
1. TRAY (PN 1961242-1) PACKAGING IS ONLY FOR PN 2042274-5



SEE DETAIL B



DETAIL B



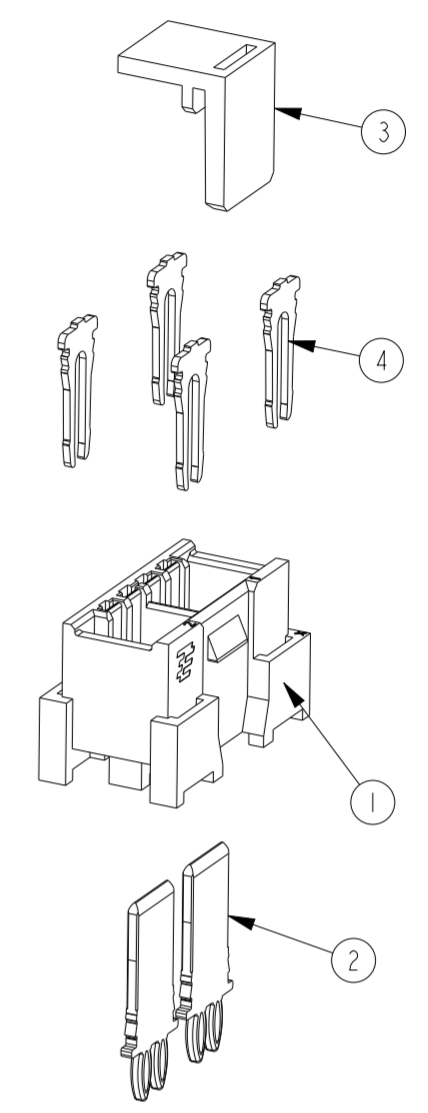
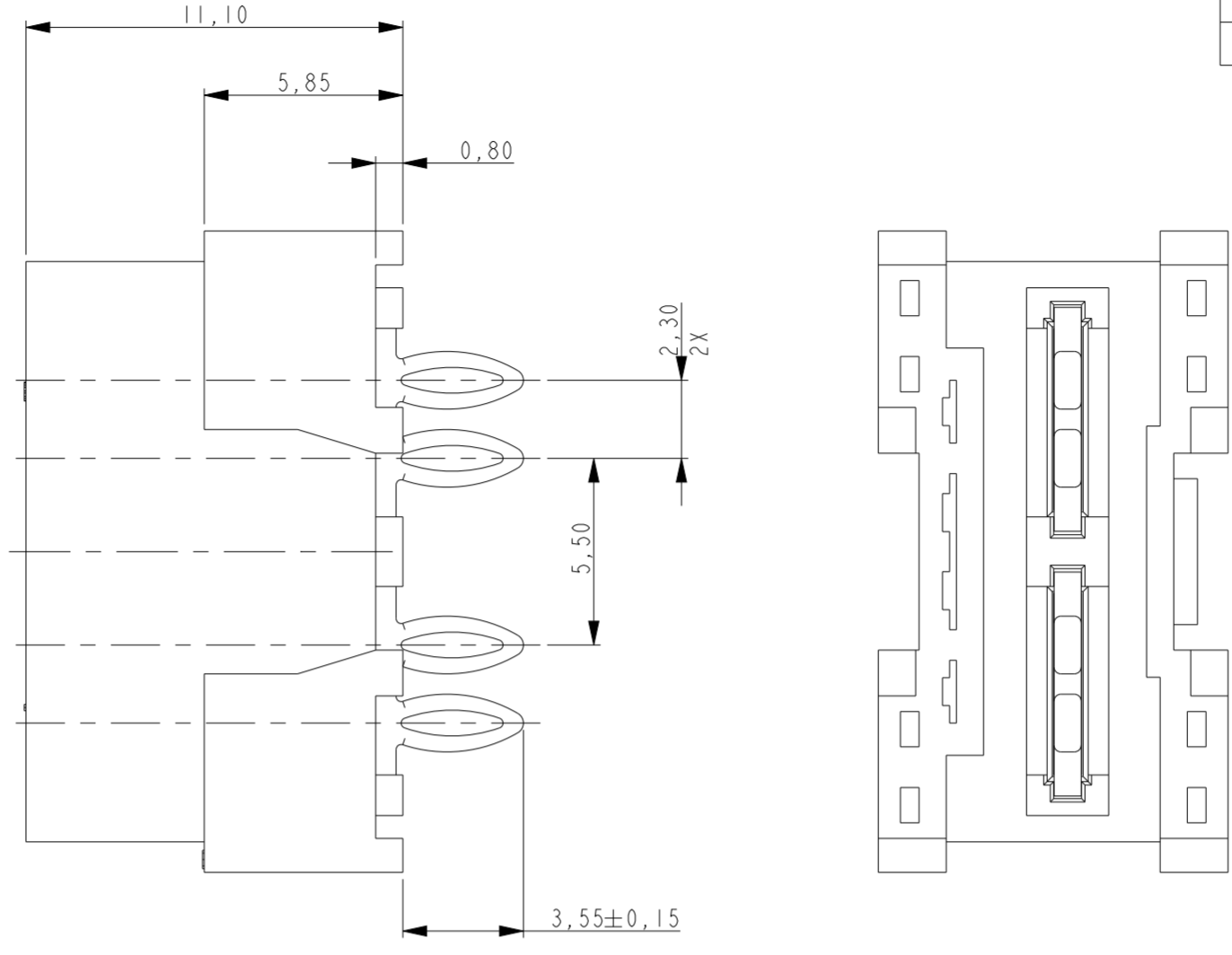
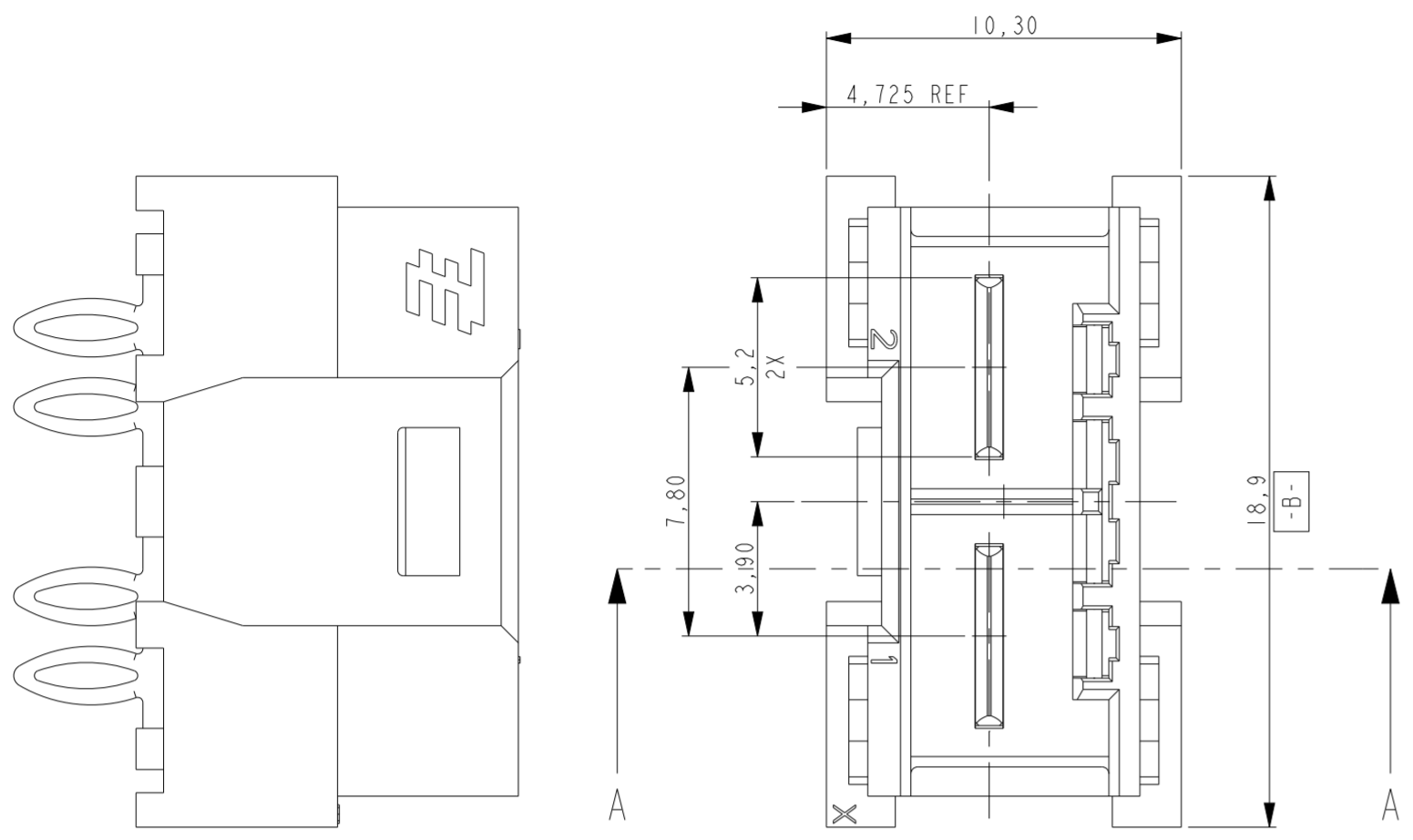
NOTES:

- 1 MATERIAL: BALCK POLYSTYRENE PLASTIC FOR CARRIER TAPE.
- 2 10 SPROCKET HOLES PITCH CUMULATIVE TOLERANCE +/-0,20.
- 3 CARRIER CAMBER IS WITHIN 1 mm IN 250 mm.
- 4 ALL DIMENSIONS MEET EIA-481-C REQUIREMENTS.
- 5 THICKNESS: 0,50±0,05mm.
- △ LABEL
- △ OPTIONAL UNLESS CODING CONTACT IS REQUIRED

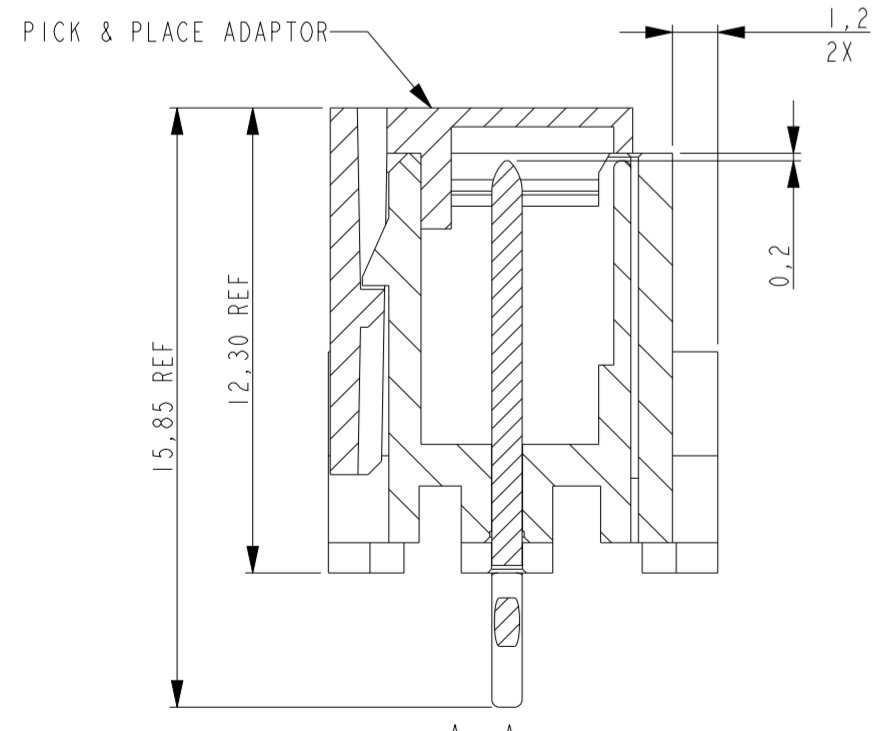
THIS DRAWING IS A CONTROLLED DOCUMENT.		DWN J.VOS 22-Apr-08	TE Connectivity	
		CHK R.LOKKER 22-Apr-08		
DIMENSIONS: mm		APVD R.V.D.SANDT	NAME ELCON Mini, 2-position header vertical	
TOLERANCES UNLESS OTHERWISE SPECIFIED: 0 PLC ±0,5 1 PLC ±0,1 2 PLC ±0,1 3 PLC ±0,1 4 PLC ± ANGLES ± FINISH ±		PRODUCT SPEC 108-19346	SIZE A2	CAGE CODE 00779
MATERIAL		APPLICATION SPEC 114-19110	DRAWING NO C-2042274	RESTRICTED TO
		WEIGHT	SCALE 3:1 SHEET 2 OF 4 REV D	
		CUSTOMER DRAWING		

THIS DRAWING IS UNPUBLISHED. RELEASED FOR PUBLICATION
 © COPYRIGHT - TE CONNECTIVITY ALL RIGHTS RESERVED.

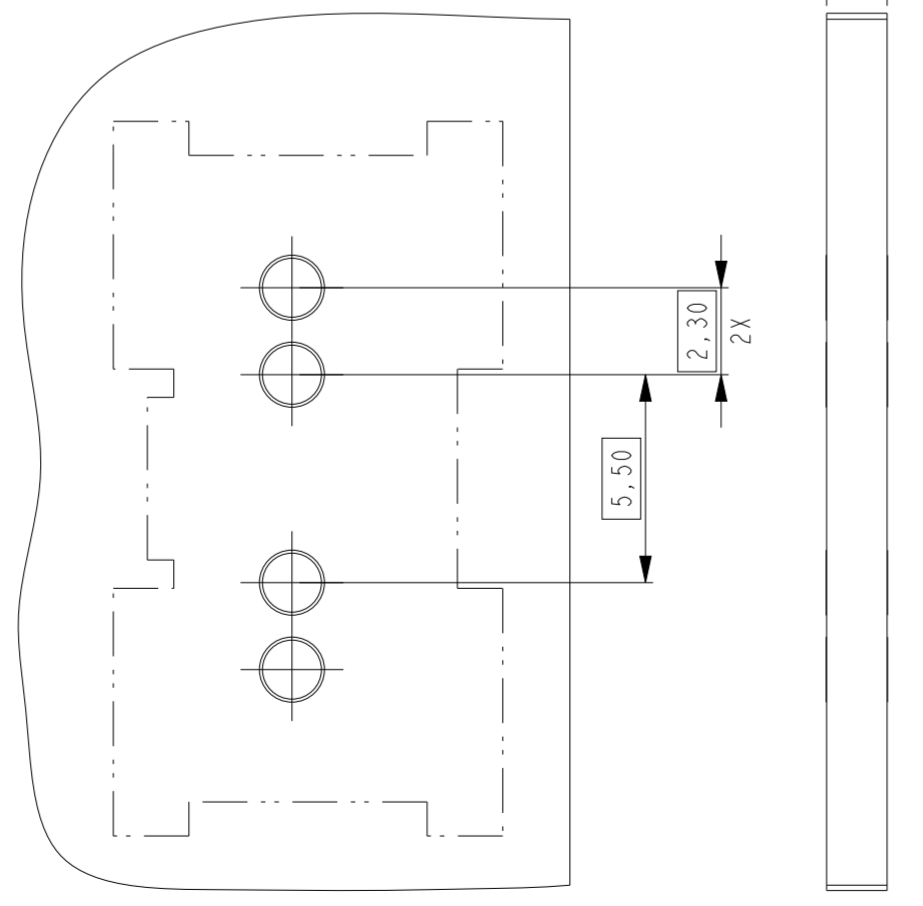
LOC		DIST		REVISIONS			
P	LTR	DESCRIPTION	DATE	DWN	APVD		
-	-	SEE SHEET 1	-	-	-		



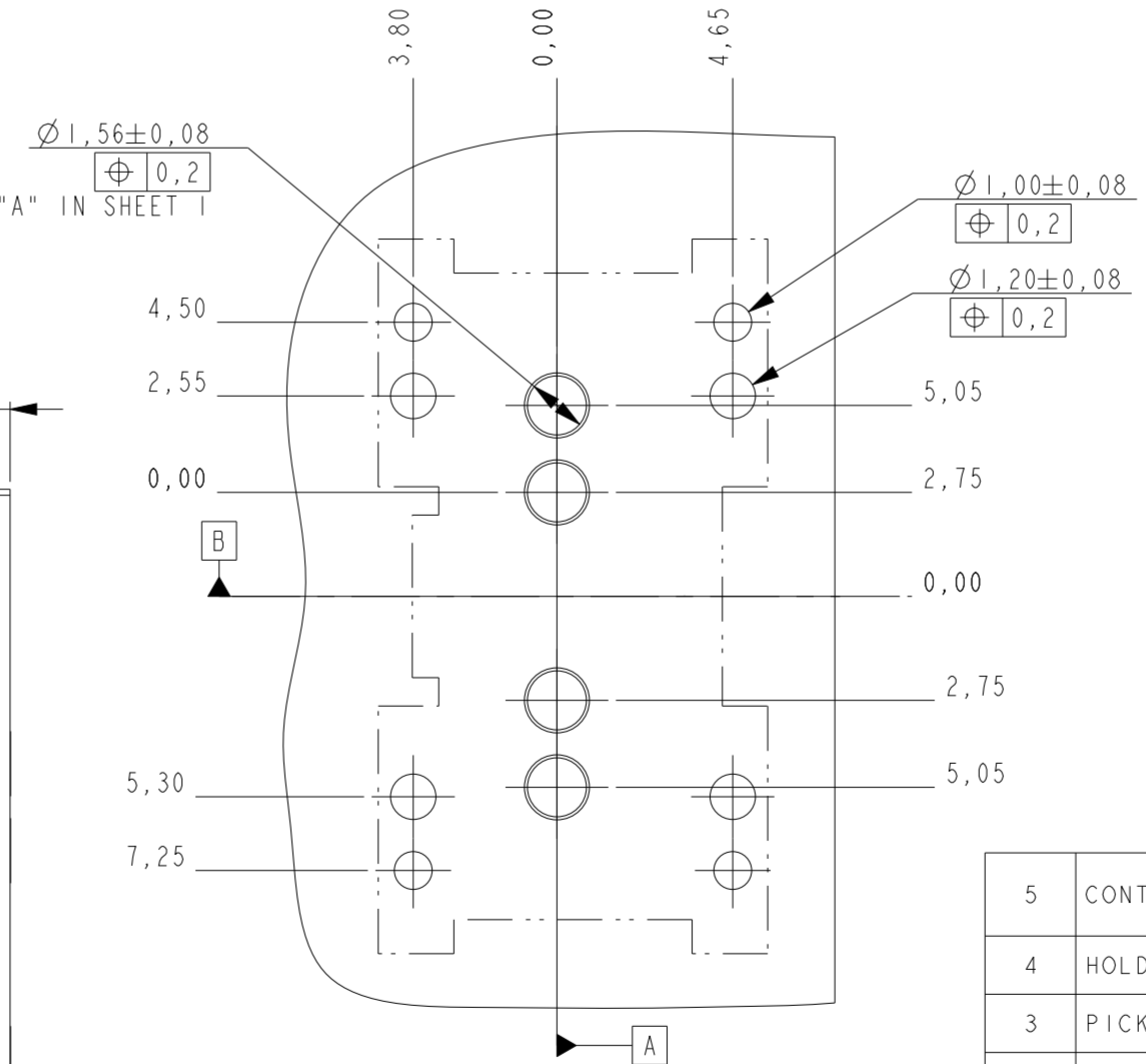
2042274-7 AS SHOWN



SECTION A-A
SCALE 5:1



LAYOUT FOR -6, PCB THICKNESS 145 MIN



LAYOUT FOR PRESSFIT, PCB THICKNESS 145 MIN.

ITEM NO.	DESCRIPTION	MATERIAL	FINISH	QTY	QTY	QTY	QTY
5	CONTACT POWER TAB	COPPER ALLOY	0.8 μm Au AT MATING ZONE GOLD FLASH AT PRESS FIT ZONE OVER 1.27μM NICKEL	-	2	-	-
4	HOLD DOWN	DIN1544 CK75	5.0 μm Sn MIN OVER 2.5 μm Ni MIN ALL OVER.	4	4	4	-
3	PICK&PLACE ADAPTOR	POLYAMIDE	NA	-	1	1	1
2	CONTACT POWER TAB	COPPER ALLOY	3.0 μm Ag MIN ALL OVER.	2	-	2	2
1	HOUSING	LCP GF UL94V-0	NA	1	1	1	1

2042274-9	WITH/OUT DETECTION CONTACTS	-	2	-	-
2042274-8	WITH/OUT DETECTION CONTACTS	4	4	4	-
2042274-7	WITH/OUT DETECTION CONTACTS	-	1	1	1
2042274-6	WITH/OUT DETECTION CONTACTS	2	-	2	2

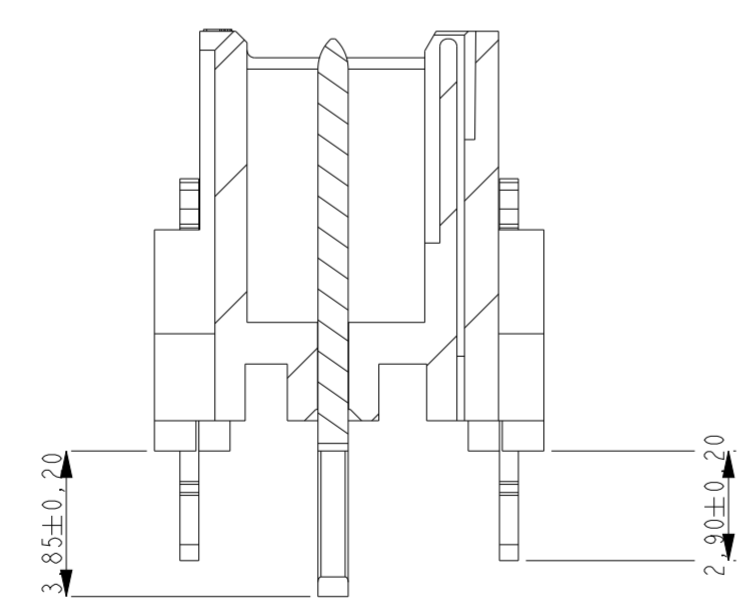
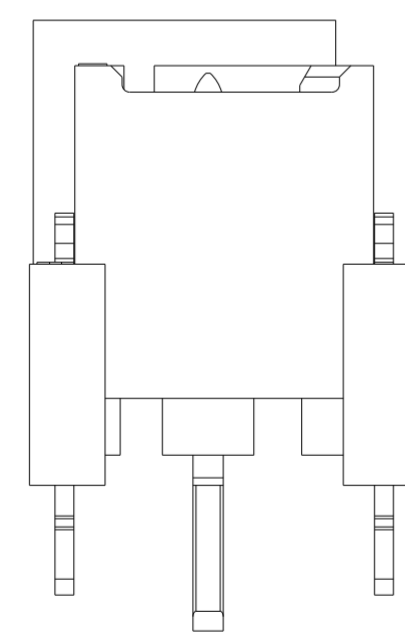
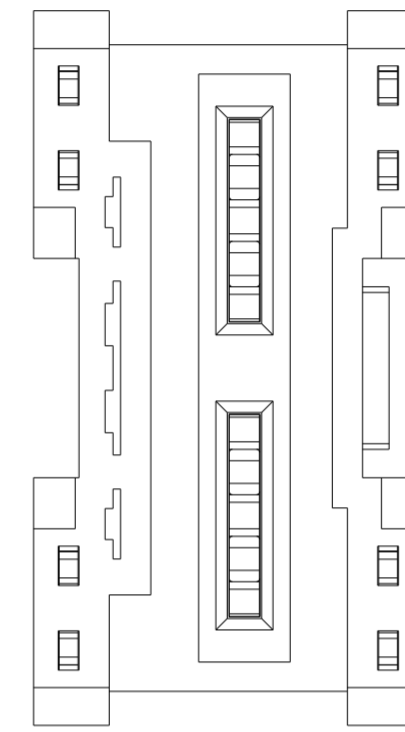
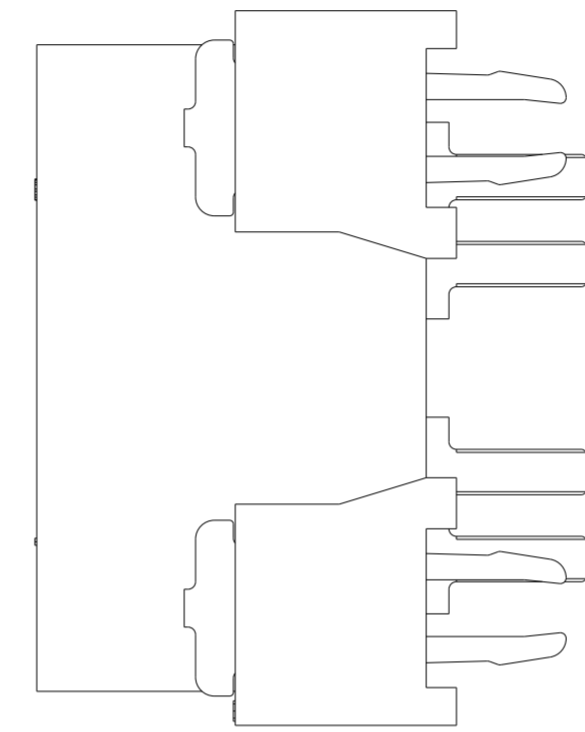
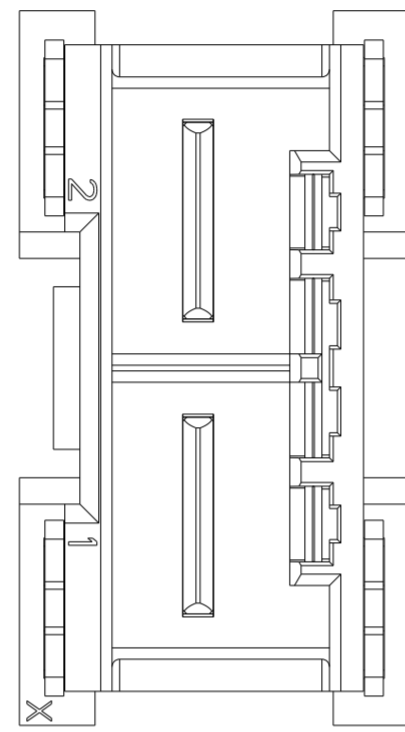
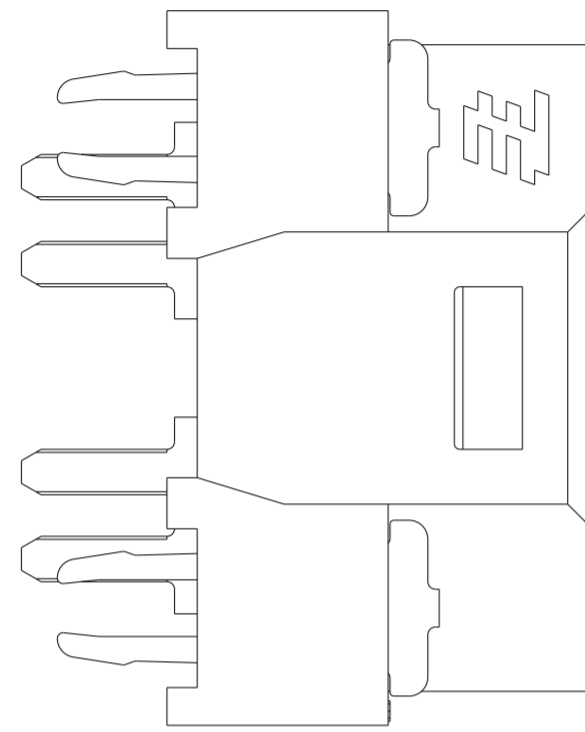
THIS DRAWING IS A CONTROLLED DOCUMENT.

DWN: J.VOS 22-Apr-08
 CHK: R.LOKKER 22-Apr-08
 APVD: R.V.D.SANDT
 PRODUCT SPEC: 108-19346
 APPLICATION SPEC: 114-19110
 MATERIAL: -
 FINISH: -

STE TE Connectivity
 NAME: ELCON Mini, 2-position header vertical
 SIZE: A2 CAGE CODE: 00779 DRAWING NO: C-2042274
 RESTRICTED TO: -
 SCALE: 3:1 SHEET 3 OF 4 REV D

THIS DRAWING IS UNPUBLISHED. RELEASED FOR PUBLICATION
 © COPYRIGHT - TE CONNECTIVITY ALL RIGHTS RESERVED.

LOC		DIST		REVISIONS			
P	LTR	DESCRIPTION	DATE	DWN	APVD		
-	-	SEE SHEET 1	-	-	-		



SECTION A - A

1-2042274-0 IS SHOWN TO SHOW THE TAIL LENGTH FOR POWER CONTACT AND HOLD DOWN.

OTHER DIMENSIONS REFER TO SHEET 1

1-2042274-0 SUPPORTS PIP PROCESS

THIS DRAWING IS A CONTROLLED DOCUMENT.		DWN J. VOS 22-Apr-08	TE Connectivity	
DIMENSIONS: mm		CHK R. LOKKER 22-Apr-08		
TOLERANCES UNLESS OTHERWISE SPECIFIED:		APVD R. V. D. SANDT	NAME ELCON Mini, 2-position header vertical	
0 PLC ±0,5 1 PLC ±0,1 2 PLC ±0,1 3 PLC ±0,1 4 PLC ± ANGLES ± FINISH		PRODUCT SPEC 108-19346	RESTRICTED TO	
MATERIAL		APPLICATION SPEC 114-19110	SIZE A2	CAGE CODE 00779
-		WEIGHT -	DRAWING NO C-2042274	
-		CUSTOMER DRAWING		SCALE 3:1 SHEET 4 OF 4 REV D