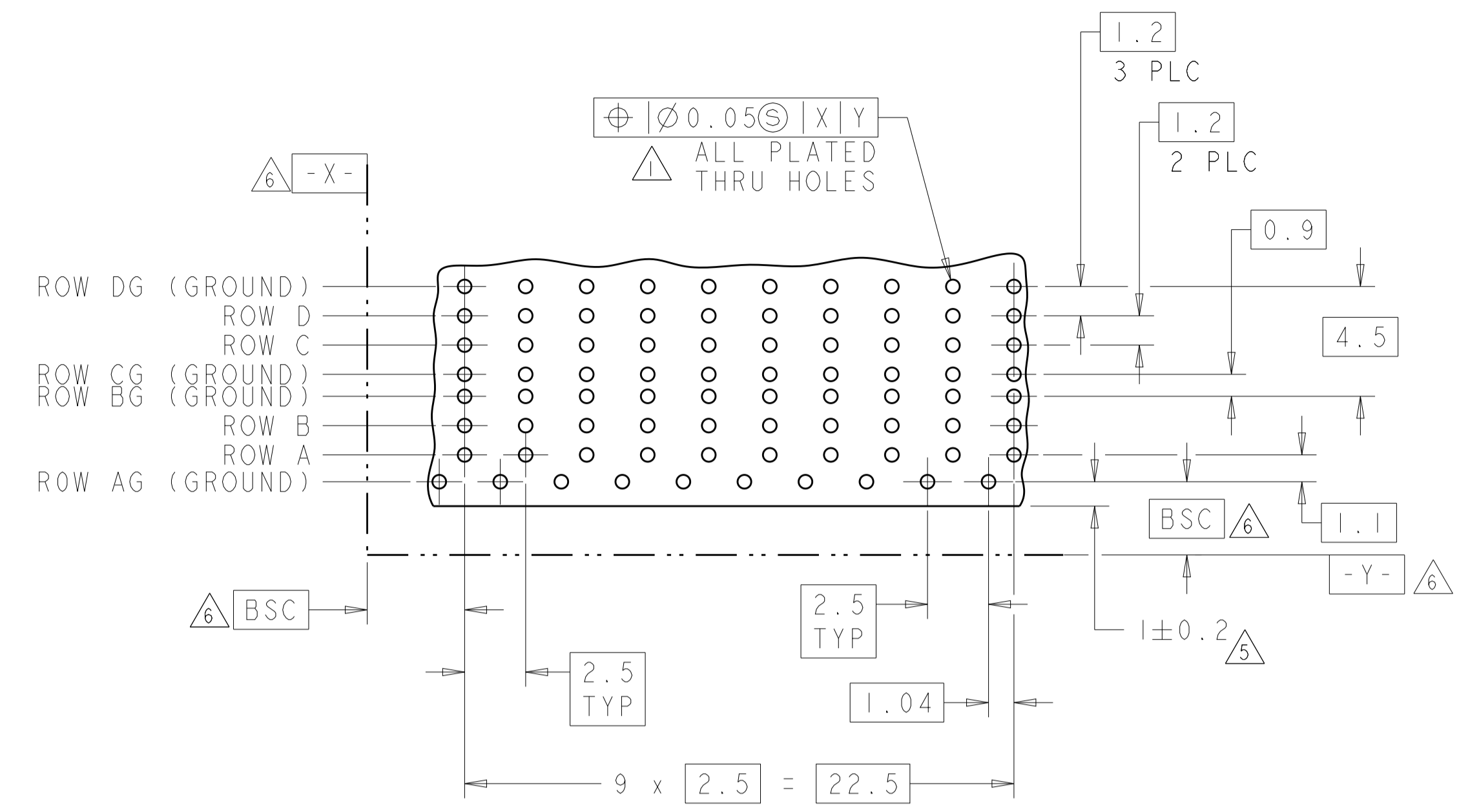
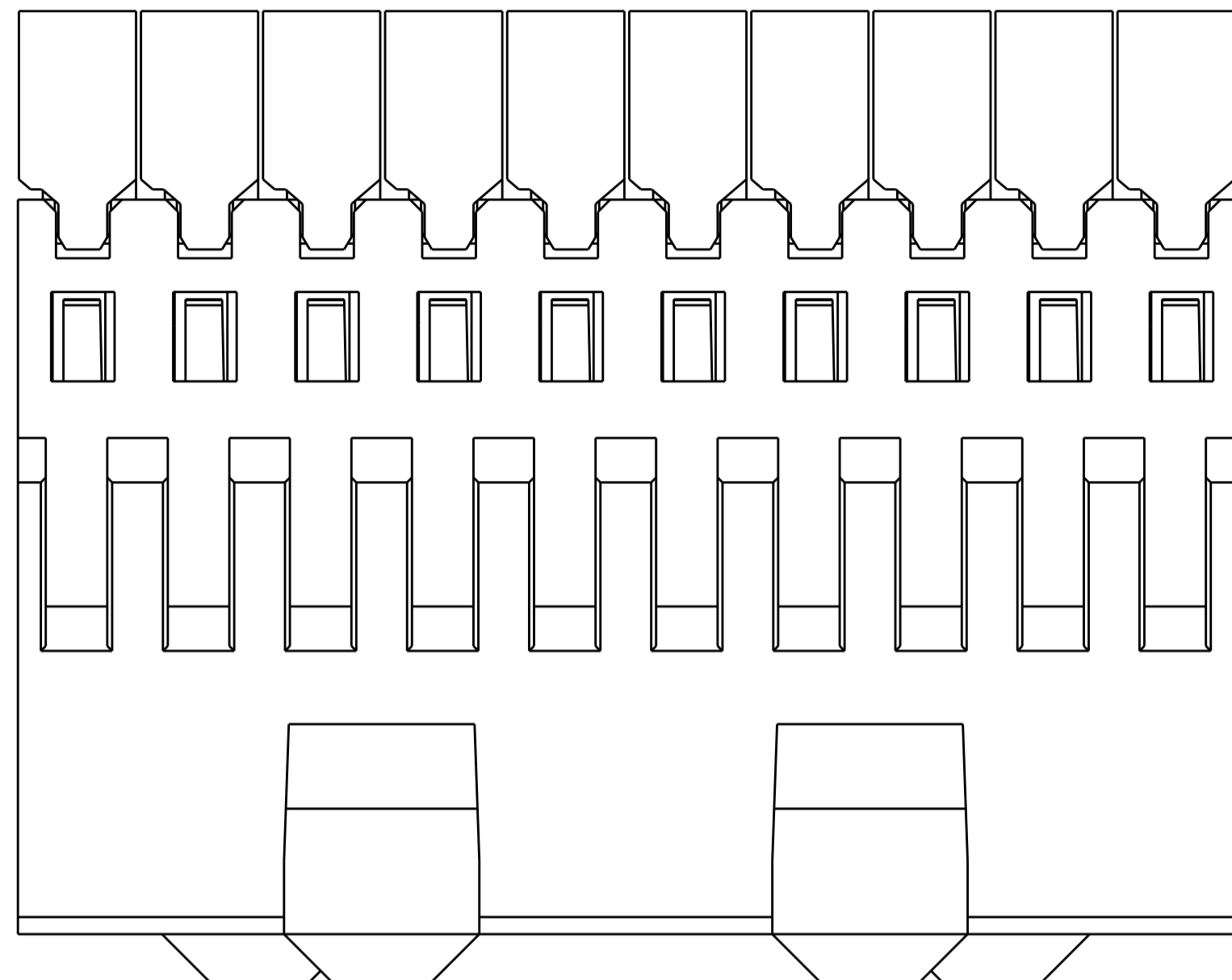
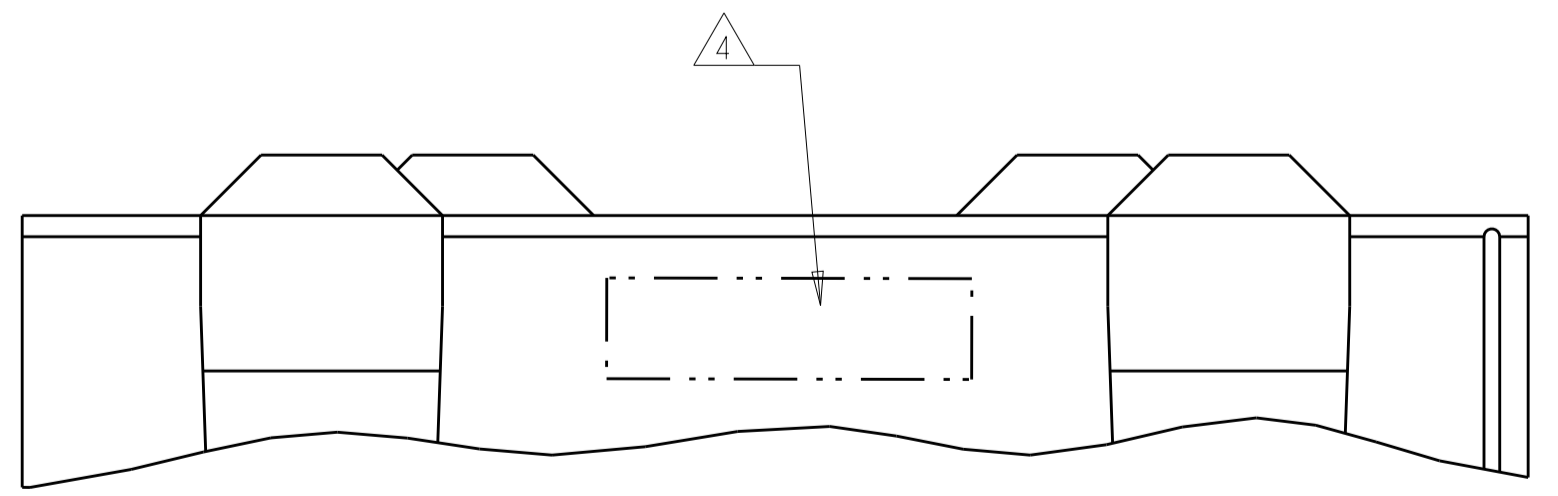
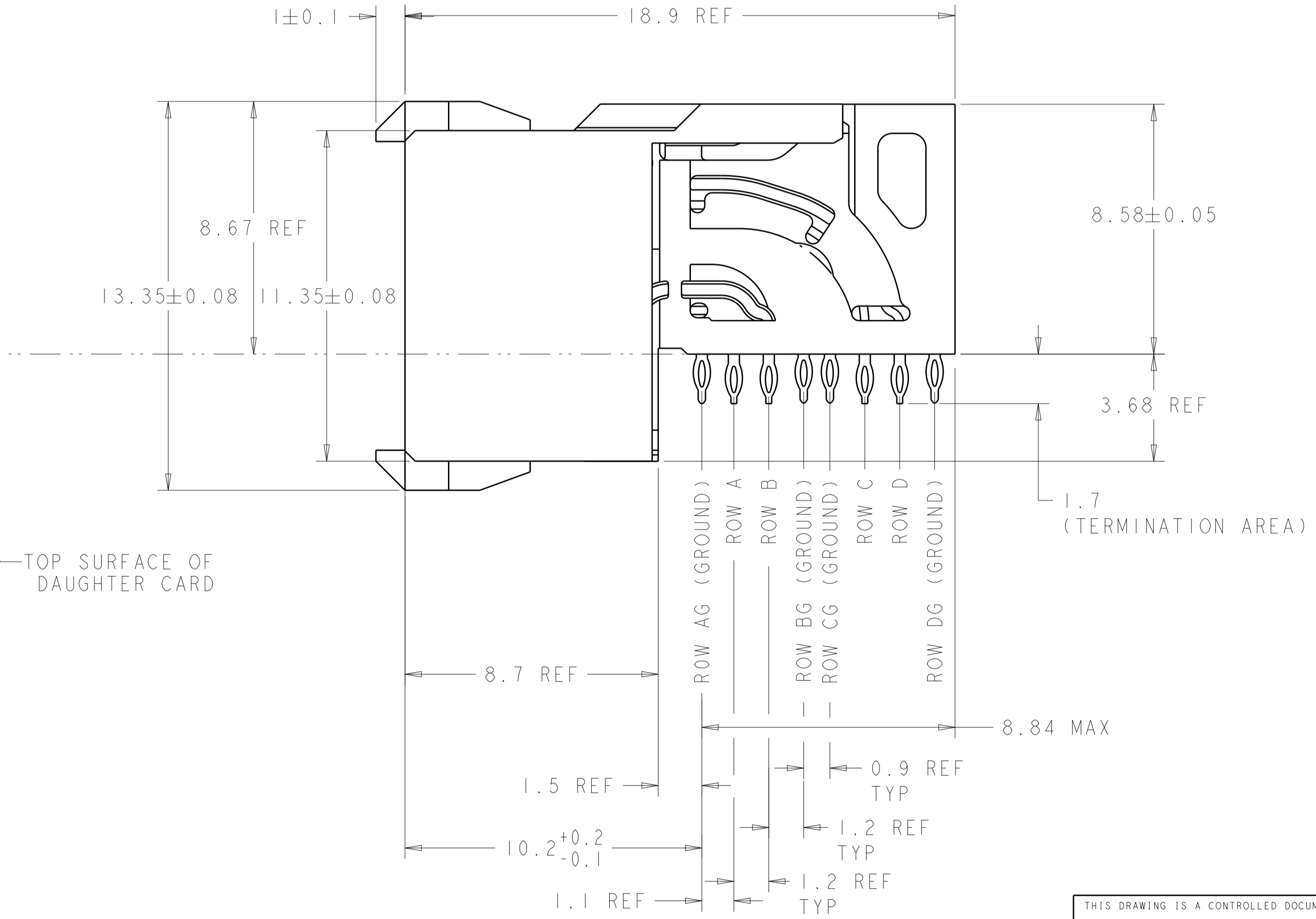
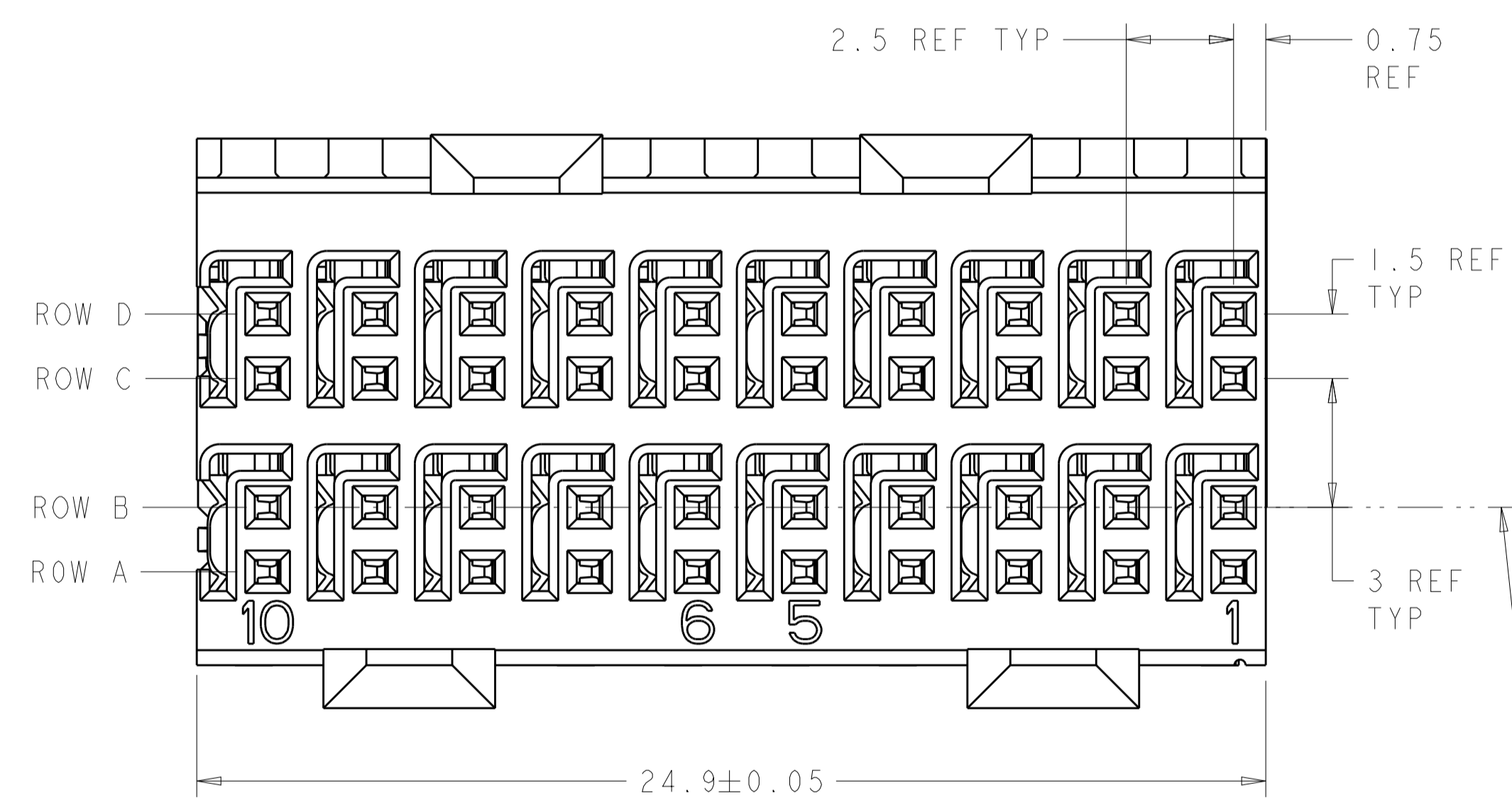


REVISIONS				
P.	LTH	DESCRIPTION	DATE	APV'D
C		REVISED PER ECO-14-005095	15APR2014	AP RP
D		REVISED PER ECO-16-008845	20SEP2016	AP RP



RECOMMENDED PC BOARD LAYOUT,  
 DAUGHTER BOARD,  
 COMPONENT SIDE SHOWN  
 SCALE 5:1

- △ REFERENCE APPLICATION SPEC 114-13059 FOR RECOMMENDED PLATED THRU HOLE DIAMETER AND PLATING THICKNESSES.
- △ MATERIAL:  
 SHIELD - PHOSPHOR BRONZE  
 CONTACT - COPPER-NICKEL-SILICON  
 HOUSING, CHICKLET AND CHICKLET COVER - GLASS FILLED POLYESTER, UL 94V-0 RATED.
- △ FINISH: CONTACT AND SHIELD  
 MATING AREA:  
 MEETS THE PERFORMANCE REQUIREMENTS OF TYCO ELECTRONICS PRODUCT SPECIFICATION, 108-2055-1; BASED ON TELCORDIA GR-1217-CORE, APPLICATIONS IN UNCONTROLLED ENVIRONMENTS.  
 COMPLIANT PIN AREA:  
 0.5µm MIN BRIGHT TIN/LEAD OVER BASE PLATING.
- △ CONNECTOR MARKED WITH PART NUMBER AND DATE CODE IN APPROXIMATE AREA SHOWN.
- △ DIMENSION APPLIES TO CENTERLINE OF THRU HOLE.
- △ DATUMS AND BASIC DIMENSIONS ESTABLISHED BY CUSTOMER.
- 7. CONTACT AREA LUBRICATED WITH BELLCORE APPROVED LUBRICANT. TECHNICAL REFERANCE: GR-1217-CORE, ISSUE 1, NOVEMBER 1995.
- △ FINISH: CONTACT AND SHIELD  
 MATING AREA:  
 MEETS THE PERFORMANCE REQUIREMENTS OF TYCO ELECTRONICS PRODUCT SPECIFICATION, 108-2055-1; BASED ON TELCORDIA GR-1217-CORE, APPLICATIONS IN UNCONTROLLED ENVIRONMENTS.  
 COMPLIANT PIN AREA:  
 0.5µm MIN MATTE TIN OVER BASE PLATING.



△3	2065769-2
△8	2065769-1
FINISH	PART NUMBER

THIS DRAWING IS A CONTROLLED DOCUMENT.

DIMENSIONS:	TOLERANCES UNLESS OTHERWISE SPECIFIED:	OWN S. J. MAGARO 08MAY2009	CHK S. J. MAGARO 08MAY2009	APV'D N. SCHROLL 08MAY2009	NAME ASSEMBLY, Z-Pack HMzd Plus, RECEPTACLE, 2 PAIR
mm	0 PLC ± 1 PLC ± 2 PLC ± 3 PLC ± 4 PLC ± ANGLES ±	SIZE A1	CAGE CODE 00779	DRAWING NO. C=2065769	RESTRICTED TO
MATERIAL	FINISH	WEIGHT	CUSTOMER DRAWING	SCALE 8:1	SHEET 1 OF 1 REV D

TE Connectivity