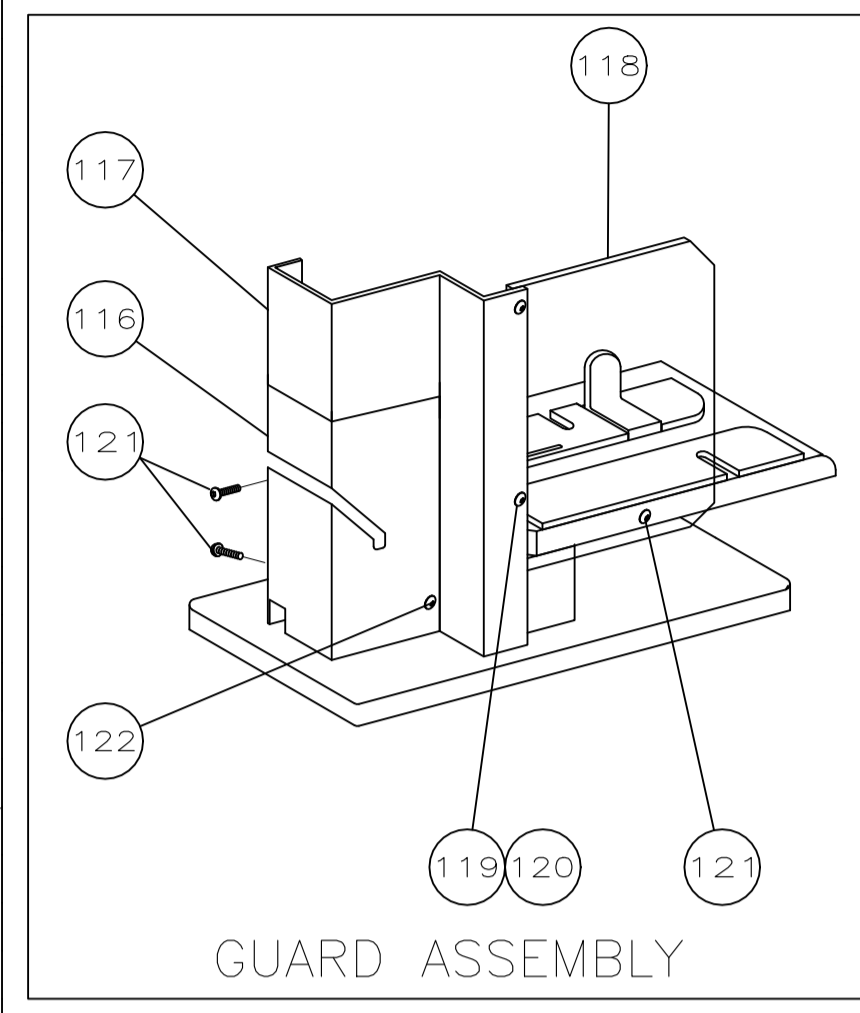
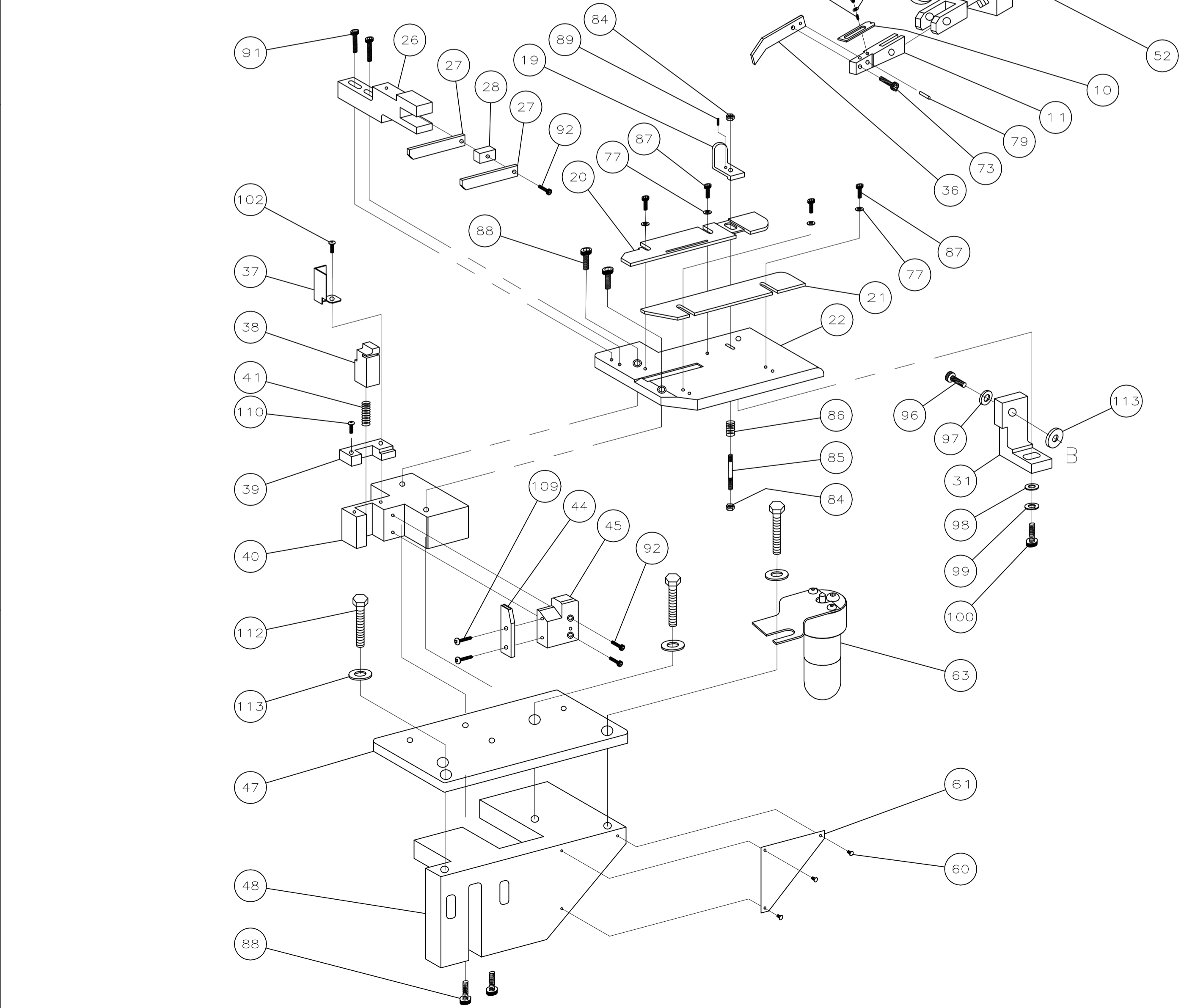


PART NUMBER	REV	FIRST USED
566381-1	D	1-471273-2



- 1 RECOMMENDED SPARE PARTS.
- 2 ITEMS NOT SHOWN.
- 3 CRIMP HEIGHT IS GIVEN FOR SET-UP PURPOSES ONLY.



TERMINAL NAME:		CRIMPING DATA			
SPLICE		CRIMP HEIGHT		WIRE SIZE	
	60372	.073 Δ		(2) 20 STR	
		-		-	
		NOT		USED	
		NOT		USED	
CRIMP	SIZE	TYPE	RANGE		
WIRE	.090	F	1200-2600 CMA		
INSUL	-	-	-		
FEED	APPL INST	SET UP GAGE	LAYOUT		
.350	408-81012	-	-		
WIRE STRIP LENGTH -					
TERM APPL SPEC 114-2088					

REVISIONS					
P	LTR	DESCRIPTION	DATE	DWN	APVD
D		REVISED PER ECR-22-141166	6-2022	GK	GB

				129
				128
				127
				126
				125
2	1	815933-1	MOUNT, REEL BRACKET	124
	1	461903-1	BRACKET, AIR SWITCH SHROUD	123
	1	461904-1	SHROUD, AIR SWITCH	122
	1	2-21002-2	BHCS, 8-32 x .50	121
	5	2-21002-0	BHCS, 8-32 x .25	120
	2	21018-4	NUT, 4-40	119
	2	1-21002-3	BHCS, 4-40 x .25	118
	1	816303-2	SIDE GUARD	117
	1	768494-1	TOP GUARD	116
	1	768562-1	GUARD ASSEMBLY	115
	-	-	-	114
	-	-	-	113
	4	371178	BASE MOUNT WASHER	112
	3	3-21015-1	SCR, HEX HD 3/8-16 X 1.00	111
	-	-	-	110
	1	1-21002-9	SCR, BHC 6-32 x .62	109
	2	2-21002-1	SCR, BHC 8-32 X .38	108
	-	-	-	107
	-	-	-	106
	-	-	-	105
	-	-	-	104
	-	-	-	103
	1	2-21002-4	SCR, BHC 8-32 X .75	102
	-	-	-	101
	3	21001-6	SCR, SHC 1/4-20 X 1.00	100
	1	21024-6	WASHER, LOCK #1/4	99
	1	21055-8	WASHER, FLAT #1/4	98
	1	21024-8	WASHER, LOCK #3/8	97
	1	3-21001-6	SCR, SHC 3/8-16 X 1.25	96
	-	-	-	95
	-	-	-	94
	-	-	-	93
	3	2-21000-8	SCR, SHC 8-32 X .63	92
	2	3-21000-0	SCR, SHC 8-32 X .88	91
	-	-	-	90
	1	3-21008-0	SCR,SET SELF-LOC 6-32 X .32	89
	4	21001-3	SCR,SHC 1/4-20 X .62	88
	4	2-21000-7	SCR, SHC 8-32 X .50	87
	1	373469	STOCK DRAG SPRING	86
	1	370573	DRAG STUD	85
	2	21021-4	NUT,HEX, SELF-LOC 10-32	84
	-	-	-	83
	-	-	-	82
	1	2-21000-6	SCR, SHC 8-32 X .38	81
	1	21024-4	WASHER, LOCK #8	80
	1	5-21028-1	FEED FINGER PIN, DOWEL	79
	3	1-21549-2	SCR,SET 8-32 X .25	78
	5	21055-6	WASHER, FLAT #8	77
	1	21018-6	NUT, JAM 8-32	76
	1	4-21006-4	SCR, SET 8-32 X .50	75
	-	-	-	74
	1	3-21000-5	SCR, SHC, 10-32 X .50	73
	1	2-21549-3	SCR,SET SELF-LOC 1/4-20 X .50	72
	1	6-21029-9	PIN,SLOTTED SPR .312 X 1.50	71
	-	-	-	70
	-	-	-	69
	-	-	-	68
	-	-	-	67
	-	-	-	66
	-	-	-	65
	-	-	-	64
	1	465184-8	LUBRICATOR ASSY	63
	-	-	-	62
	1	452373-1	PLATE I.D.	61
	3	21017-6	SCR, RH DRIVE	60
	-	-	-	59
	-	-	-	58
	-	-	-	57
	-	-	-	56
	-	-	-	55
	-	-	-	54
	-	-	-	53
	1	692653-1	AIR FEED CYLINDER SUB-ASSY	52
	1	692655-5	AIR FEED VALVE SUB-ASSY	51
	-	-	-	50
	-	-	-	49
	1	570238	BASE MOUNT	48
	1	465317-1	BASE PLATE	47
	-	-	-	46
	1	314893-2	ANVIL HOLDER	45
	1	2-689722-5	ANVIL	44
	-	-	-	43
	-	-	-	42
	1	387083	SHEAR SPRING	41
	1	314835-1	BASE BLOCK	40
	1	314892-1	SHEAR, PLATE	39
	1	314891-1	SHEAR, FLOATING	38
	1	314897-1	SHEAR, DEFLECTOR	37
	1	385138	TIP, FEED FINGER	36
	-	-	-	35
	-	-	-	34
	-	-	-	33
	-	-	-	32
	1	815872-1	BRACKET, FEED MOUNTING	31
	-	-	-	30
	-	-	-	29
	1	692968-2	SPACER, STRIPPER	28
	2	314898-1	STRIPPER	27
	1	692875-4	MOUNT, STRIPPER	26
	-	-	-	25
	-	-	-	24
	-	-	-	23
	1	815932-1	STRIP GUIDE PLATE	22
	1	768959-1	FRONT STRIP GUIDE	21
	1	768490-1	REAR STRIP GUIDE	20
	1	387650-4	DRAG, STOCK	19
	-	-	-	18
	-	-	-	17
	-	-	-	16
	-	-	-	15
	-	-	-	14
	-	-	-	13
	-	-	-	12
	1	375635	HOLDER, FEED FINGER	11
	1	374999	TENSION ADJUSTING PLATE	10
	-	-	-	9
	-	-	-	8
	1	471167	RAM	7
	1	314894-1	TOOL HOLDER	6
	-	-	-	5
	2	314896-1	SPACER	4
	1	314895-2	SHEAR DEPRESSOR	3
	-	-	-	2
	1	1-1803716-1	CRIMPER, MODIFIED STANDARD APPLICATOR	1

				70
				69
				68
				67
				66
				65
				64
				63
				62
				61
				60
				59
				58
				57
				56
				55
				54
				53
				52
				51
				50
				49
				48
				47
				46
				45
				44
				43
				42
				41
				40
				39
				38
				37
				36
				35
				34
				33
				32
				31
				30
				29
				28
				27
				26
				25
				24
				23
				22
				21
				20
				19
				18
				17
				16
				15
				14
				13
				12
				11
				10
				9
				8
				7
				6
				5
				4
				3
				2
				1

QTY REQD PER ASSY	U/M	PART NO	DESCRIPTION	ITEM NO

QTY REQD PER ASSY	U/M	PART NO	DESCRIPTION	ITEM NO

THIS DRAWING IS A CONTROLLED DOCUMENT.

DIMENSIONS: INCHES	TOLERANCES UNLESS OTHERWISE SPECIFIED:	DIN JC BAKER 11/9/93	TE Connectivity
0 PLC ± .01	1 PLC ± .005	CHK C. ERISMAN 11/15/93	
2 PLC ± .005	3 PLC ± .005	APVD BA WOLFE 11/9/93	
4 PLC ± .005	ANGLES ± .1		
MATERIAL	FINISH	WEIGHT	SIZE CAGE CODE DRAWING NO RESTRICTED TO
			A1 00779 C=566381
CUSTOMER DRAWING			SCALE 1:4 SHEET 1 of 1 REV D