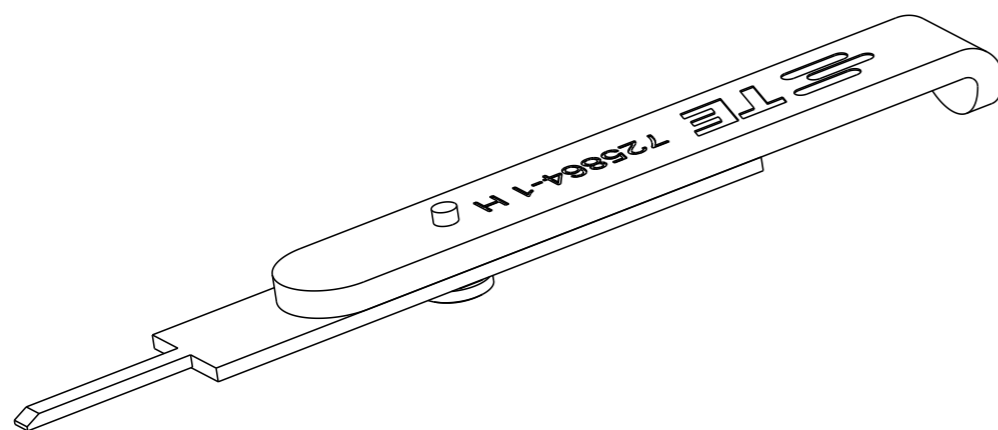
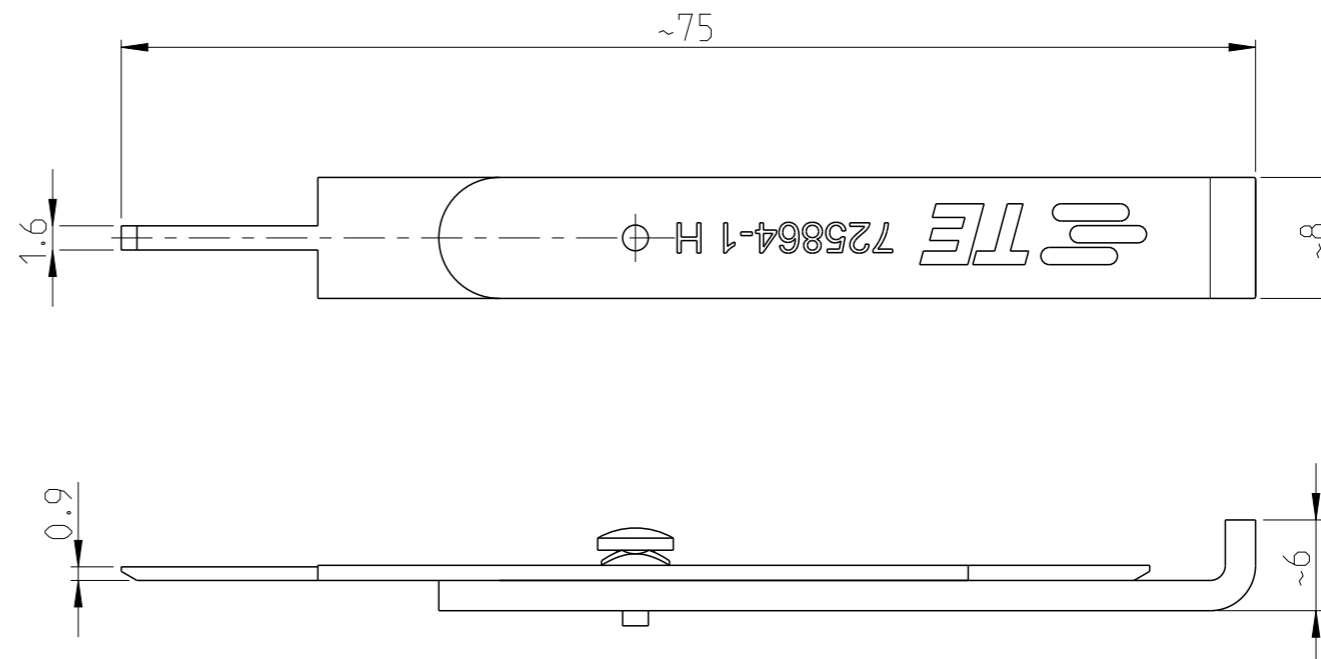




REVISIONS

P	LTR	DESCRIPTION	DATE	DWN	APVD
	H	ECR-13-003020	08MAR2013	LS	GS
	H1	ECR-20-008954	13JUL2020	PNT	GS



APPLICATION RANGE / Anwendungsbereich

For Contacts Fastin-Faston 2.8; 4.8; 6.3
 TE-P/N: 963951, 927892, 927893, 928923,
 928924, 928930

THIS DRAWING IS A CONTROLLED DOCUMENT.		DWN L. Sandhu 06FEB2013	 TE Connectivity		
DIMENSIONS: mm		CHK G. Stegmayer 16FEB2013			
TOLERANCES UNLESS OTHERWISE SPECIFIED:		APVD G. Stegmayer 16FEB2013	NAME EXTRACTION TOOL		
		PRODUCT SPEC	-		
0 PLC ± 1 PLC ± 2 PLC ± 3 PLC ± 4 PLC ± ANGLES ±		APPLICATION SPEC	RESTRICTED TO		
MATERIAL		WEIGHT 0.01 kg	SIZE A3	CAGE CODE 00779	DRAWING NO G=725864-1
FINISH		CUSTOMER DRAWING	SCALE 2:1	SHEET 1 OF 1	REV H1