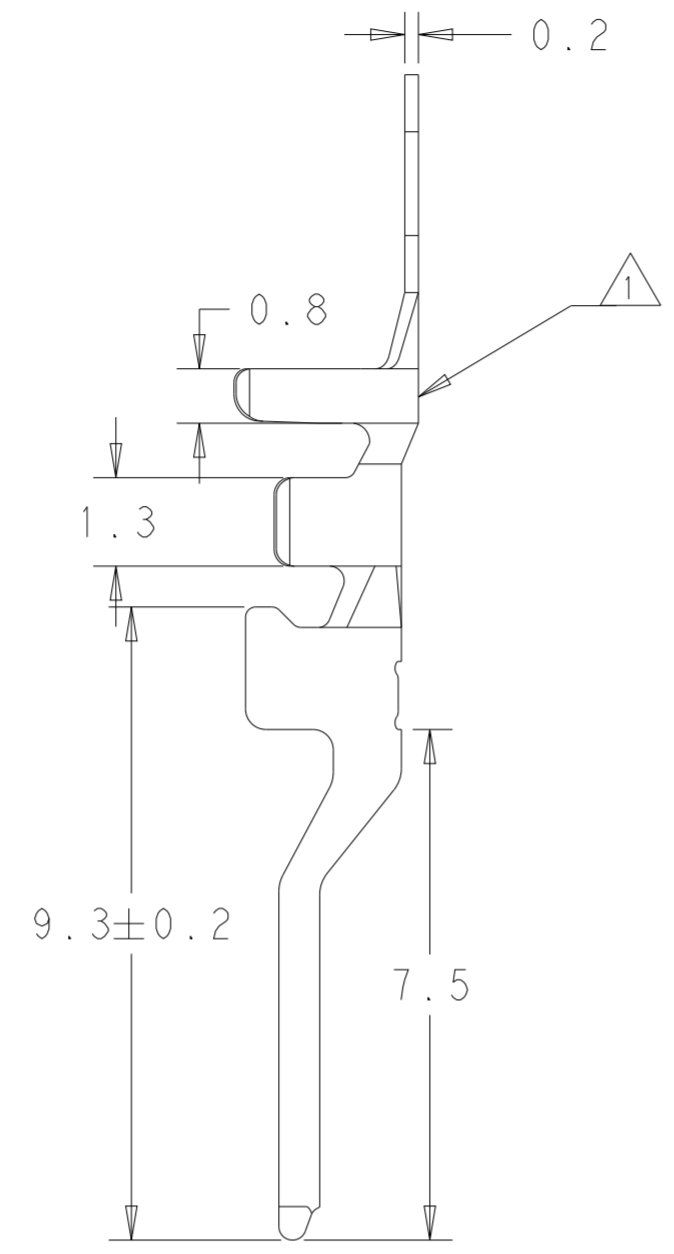
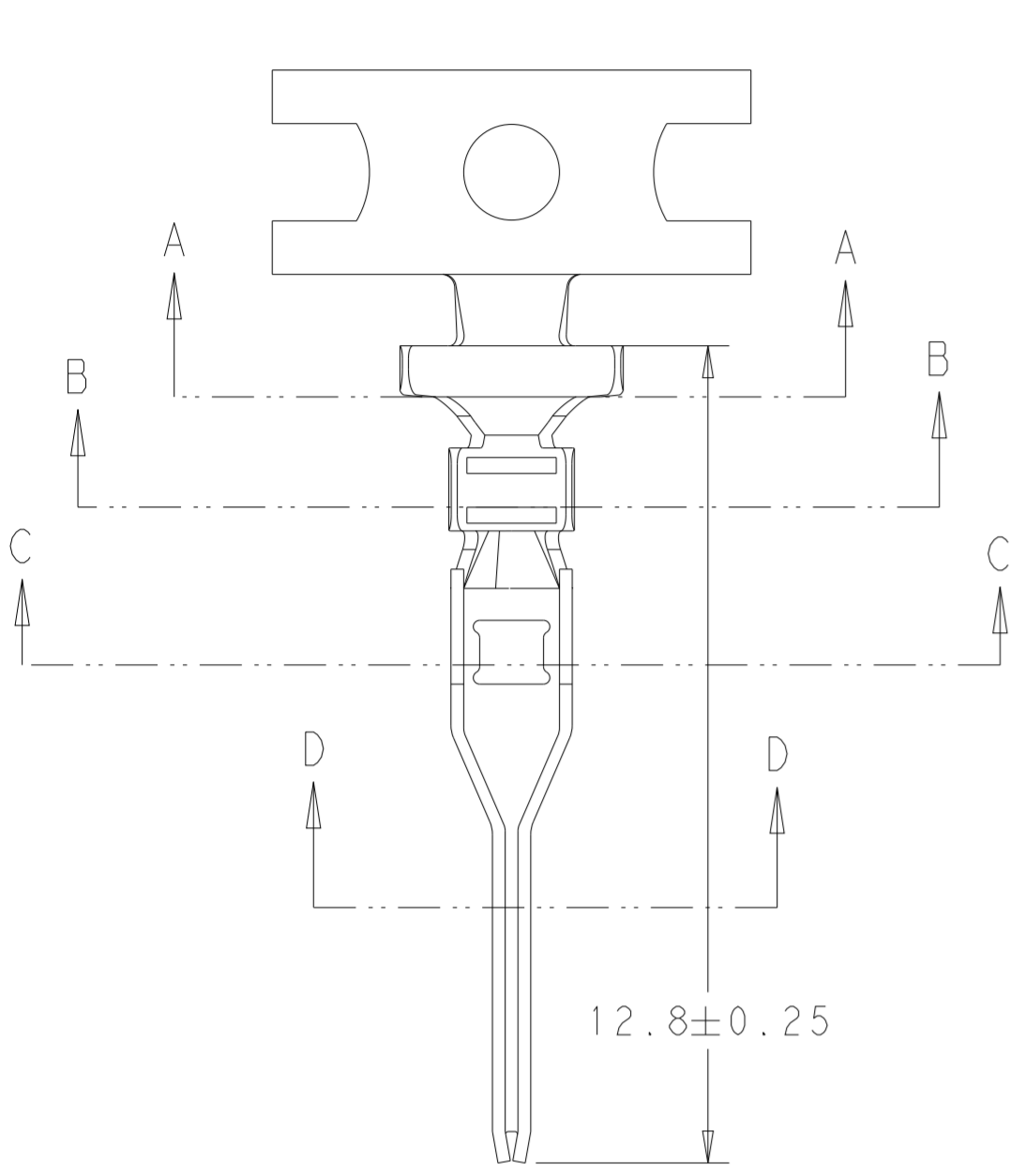
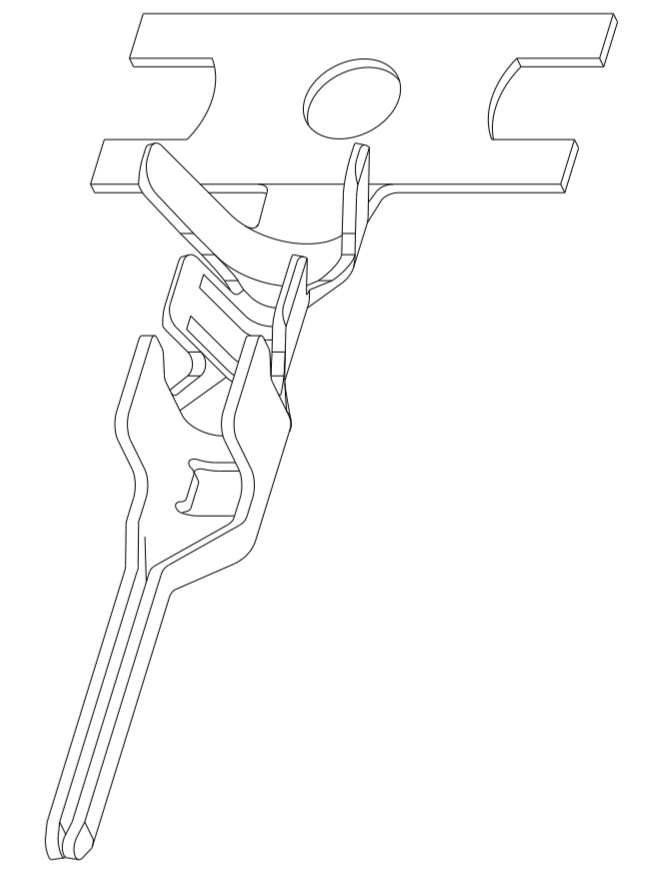
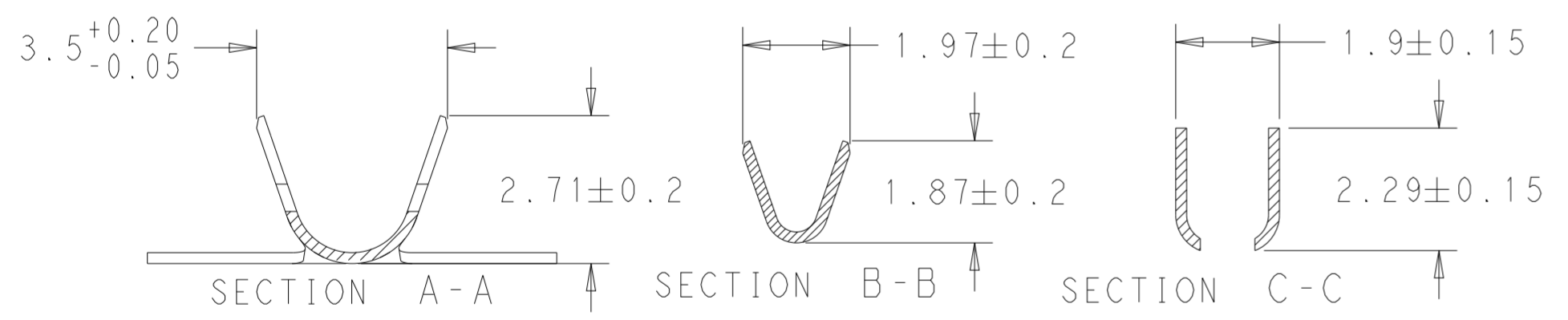


THIS DRAWING IS UNPUBLISHED. RELEASED FOR PUBLICATION 20
 © COPYRIGHT 20 BY - ALL RIGHTS RESERVED.

LOC		DIST		REVISIONS			
P	LTR	DESCRIPTION	DATE	DWN	APVD		
B		REVISED PER ECR-16-011195	09AUG2016	O.C	D.Z		
B1		REVISED PER ECR-21-121181	07JAN2022	S.K	D.Z		



- 1 TE LOGO.
- 2 QUANTITY PER REEL: 8000 PIECES.
- 3 CONTACT IS RoHS COMPLIANT.
- 4 WIRE RANGE: 20-24 AWG.
- 5 INSULATION RANGE: Ø 1.5-1.9



TIN OVER NICKEL	BRASS	2238008-1
FINISH	MATERIAL	PART NO.

THIS DRAWING IS A CONTROLLED DOCUMENT.		DWN S. EDWARDS 14DEC2012	TE Connectivity	
DIMENSIONS: mm		CHK KURT RANDOLPH 14DEC2012		
TOLERANCES UNLESS OTHERWISE SPECIFIED:		APVD KURT RANDOLPH 14DEC2012	NAME	
0 PLC ± -		PRODUCT SPEC	TERMINAL, PIN ECONOMY POWER 2.5	
1 PLC ± 0.5		108-2418	SIZE	CAGE CODE
2 PLC ± 0.13		APPLICATION SPEC	A2	00779
3 PLC ± 0.013		114-13315	DRAWING NO	RESTRICTED TO
4 PLC ± 0.0001		WEIGHT	G-2238008	
ANGLES ± -		Customer Drawing	SCALE 9:1	SHEET 1 OF 1
FINISH				REV B1
SEE TABLE				