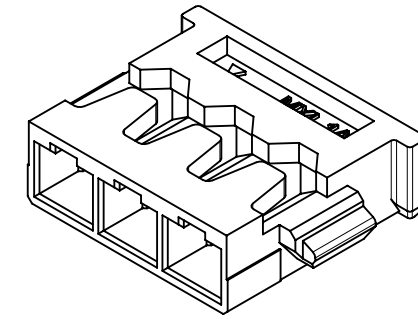
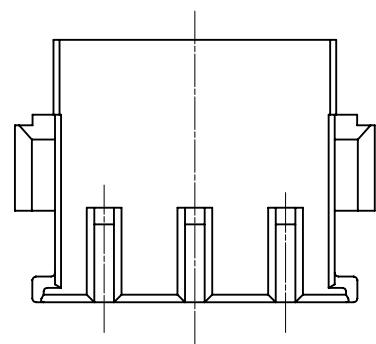
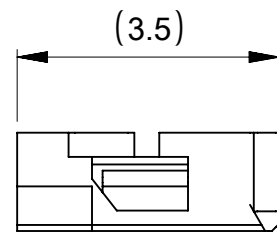
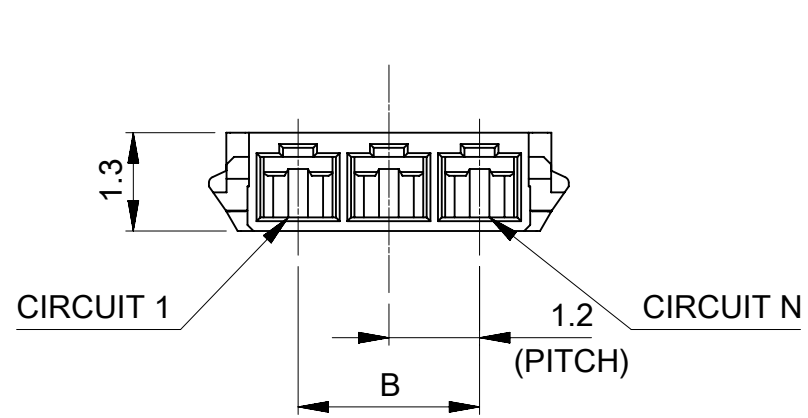
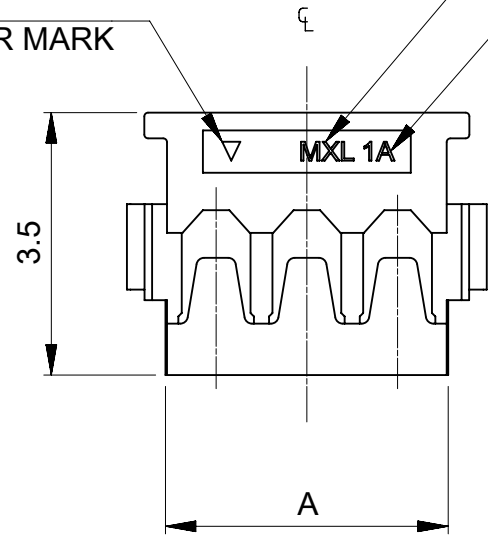


CIRCUIT 1 INDICATOR MARK
 トレードマーク
 TRADE MARK
 CAV & MOLD No



NOTES

- 1 材料：TABLE 1 参照
 MATERIAL：SEE TABLE 1
- 2 適合製品及び各種仕様書はSHEET 2 をご参考ください。
 PLEASE REFER TO SHEET 2 FOR APPLICABLE PRODUCTS AND VARIOUS SPECIFICATIONS.

4.8	6.2	781720005	5
3.6	5.0	781720004	4
2.4	3.8	781720003	3
1.2	2.6	781720002	2
B	A	オーダー番号 ORDER No	極数 CIRCUIT SIZE
		梱包形態: ポリ袋 PACKAGING: POLYBAG	

1 TABLE 1

部品 PART	材質 MATERIAL
ハウジング HOUSING	液晶ポリマー LCP, ガラス充填, UL94 V-0 色 : 黒 LIQUID CRYSTAL POLYMER (LCP), GLASS FILLED, UL94 V-0, COLOR: BLACK

THIS DRAWING CONTAINS INFORMATION THAT IS PROPRIETARY TO MOLEX ELECTRONIC TECHNOLOGIES, LLC AND SHOULD NOT BE USED WITHOUT WRITTEN PERMISSION									
DIMENSION UNITS mm		SCALE NTS		CURRENT REV DESC: REDRAWN				molex	
GENERAL TOLERANCES (UNLESS SPECIFIED)		ANGULAR TOL ± 3.0°		EC NO: 677114 DRWN: SNAKAMURA08 2018/06/21 CHK'D: SAKIYAMA 2022/06/06 APPR: AIDA 2022/06/07					
4 PLACES ± 0.2		3 PLACES ± 0.2		INITIAL REVISION: DRWN: SNAKAMURA08 2018/06/21 APPR: AIDA 2022/06/07				PICO-EZMATE 1.2 WIRE TO BOARD CONNECTOR 2-5 CKT RECEPTACLE HOUSING	
2 PLACES ± 0.2		1 PLACE ± 0.2		PRODUCT CUSTOMER DRAWING				DOCUMENT NUMBER	
0 PLACES ± 0.2		DRAFT WHERE APPLICABLE MUST REMAIN WITHIN DIMENSIONS		THIRD ANGLE PROJECTION		DRAWING A3-SIZE		SERIES 78172	
DOCUMENT STATUS P1		RELEASE DATE 2022/06/07 10:28:31		MATERIAL NUMBER SEE CHART		CUSTOMER GENERAL		SHEET NUMBER 1 OF 2	
				781720000-SD		PSD 000 A			

△ 2 適合製品及び各種仕様書
 APPLICABLE PRODUCTS AND VARIOUS SPECIFICATIONS

梱包仕様書 PACKAGING SPECIFICATION	PART NUMBER		SPECIFICATION NUMBER
	78172000*		SPK-78172-001
適合圧着端子 APPLICABLE CRIMP TERMINAL	PART NUMBER	PLATING TYPE	MATERIAL
	781720410	GOLD	りん青銅 PHOSPHOR BRONZE
	781720411		コルソン銅 CORSON COPPER
適合嵌合相手 MATE WITH	SMT		
製品番号 PART NUMBER	GOLD PLATING 78171000*		
製品仕様書 PRODUCT SPECIFICATION	781710000-PS PS 000		
アプリケーション仕様書 APPLICATION SPECIFICATION	AS-78172-001		

製品嵌合図は嵌合相手図面参照のこと。
 MATING VIEW: REFER TO "MATE WITH" PART DRAWINGS.

THIS DRAWING CONTAINS INFORMATION THAT IS PROPRIETARY TO MOLEX ELECTRONIC TECHNOLOGIES, LLC AND SHOULD NOT BE USED WITHOUT WRITTEN PERMISSION									
DIMENSION UNITS	SCALE	CURRENT REV DESC: REDRAWN				molex			
mm	NTS					PICO-EZMATE 1.2 WIRE TO BOARD CONNECTOR 2-5 CKT RECEPTACLE HOUSING			
GENERAL TOLERANCES (UNLESS SPECIFIED)						PRODUCT CUSTOMER DRAWING			
ANGULAR TOL ± 3.0 °									
4 PLACES ± 0.2		EC NO: 677114		DRWN: SNAKAMURA08		2018/06/21			
3 PLACES ± 0.2		CHK'D: SAKIYAMA		2022/06/06		APPR: AIDA		2022/06/07	
2 PLACES ± 0.2		INITIAL REVISION:				DRWN: SNAKAMURA08		2018/06/21	
1 PLACE ± 0.2						APPR: AIDA		2022/06/07	
0 PLACES ± 0.2		DRAFT WHERE APPLICABLE MUST REMAIN WITHIN DIMENSIONS		THIRD ANGLE PROJECTION 		DRAWING A3-SIZE	SERIES 78172	MATERIAL NUMBER SEE CHART	CUSTOMER GENERAL
						DOCUMENT NUMBER 781720000-SD		DOC TYPE PSD	DOC PART 000
						REVISION A		SHEET NUMBER 2 OF 2	