

HSMx-A43x-xxxxx

Surface Mount LED Indicator



Description

The Broadcom[®] Power PLCC-4 SMT LEDs with Lens are high-performance PLCC-4 package size SMT LEDs targeted mainly in Automotive and Electronic Signs and Signals (ESS) markets. These top-mount single-chip packages with focused radiation offer high brightness in beam direction and are excellent for interior automotive, indoor and outdoor sign, and industrial applications. With additional lens in 30° variants, these products are especially fitting to applications for traffic lights, CHMSL, and displays.

The PLCC-4 package family is able to dissipate heat better compared to the PLCC-2 packages. In proportion to this increase in driving current, this family of LEDs is able to produce higher light output compared to the conventional PLCC-2 SMT LEDs.

As an extension of the standard flat top PLCC-4 SMT LEDs, the Power PLCC-4 with Lens device is able to provide focused beams within narrow viewing angles (30°) meeting the market's requirements for focused radiation and high brightness in beam directions.

The Power PLCC-4 SMT LED with 30° is ideal for panel, push button, or general backlighting in automotive interior and exterior, sign, office equipment, industrial equipment, and home appliances applications. This package design, coupled with careful selection of component materials, allows the Power PLCC-4 SMT LED with Lens to perform with higher reliability in a larger temperature range -40 °C to 100 °C. This high reliability feature is crucial to allow the Power PLCC-4 SMT LED with Lens to perform well in harsh environments, such as its target Automotive and ESS markets. The Power PLCC-4 SMT LED with Lens package is designed to be compatible with IR-solder reflow soldering.

Features

- Industry-standard PLCC-4
- High reliability LED package
- High brightness using AlInGaP and InGaN dice technologies
- High optical efficiency
- Narrow viewing angle at 30°
- Available in 8-mm carrier tape on 7-inch reel
- Compatible with IR soldering process

Applications

Interior automotive:

- Instrument panel backlighting
- Central console backlighting
- Cabin backlighting
- Navigation and audio system
- Dome lighting
- Push button backlighting

Exterior automotive:

- Turn signals
- CHMSL
- Rear combination lamp
- Side repeaters

Electronic signs and signals:

- Interior and exterior full color sign
- Variable message sign
- Garden lighting

Office automation, home appliances, industrial equipment:

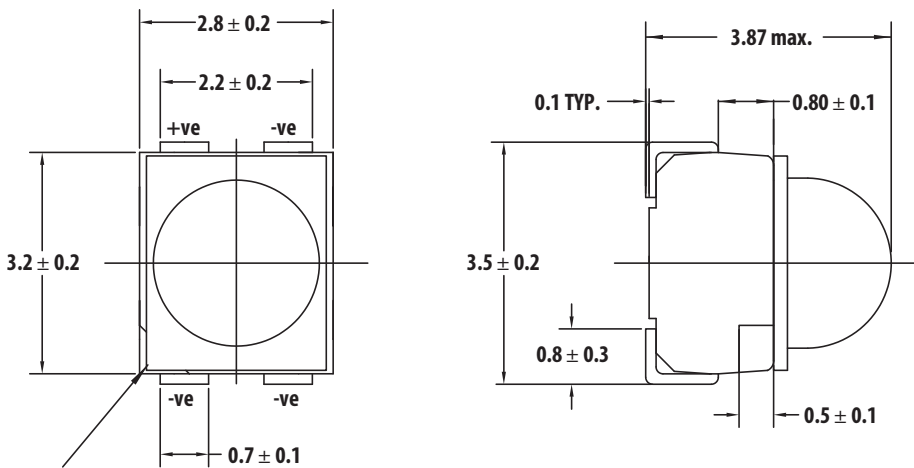
- Front panel backlighting
- Push button backlighting
- Display backlighting

CAUTION! This LED is ESD sensitive. Please observe appropriate precautions during handling and processing. Refer to application note AN-1142 for additional details.

The Broadcom Power PLCC-4 SMT LED with 30° Lens carries the part number HSMx- A43x-xxxxx. The high brightness AllnGaP and InGaN dice technologies used provide the product brightness that meets the Automotive and ESS market requirements. The lens package will complement and complete the existing AllnGaP and InGaN color standard Power-PLCC-4 LED that Broadcom offers, providing customers an extra lens option from one supplier.

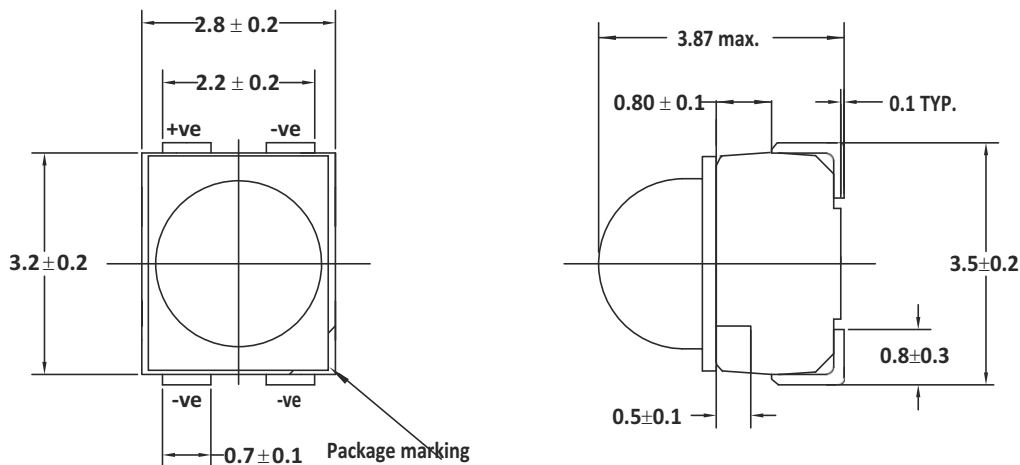
To facilitate easy pick-and-place assembly, the LEDs are packed in EIA-compliant tape and reel. Every reel is shipped in single intensity and color bin (except for the red color), to provide close uniformity.

Figure 1: Package Dimensions Source A



Package marking

Figure 2: Package Dimensions Source B



NOTE:

1. All dimensions are in mm.
2. Electrical connection between all cathodes is recommended.

Device Selection Guide

| Color | Part Number | Min. I_V (mcd) | Typ. I_V (mcd) | Max. I_V (mcd) | Test Current (mA) | Dice Technology |
|------------|-----------------|------------------|------------------|------------------|-------------------|-----------------|
| Red | HSMC-A430-W50M1 | 1125 | 2300 | 3550 | 50 | AllnGaP |
| | HSMC-A431-X90M1 | 2240 | 4000 | 7150 | 50 | AllnGaP |
| | HSMC-A431-Y70M1 | 3550 | — | 7150 | 50 | AllnGaP |
| | HSMC-A431-Y80M1 | 3550 | — | 9000 | 50 | AllnGaP |
| Red Orange | HSMJ-A430-W50M1 | 1125 | 2300 | 3550 | 50 | AllnGaP |
| | HSMJ-A431-X90M1 | 2240 | 4500 | 7150 | 50 | AllnGaP |
| | HSMJ-A431-Y70M1 | 3550 | — | 7150 | 50 | AllnGaP |
| Orange | HSML-A431-X90M1 | 2240 | 4500 | 7150 | 50 | AllnGaP |
| Amber | HSMA-A430-W90M1 | 1400 | 3000 | 4500 | 50 | AllnGaP |
| | HSMA-A431-Y00M1 | 2850 | 5000 | — | 50 | AllnGaP |
| | HSMA-A431-X90M1 | 2240 | 4700 | 7150 | 50 | AllnGaP |
| | HSMA-A431-Z50M1 | 4500 | — | 14000 | 50 | AllnGaP |
| | HSMA-A431-Z5WM1 | 4500 | — | 14000 | 50 | AllnGaP |
| Green | HSMM-A430-X90M2 | 2240 | — | 7150 | 30 | InGaN |
| | HSMM-A430-Y3YM2 | 2850 | — | 5600 | 30 | InGaN |
| | HSMM-A430-Y7YM2 | 3550 | — | 7150 | 30 | InGaN |
| Blue | HSMN-A430-V50M2 | 715 | — | 2240 | 30 | InGaN |
| | HSMN-A430-V7YM2 | 900 | — | 1800 | 30 | InGaN |

NOTE:

1. The luminous intensity, I_V , is measured at the mechanical axis of the lamp package. The actual peak of the spatial radiation pattern might not be aligned with this axis.
2. I_V tolerance is $\pm 12\%$.

Part Numbering System

H S M x₁ - A x₂ x₃ x₄ - x₅ x₆ x₇ x₈ x₉

| Code | Description | Option |
|-------------------------------|-------------------------------|---|
| x ₁ | LED Chip Color | A Amber |
| | | C Red |
| | | J Red Orange |
| | | L Orange |
| | | M Green |
| | | N Blue |
| x ₂ | Package Type | 4 PLCC-4 |
| x ₃ x ₄ | Device Specific Configuration | — |
| x ₅ | Minimum Intensity Bin Limits | Refer Intensity Bin Limit |
| x ₆ | Intensity Bin Select | 0 Full Distribution |
| | | 2 2 half bins starting from X ₅ 1 |
| | | 3 3 half bins starting from X ₅ 1 |
| | | 4 4 half bins starting from X ₅ 1 |
| | | 5 5 half bins starting from X ₅ 1 |
| | | 6 2 half bins starting from X ₅ 2 |
| | | 7 3 half bins starting from X ₅ 2 |
| | | 8 4 half bins starting from X ₅ 2 |
| | | 9 5 half bins starting from X ₅ 2 |
| x ₇ | Color Bin Select | 0 Full Distribution |
| | | Z A and B only |
| | | Y B and C only |
| | | W C and D only |
| | | V D and E only |
| | | U E and F only |
| | | T F and G only |
| | | S G and H only |
| | | Q A, B and C only |
| | | P B, C and D only |
| | | N C, D and E only |
| | | M D, E and F only |
| | | L E, F and G only |
| | | K F, G and H only |
| 1 A, B, C and D only | | |
| 2 E, F G and H only | | |
| x ₈ x ₉ | Packaging Option | M1 50-mA test current, top mount, 13 inch reel size |
| | | M2 30-mA test current, top mount, 13 inch reel size |

Intensity Bin Limits

| Bin ID | Min. I_V (mcd) | Max. I_V (mcd) |
|--------|------------------|------------------|
| U1 | 450.00 | 560.00 |
| U2 | 560.00 | 715.00 |
| V1 | 715.00 | 900.00 |
| V2 | 900.00 | 1125.00 |
| W1 | 1125.00 | 1400.00 |
| W2 | 1400.00 | 1800.00 |
| X1 | 1800.00 | 2240.00 |
| X2 | 2240.00 | 2850.00 |
| Y1 | 2850.00 | 3550.00 |
| Y2 | 3550.00 | 4500.00 |
| Z1 | 4500.00 | 5600.00 |
| Z2 | 5600.00 | 7150.00 |
| 11 | 7150.00 | 9000.00 |
| 12 | 9000.00 | 11250.00 |
| 21 | 11250.00 | 14000.00 |
| 22 | 14000.00 | 18000.00 |

Tolerance of each bin limit = $\pm 12\%$.

Color Bin Limits

| Blue | Min. (nm) | Max. (nm) |
|------|-----------|-----------|
| A | 460.0 | 465.0 |
| B | 465.0 | 470.0 |
| C | 470.0 | 475.0 |
| D | 475.0 | 480.0 |

| Green | Min. (nm) | Max. (nm) |
|-------|-----------|-----------|
| A | 515.0 | 520.0 |
| B | 520.0 | 525.0 |
| C | 525.0 | 530.0 |
| D | 530.0 | 535.0 |

| Amber | Min. (nm) | Max. (nm) |
|-------|-----------|-----------|
| A | 582.0 | 584.5 |
| B | 584.5 | 587.0 |
| C | 587.0 | 589.5 |
| D | 589.5 | 592.0 |
| E | 592.0 | 594.5 |
| F | 594.5 | 597.0 |

| Orange | Min. (nm) | Max. (nm) |
|--------|-----------|-----------|
| A | 597.0 | 600.0 |
| B | 600.0 | 603.0 |
| C | 603.0 | 606.0 |
| D | 606.0 | 609.0 |
| E | 609.0 | 612.0 |

| Red Orange | Min. (nm) | Max. (nm) |
|------------|-----------|-----------|
| A | 611.0 | 616.0 |
| B | 616.0 | 620.0 |

| Red | Min. (nm) | Max. (nm) |
|-------------------|-----------|-----------|
| Full Distribution | | |

Absolute Maximum Ratings ($T_A = 25^\circ\text{C}$)

| Parameters | HSMC/C/J/L | HSMM/N | Unit |
|-----------------------------------|-------------|--------|------------------|
| DC Forward Current ^a | 70 | 30 | mA |
| Peak Forward Current ^b | 200 | 90 | mA |
| Power Dissipation | 180 | 114 | mW |
| Reverse Voltage | 5 | 4 | V |
| Junction Temperature | 110 | | $^\circ\text{C}$ |
| Operating Temperature | -40 to +100 | | $^\circ\text{C}$ |
| Storage Temperature | -40 to +100 | | $^\circ\text{C}$ |

a. Derate linearly as shown in Figure 7 and Figure 8.

b. Duty factor = 10%, frequency = 1 kHz.

Optical Characteristics ($T_A = 25^\circ\text{C}$)

| Color | Part Number | Dice Technology | Peak Wavelength, λ_{PEAK} (nm) | Dominant Wavelength, λ_{D} ^a (nm) | Viewing Angle, $2\theta_{1/2}$ ^b (Degrees) | Luminous Efficacy, η_{V} ^c (lm/W) |
|------------|-------------|-----------------|---|---|---|--|
| | | | Typical | Typical | Typical | Typical |
| Red | HSMC-A43x | AllnGaP | 635 | 626 | 30 | 150 |
| Red Orange | HSMJ-A43x | AllnGaP | 621 | 615 | 30 | 240 |
| Orange | HSML-A431 | AllnGaP | 609 | 605 | 30 | 320 |
| Amber | HSMA-A43x | AllnGaP | 592 | 590 | 30 | 480 |
| Green | HSMM-A430 | InGaN | 518 | 525 | 30 | 500 |
| Blue | HSMN-A430 | InGaN | 468 | 470 | 30 | 75 |

a. The dominant wavelength, λ_{D} , is derived from the CIE Chromaticity Diagram and represents the color of the device.

b. $\theta_{1/2}$ is the off-axis angle where the luminous intensity is $1/2$ the peak intensity.

c. Radiant intensity, I_e in watts/steradian, can be calculated from the equation $I_e = I_{\text{V}}/\eta_{\text{V}}$, where I_{V} is the luminous intensity in candelas and η_{V} is the luminous efficacy in lumens/watt.

Electrical Characteristics ($T_A = 25^\circ\text{C}$)

| Part Number | Forward Voltage, V_{F} (Volts) at $I_{\text{F}} = 50 \text{ mA}$ | | | Reverse Voltage, V_{R} at $100 \mu\text{A}$ | Reverse Voltage, V_{R} at $10 \mu\text{A}$ |
|-------------|---|------|------|--|---|
| | Min. | Typ. | Max. | Min. | Min. |
| HSMC/J/L/A | 1.7 | 2.2 | 2.5 | 5 | — |

| Part Number | Forward Voltage V_{F} (Volts) at $I_{\text{F}} = 30 \text{ mA}$ | | | Reverse Voltage V_{R} at $100 \mu\text{A}$ | Reverse Voltage V_{R} at $10 \mu\text{A}$ |
|-------------|--|------|------|---|--|
| | Min. | Typ. | Max. | Min. | Min. |
| HSMM/N | 2.7 | 3.9 | 4.6 | — | 5 |

Figure 3: Relative Intensity vs. Wavelength

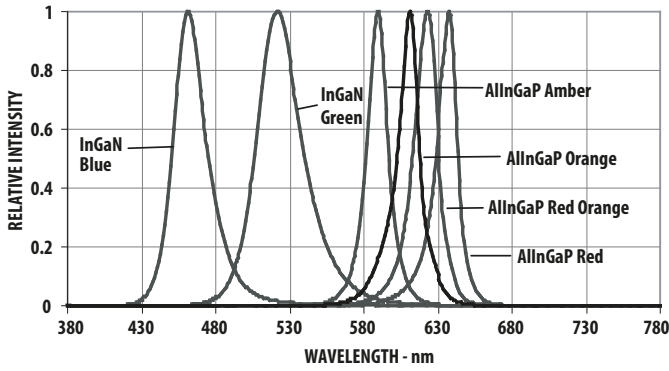


Figure 4: Forward Current vs. Forward Voltage

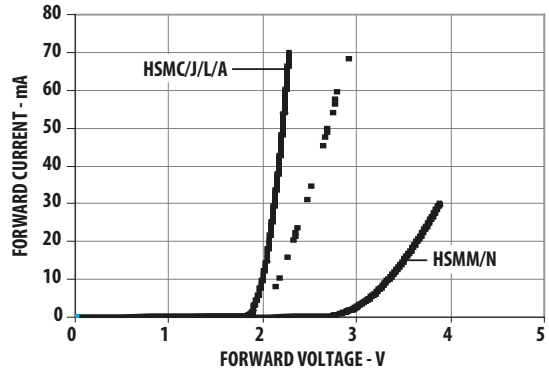


Figure 5: Relative Intensity vs. Forward Current (AllInGaP)

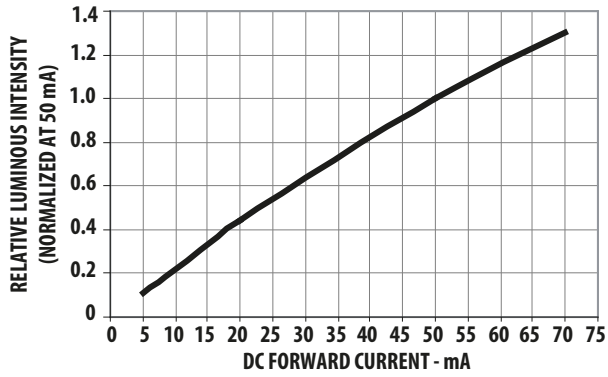


Figure 6: Relative Intensity vs. Forward Current (InGaN)

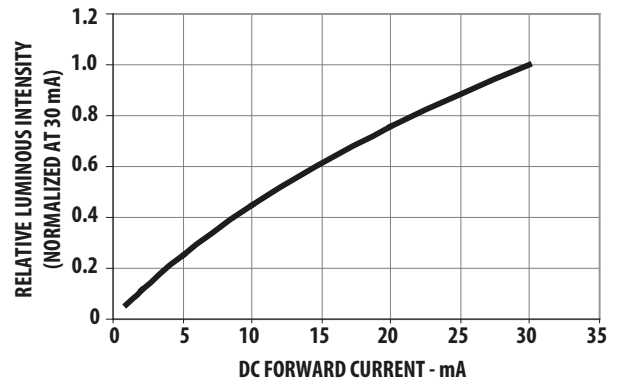


Figure 7: Maximum Forward Current vs. Ambient Temperature. Derated Based on TJmax = 110 °C (AllInGaP)

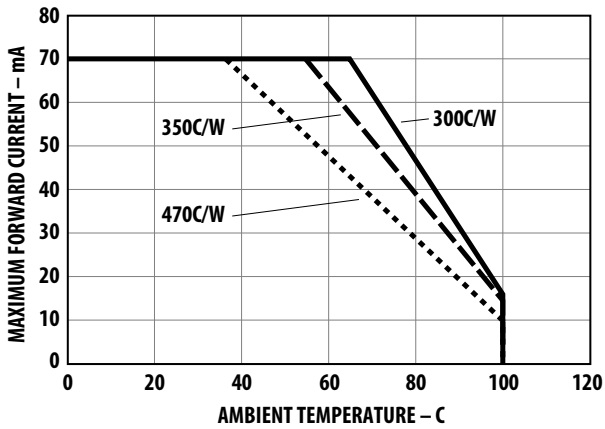


Figure 8: Maximum Forward Current vs. Ambient Temperature. Derated Based on TJmax = 110 °C (InGaN)

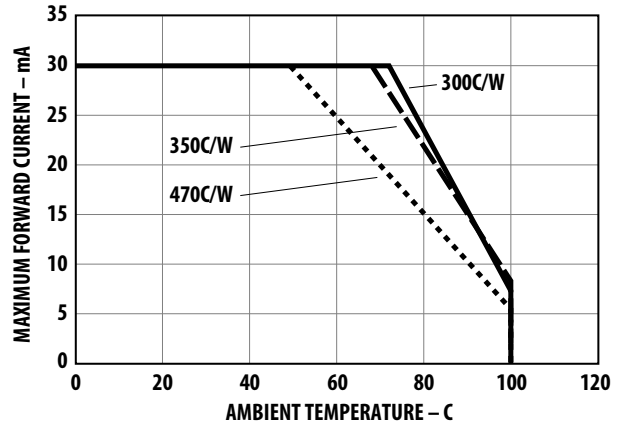


Figure 9: Radiation Pattern

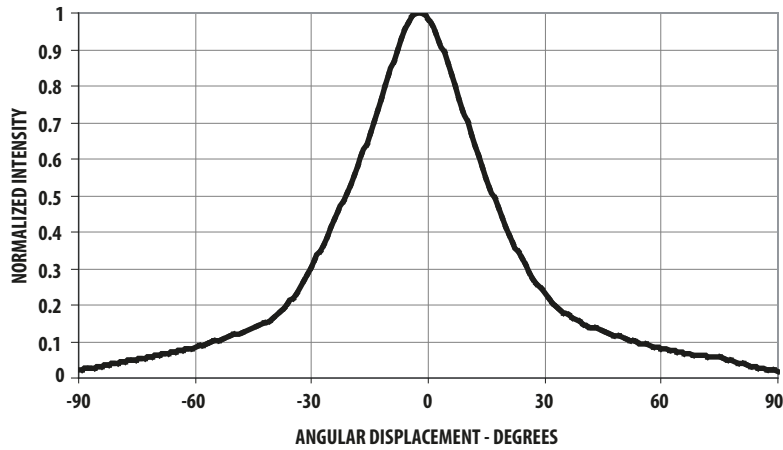


Figure 10: Recommended Soldering Pad Pattern (IR Reflow)

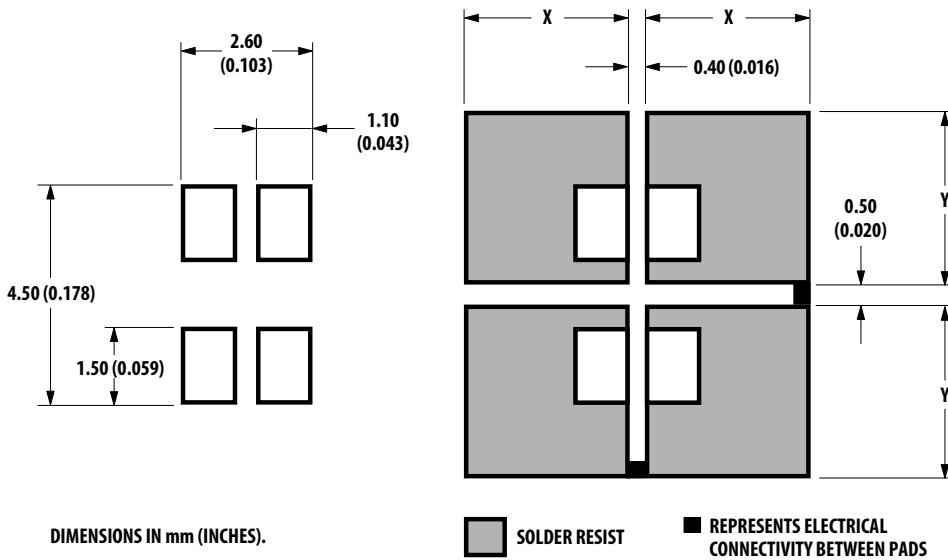


Figure 11: Soft Tip Vacuum Pick-Up Tool for Extracting SMD LED Components from Carrier Tape

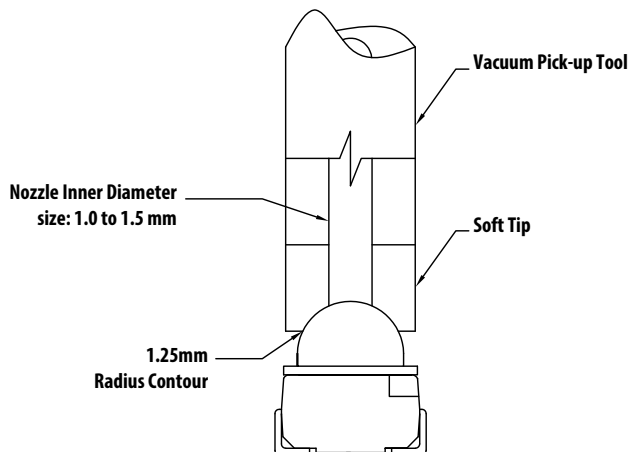


Figure 12: Recommended Pb-Free Reflow Soldering Profile

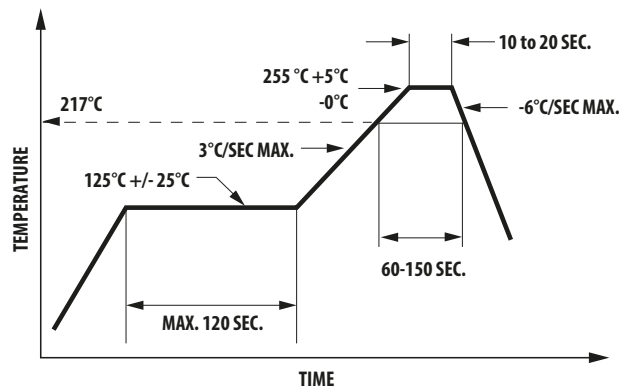


Figure 13: Tape Leader and Trailer Dimensions

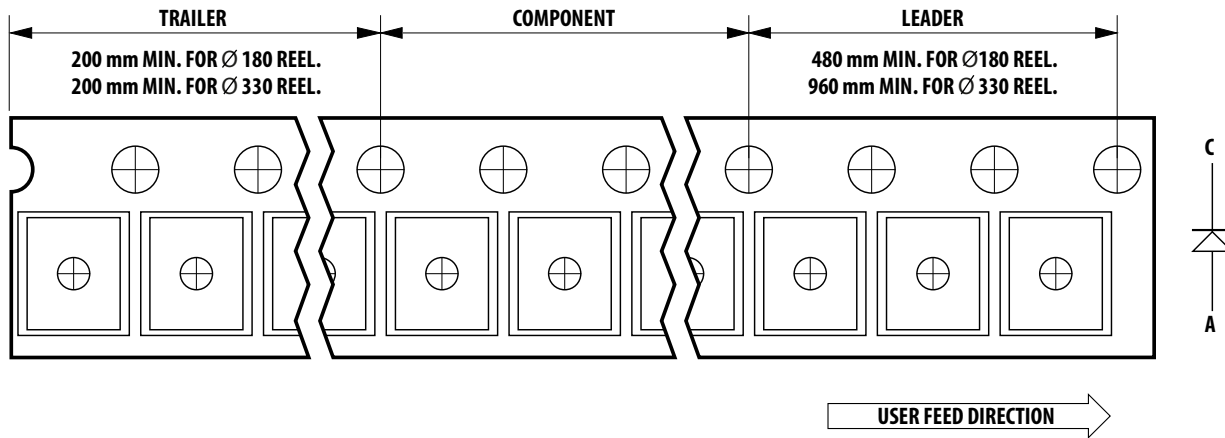


Figure 14: Tape Dimensions

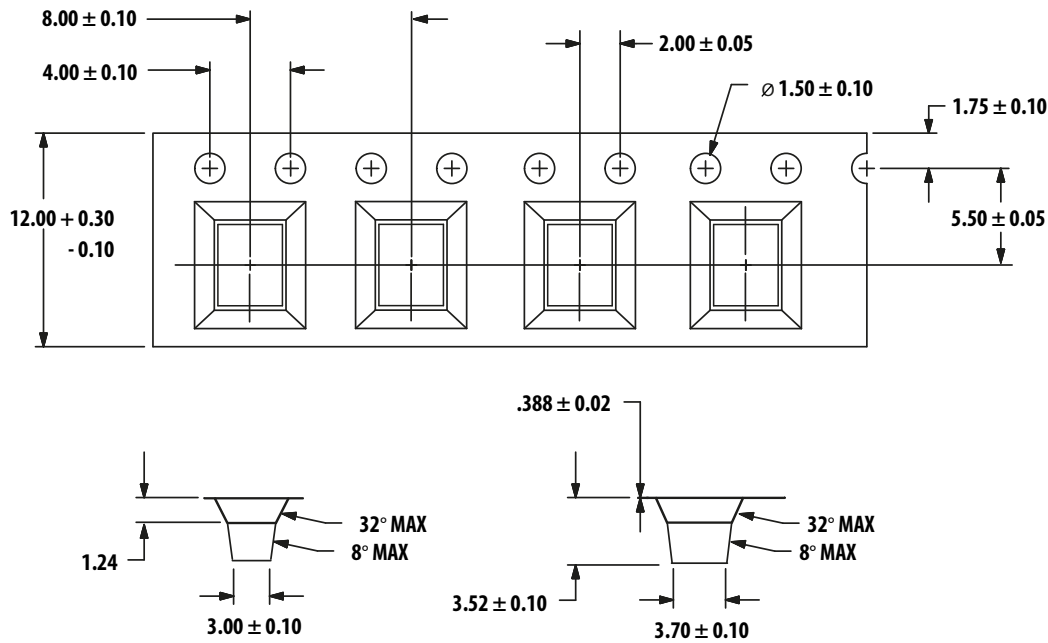
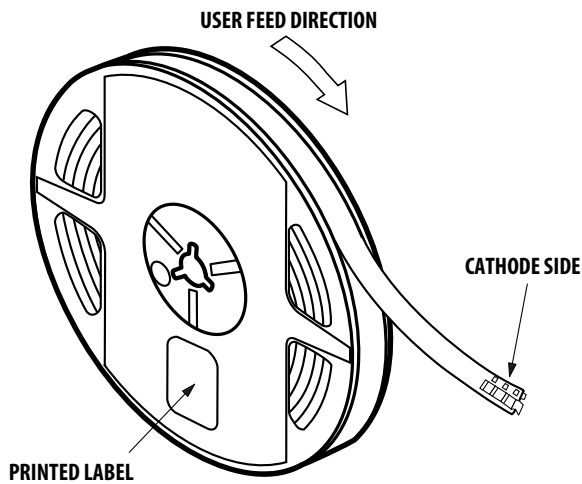


Figure 15: Reeling Orientation

Handling of Moisture-Sensitive Devices

This product is qualified as Moisture Sensitive Level 2a per JEDEC J-STD-020. The following precautions for handling this moisture-sensitive product will help to ensure the reliability of the product. Refer to Broadcom Application Note AN5305, *Handling of Moisture Sensitive Surface Mount Devices*, for details.

- Before use:
 - An unopened moisture barrier bag (MBB) can be stored at $40^{\circ}\text{C}/90\% \text{RH}$ for 12 months. If the actual shelf life has exceeded 12 months and the humidity indicator card (HIC) indicates that baking is not required, it is safe to reflow the LEDs per the original MSL rating.
 - Do not open the MBB prior to assembly (for example, for IQC).
- Control after opening the MBB:
 - Read the HIC immediately upon opening of the MBB.
 - Keep the LEDs at $30^{\circ}\text{C}/60\% \text{RH}$ at all times, and complete all high temperature-related processes, including soldering, curing, or rework within 672 hours.
- Control for unfinished reel:

Store unused LEDs in a sealed MBB with desiccant or a desiccator at $5\% \text{RH}$.

- Control of assembled boards:

If the PCB soldered with the LEDs is to be subjected to other high-temperature processes, store the PCB in a sealed MBB with desiccant or desiccator at $5\% \text{RH}$ to ensure that all LEDs have not exceeded their floor life of 672 hours.
- Baking is required if the following conditions exist:
 - The HIC indicator indicates a change in color for 10% and 5%, as stated on the HIC.
 - The LEDs are exposed to conditions of $30^{\circ}\text{C}/60\% \text{RH}$ at any time.
 - The LED's floor life exceeded 672 hours.

The recommended baking condition is $60^{\circ}\text{C} \pm 5^{\circ}\text{C}$ for 20 hours.

Baking can only be done once.

Copyright © 2016–2022 Broadcom. All Rights Reserved. The term “Broadcom” refers to Broadcom Inc. and/or its subsidiaries. For more information, go to www.broadcom.com. All trademarks, trade names, service marks, and logos referenced herein belong to their respective companies.

Broadcom reserves the right to make changes without further notice to any products or data herein to improve reliability, function, or design. Information furnished by Broadcom is believed to be accurate and reliable. However, Broadcom does not assume any liability arising out of the application or use of this information, nor the application or use of any product or circuit described herein, neither does it convey any license under its patent rights nor the rights of others.



Lead (Pb) Free
RoHS Compliant