
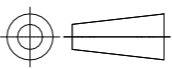


REVISIONS					
P	LTR	DESCRIPTION	DATE	DWN	APVD
	C	RESIN SUPPLIER CHANGE FOR THE HOUSING	17MAY2022	SCB	PS

### PACKAGING AND PRODUCT DETAILS:

PIN HEADER PACKED IN TUBE: SEE DRAWING 966306 (PdNi+GOLD FLASH AT CONTACT AREA)  
 PIN HEADER PACKED IN BLISTER: SEE DRAWING 1241150 (PdNi+GOLD FLASH AT CONTACT AREA)

THIS DRAWING IS A CONTROLLED DOCUMENT.		DWN A.HO 08.11.93	 <b>TE Connectivity</b>		
DIMENSIONS: mm		CHK M.SCHAARSCHMIDT 08.11.93			
		APVD -	NAME AMPMODU II STIFTLISTE EINREIHIG,SMD-VERSION		
TOLERANCES UNLESS OTHERWISE SPECIFIED:		PRODUCT SPEC -	APPLICATION SPEC -		
0 PLC ± - 1 PLC ± - 2 PLC ± - 3 PLC ± - 4 PLC ± - ANGLES ± -		WEIGHT -	SIZE A3	CAGE CODE 00779	DRAWING NO C-966710
MATERIAL -	FINISH -	CUSTOMER DRAWING		SCALE -	SHEET 1 OF 1
				RESTRICTED TO -	REV C