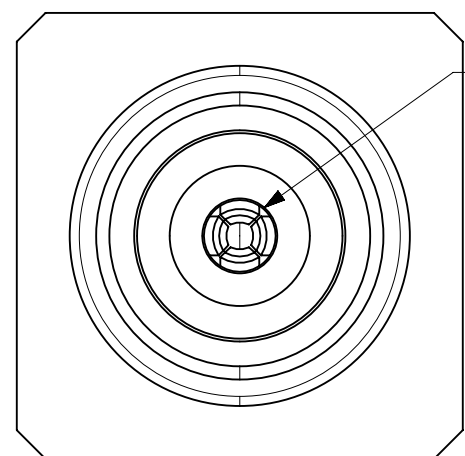


MATERIALS & FINISHES:

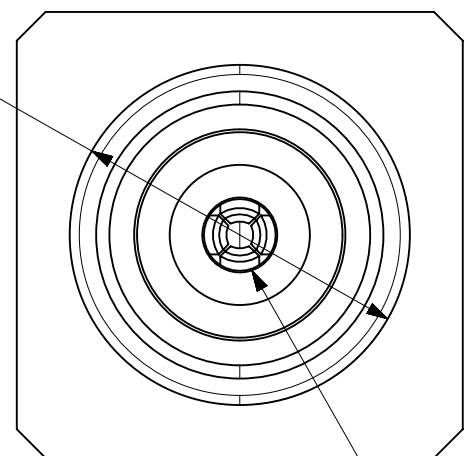
BODY: BRASS
PLATING: SEE TABLE

CONTACT: BERYLLIUM COPPER
PLATING: GOLD 30u"

INSULATOR: TEFLON

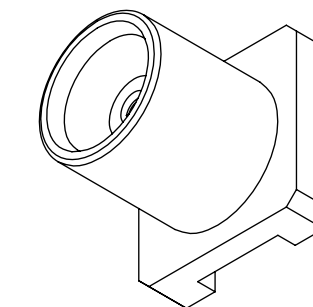
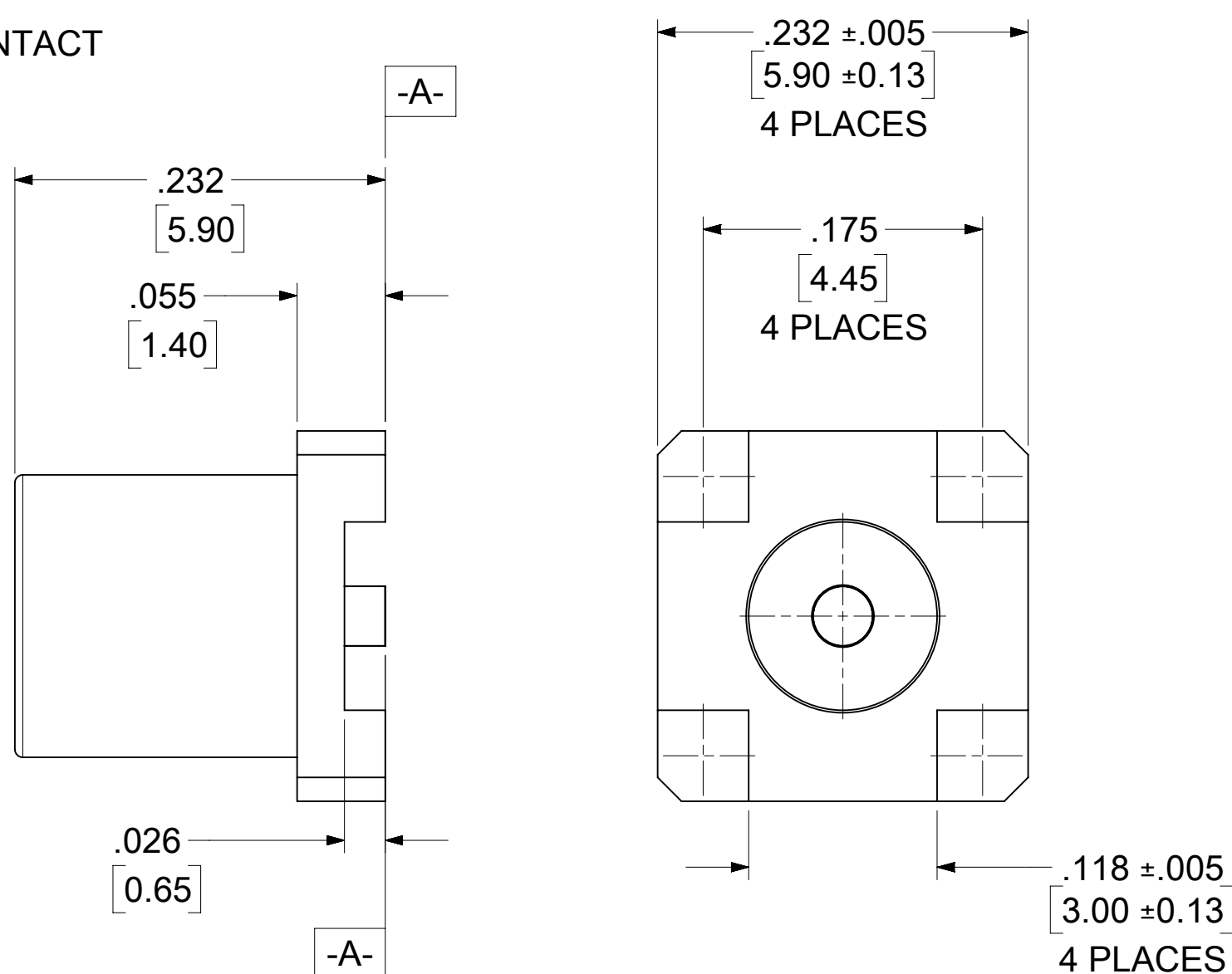


73415-1696
4 SLOT CONTACT

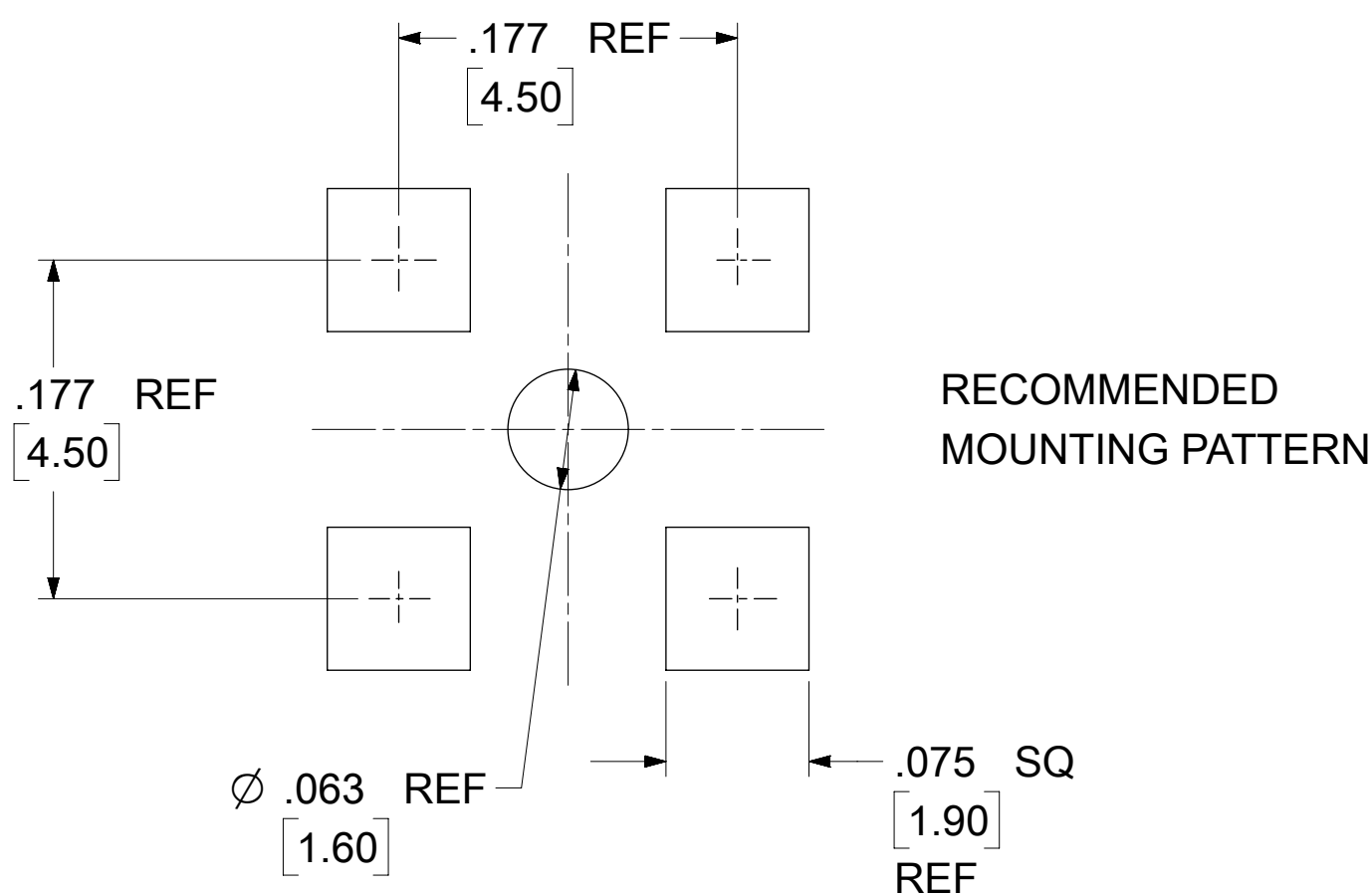


Ø .177
[4.50]

NOTE:
73415-1696 AND 73415-1697 WITH 4 SLOTS.
ALL OTHERS WITH 2 SLOT CONTACT.



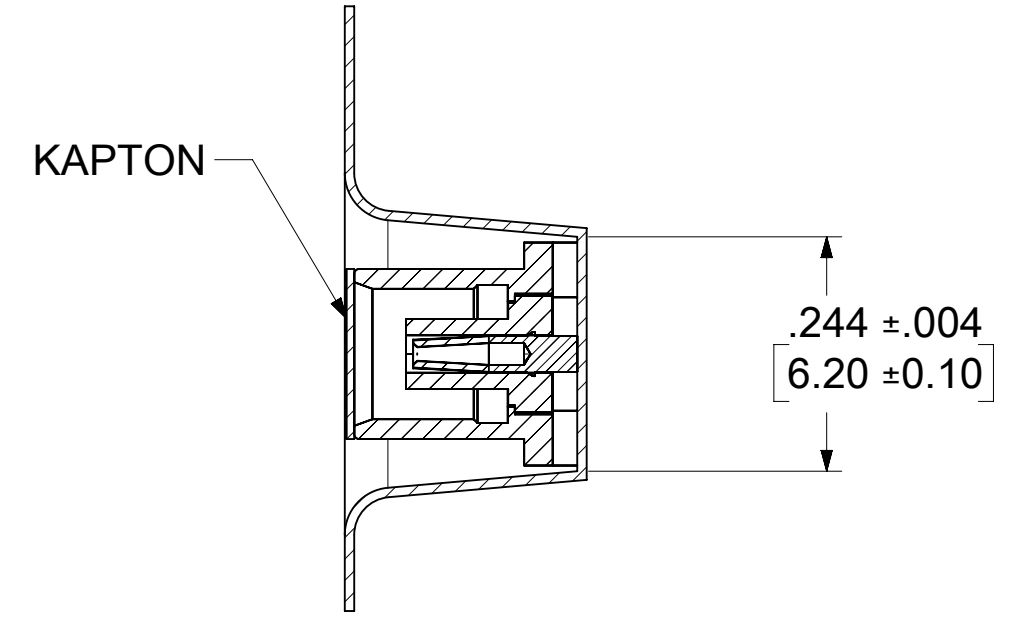
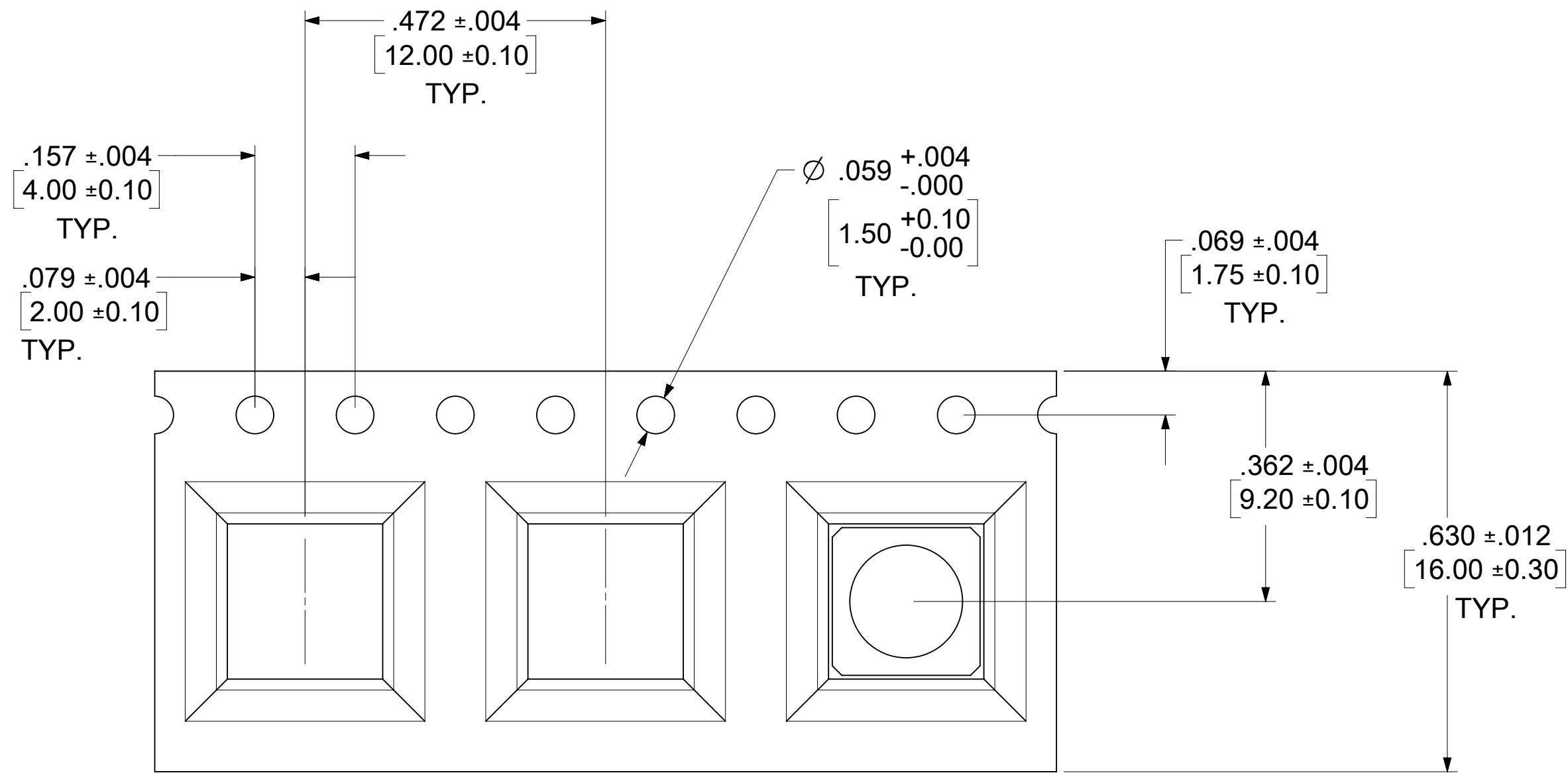
CONTACT TO BE FLUSH
-TO .004(0.10) BELOW
SURFACE



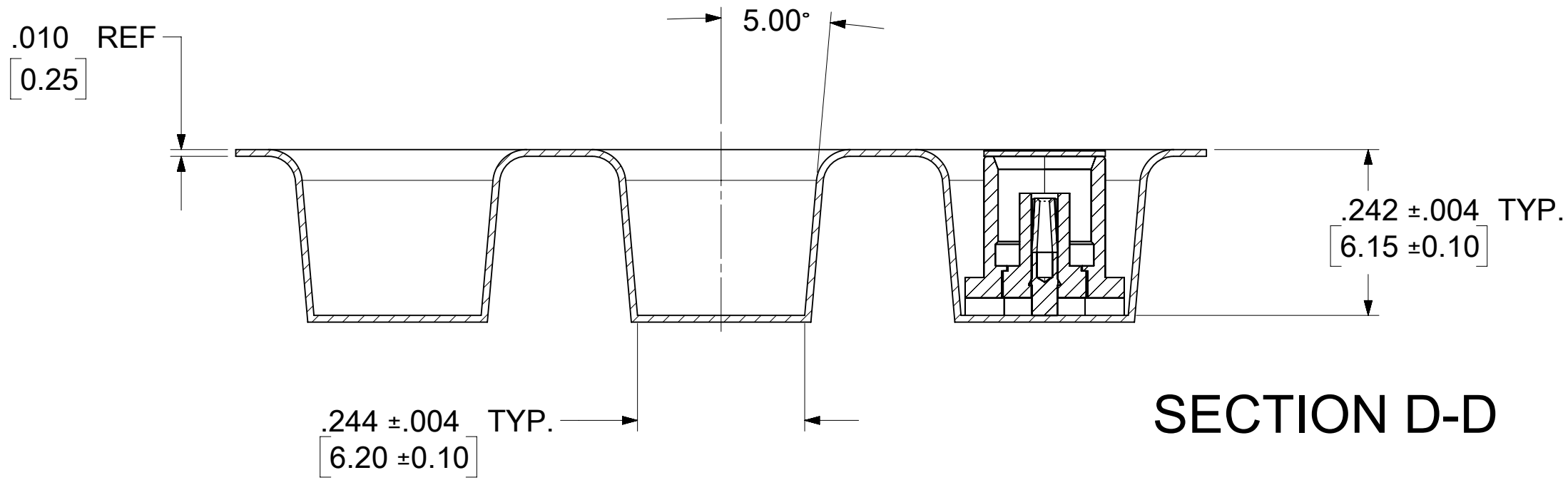
73366-6510	73415-1691 WITH T&R SEE SHEET2 NOTE	GOLD (1 u")
73415-1699	ONE PIECE PER BAG	GOLD (1 u")
73415-1698	T&R SEE SHEET2 NOTE	GOLD (30 u")
73415-1697	73415-1696 WITH T&R SEE SHEET2 NOTE	GOLD (1 u")
73415-1696	GENERAL	GOLD (1 u")
73415-1695	73415-1690 WITH T&R SEE SHEET2 NOTE	NICKEL
73415-1694	73415-1691 PACKAGING SMALL TRAY	GOLD (1 u")
73415-1693	73415-1690 PACKAGING SMALL TRAY	NICKEL
73415-1692	73415-1691 WITH T&R SEE SHEET2 NOTE	GOLD (1 u")
73415-1691	BAG (500 PCS PER BAG)	GOLD (1 u")
73415-1690	BAG (500 PCS PER BAG)	NICKEL
PART NO.	PACKAGING	BODY PLATING

PS-89675-1830	PERFORMANCE
SPECIFICATION	DESCRIPTION

FUNCTIONAL SYMBOLS FA = 0 FC = 0 FP = 0	THIS DRAWING CONTAINS INFORMATION THAT IS PROPRIETARY TO MOLEX ELECTRONIC TECHNOLOGIES, LLC AND SHOULD NOT BE USED WITHOUT WRITTEN PERMISSION		 MCX PCB/SMT JACK 50 OHM MCX-J/PCB/SMT EWR-1148	
	DIMENSION UNITS	SCALE		
DIVISIONAL SYMBOLS	IN/MM	NTS	EC NO: 672469	2021/06/07
	GENERAL TOLERANCES (UNLESS SPECIFIED)		DRWN: CWEI02	2021/08/06
DRAFT WHERE APPLICABLE MUST REMAIN WITHIN DIMENSIONS	ANGULAR TOL	± 2.0°	CHK'D: YCHENG	2021/08/06
	4 PLACES	±	APPR: YCHENG	2021/08/06
	3 PLACES	±	INITIAL REVISION:	
	2 PLACES	± .01 / 0.25	DRWN: LMB	2000/11/09
THIRD ANGLE PROJECTION		DRAWING	APPR: JWIENER	2010/04/23
C-SIZE		SERIES	DOCUMENT NUMBER	
73415		MATERIAL NUMBER	SD-73415-169	
SEE TABLE		CUSTOMER	PSD 001 B6	
GENERAL MARKET		DOC TYPE		DOC PART
1 OF 2		REVISION		



SECTION B-B



SECTION D-D

NOTE:
750 CONNECTOR PER REEL ON 13 INCH REEL,
16mm TAPE, 12mm CAVITY PITCH
TAPE CAP ON EACH PART

FUNCTIONAL SYMBOLS $\nabla_A = 0$ $\nabla_C = 0$ $\nabla_P = 0$ DIVISIONAL SYMBOLS 4 PLACES ± 3 PLACES ± 2 PLACES ± .01 / 0.25 1 PLACE ± 0 PLACES ±	THIS DRAWING CONTAINS INFORMATION THAT IS PROPRIETARY TO MOLEX ELECTRONIC TECHNOLOGIES, LLC AND SHOULD NOT BE USED WITHOUT WRITTEN PERMISSION		CURRENT REV DESC: UPDATED TOLERANCE PER EWR14541-A					
	DIMENSION UNITS	SCALE	EC NO: 672469					
	IN/MM	NTS	DRWN: CWEI02 2021/06/07					
	GENERAL TOLERANCES (UNLESS SPECIFIED)		CHK'D: YCHENG 2021/08/06					
ANGULAR TOL ± 2.0°		APPR: YCHENG 2021/08/06		PRODUCT CUSTOMER DRAWING				
DRAFT WHERE APPLICABLE MUST REMAIN WITHIN DIMENSIONS		THIRD ANGLE PROJECTION	DRAWING	SERIES	DOCUMENT NUMBER	DOC TYPE	DOC PART	REVISION
			C-SIZE	73415	SD-73415-169	PSD	001	B6
					SEE TABLE	GENERAL MARKET		SHEET NUMBER
								2 OF 2