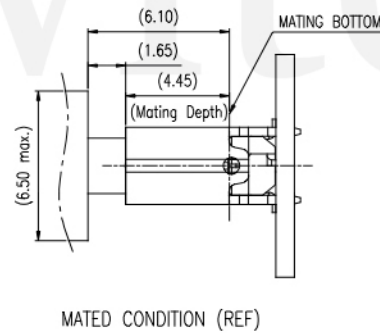
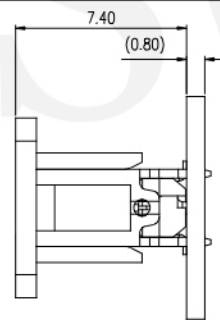
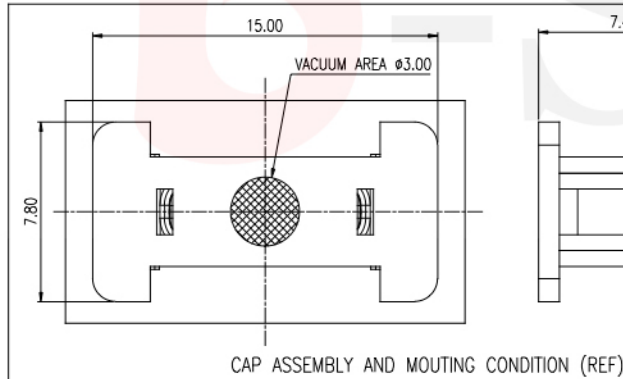


A1	GND	B12	GND
A2	SSTXP1	B11	SSRXP1
A3	SSTXN1	B10	SSRXN1
A4	VBUS	B9	VBUS
A5	CC1	B8	SBU2
A6	DP1	B7	DN2
A7	DN1	B6	DP2
A8	SBU1	B5	CC2
A9	VBUS	B4	VBUS
A10	SSRXN2	B3	SSTXN2
A11	SSRXP2	B2	SSTXP2
A12	GND	B1	GND
PIN	SIGNAL NAME	PIN	SIGNAL NAME



NOTE:

1. MECHANICAL:

- 1-1. MATING FORCE: 0.5~2.0Kgf
- 1-2. UMMATING FORCE: Initial: 0.8~2.0Kgf
After 500 to 10,000cycles: 0.6~2.0Kgf
- 1-3. FREQUENCY: 200±50 CYCLES/HOUR, 10000 CYCLES;

2. ELECTRICAL CHARACTERISTICS:

- 2-1. CURRENT RATING: 1.25A/PIN FOR VBUS AND GND
0.25 A FOR OTHER PINS
 - 2-2. INITIAL CONTACT RESISTANCE: 40mΩ Max.
 - 2-3. INSULATION RESISTANCE: 100MΩ MIN
 - 2-4. WITHSTANDING VOLTAGE: 100V AC, 1 MINUTE;
3. ENVIRONMENTAL
TEMPERATURE RANGE: -25°C TO +85°C.



G-Switch Electronic (HongKong) CO.,Ltd.

Unless otherwise specified, Tolerance:
X. ±0.30
X.x ±0.20
X.xx ±0.15
X.xxx ±0.10
Angles ±3°

DESIGN FengFengChen

DATE 2020.05.29

Molde code:

CHECKED

DATE

GT-USB-7061

APPROVED

DATE

<http://www.dg-switch.com>

REV.: X1 SCALE: 4:1 UNIT: mm

TEL:0769-82388879

SIZE: A4 SHEET: 1/1