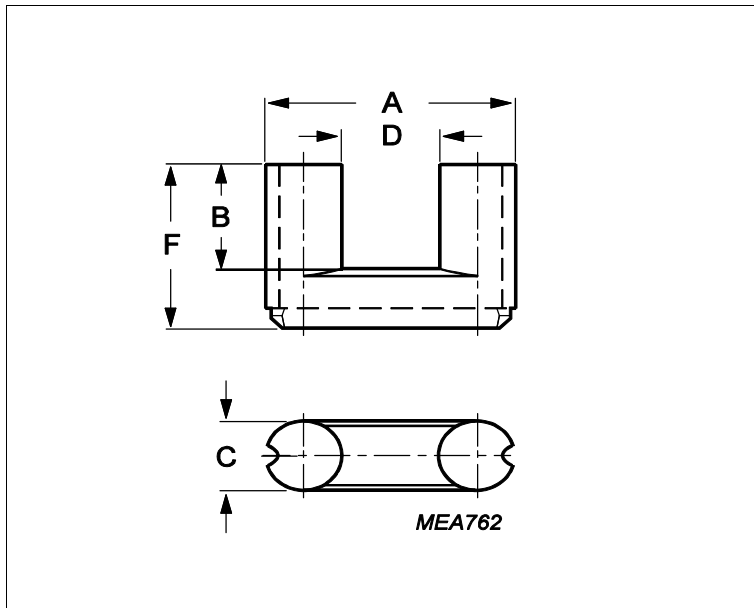


Core **UR70/33/17**



Effective parameters			
	Parameter	Value	Unit
$\Sigma(I/A)$	core factor (C1)	0.921	mm ⁻¹
Ve	effective volume	43800	mm ³
Le	effective length	197	mm
Ae	effective area	214	mm ²
Amin	minimum area		mm ²
m	UR70/33/17	≈ 103	g/pcs

Dimensions for product: UR70/33/17						
	Nom	Tol +	Tol -	Max	Min	Unit
A	68.37	2.00	2.00	70.37	66.37	mm
B	19.05	0.50	0.50	19.55	18.55	mm
C	17.25	0.40	0.40	17.65	16.85	mm
D	35.40	0.40	0.40	35.80	35.00	mm
F	33.35	0.20	0.20	33.55	33.15	mm

Inductance factor				
Material	Value	Tol +	Tol -	Unit
3C90	2900	25%	25%	nH/turns ²

Power loss: 3C90				
Measuring conditions			Max	Unit
25 kHz	200 mT	100 °C	5.300	W/set

Bsat					
Measuring conditions			Material	Min	Unit
10 kHz	250 A/m	100 °C	3C90	320	mT