

**MATERIALS AND FINISHES:**

BODY, JAM NUT: BRASS  
FINISH: SEE TABLE

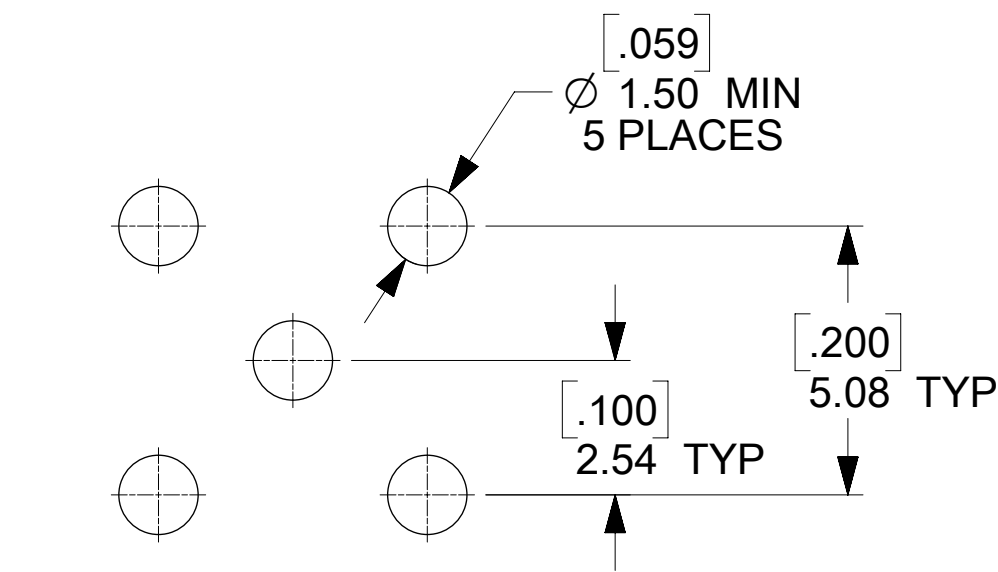
CENTER CONTACT: BERYLLIUM COPPER  
PLATED GOLD

INSULATOR: TEFLON

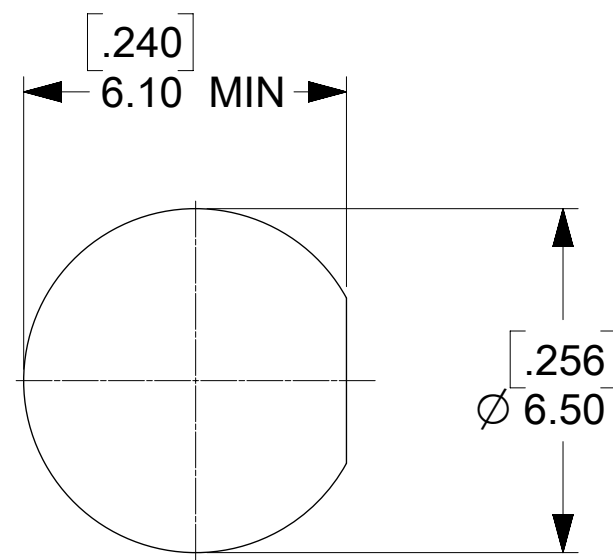
LOCKWASHER: PHOSPHOR BRONZE  
FINISH: SEE TABLE

**ELECTRICAL REQUIREMENTS:**

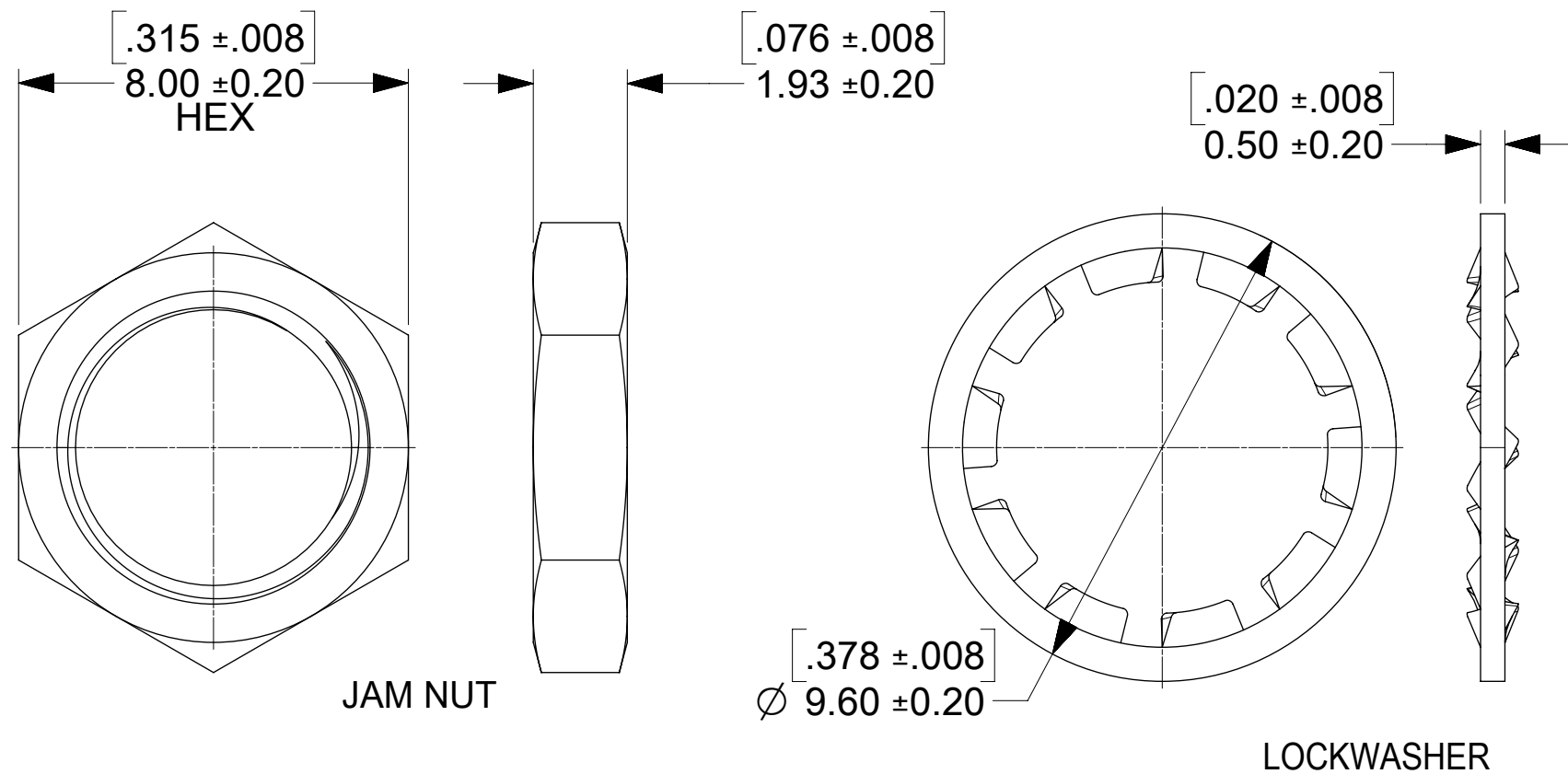
- VOLTAGE STANDING WAVE RATIO
  - 1.1(MAX) @0-6GHz.
  - 1.5(MAX) @6-12GHz.
  - 1.8(MAX) @12-18GHz.
- RF INSERTION LOSS:
  - 0.1(MAX) @0-6GHz.
  - 0.4(MAX) @6-12GHz.
  - 0.7(MAX) @12-18GHz.



RECOMMENDED PCB LAYOUT



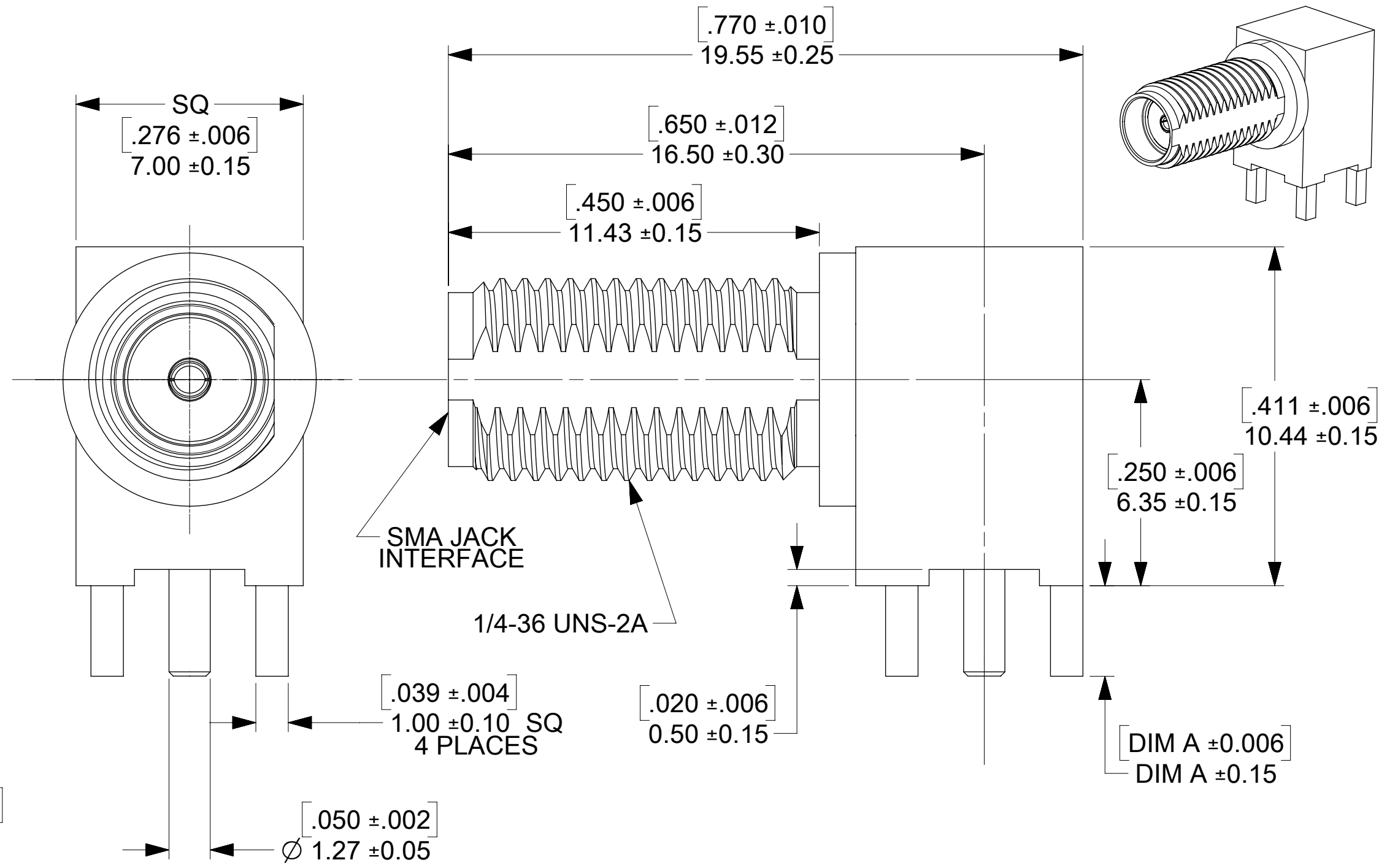
RECOMMENDED PANEL CUTOUT



JAM NUT

LOCKWASHER

PS-89675-368	SOLDER SPEC PROFILE
PS-89675-346	ELECTRO/MECH PERFORM.
SPECIFICATION	DESCRIPTION



SEE SD-73251-496 FOR PART NO. CONTINUATION

73251-2209	GOLD FLASH / STANDARD TRAY	3.94	.155
73251-2208	GOLD FLASH/STANDARD TRAY W/O WASHER AND NUT	3.94	.155
73251-2207	73251-2201 PACKAGED ONE PER BAG	2.79	.110
73251-2206	SAME AS 73251-2201 EXCEPT COMMERCIAL CONTACT	2.79	.110
73251-2205	SAME AS 73251-2200 EXCEPT COMMERCIAL CONTACT	2.79	.110
73251-2204	GOLD FLASH/STANDARD TRAY W/O WASHER AND NUT	2.79	.110
73251-2203	GOLD FLASH / STANDARD TRAY (54 CAVITY)	2.79	.110
73251-2202	73251-2201 PACKAGED IN SMALL TRAY (20 CAVITY)	2.79	.110
73251-2201	GOLD / STANDARD TRAY	2.79	.110
73251-2200	NICKEL / STANDARD TRAY	2.79	.110
PART NO.	PLATING (BODY, NUT, LOCKWASHER) AND PACKAGING	mm	IN
		DIM A	

FUNCTIONAL SYMBOLS	THIS DRAWING CONTAINS INFORMATION THAT IS PROPRIETARY TO MOLEX ELECTRONIC TECHNOLOGIES, LLC AND SHOULD NOT BE USED WITHOUT WRITTEN PERMISSION			
	DIMENSION UNITS	SCALE	CURRENT REV DESC: ADD SOLDER SPEC NO. PER EWR14716-B	
$\nabla_A = 0$	mm	NTS		
$\nabla_C = 0$	GENERAL TOLERANCES (UNLESS SPECIFIED)			
	ANGULAR TOL ± °			
DIVISIONAL SYMBOLS	4 PLACES	±	EC NO: 675413	
	3 PLACES	±	DRWN: CWEI02	2021/08/24
	2 PLACES	±	CHK'D: YCHENG	2021/08/26
	1 PLACE	±	APPR: YCHENG	2021/08/26
0 PLACES	±	INITIAL REVISION:		
DRAFT WHERE APPLICABLE MUST REMAIN WITHIN DIMENSIONS		THIRD ANGLE PROJECTION	DRAWING	SERIES
			C-SIZE	73251
DOCUMENT STATUS		RELEASE DATE	MATERIAL NUMBER	CUSTOMER
P1	2021/08/26 10:31:44	SEE TABLE	GENERAL MARKET	
		DOC NUMBER	DOC TYPE	DOC PART
		SD-73251-220	PSD	000
		PRODUCT CUSTOMER DRAWING		REVISION
				D14
		SHEET NUMBER		
				1 OF 1

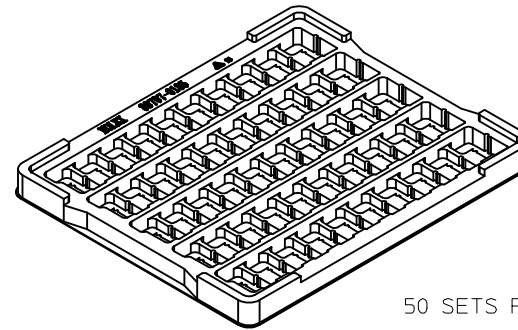
**molex**

SMA JACK, R/A PCB 50 OHM  
SMA-J/RA/PCB EWR-2144

DOCUMENT NUMBER: SD-73251-220  
DOC TYPE: PSD  
DOC PART: 000  
REVISION: D14

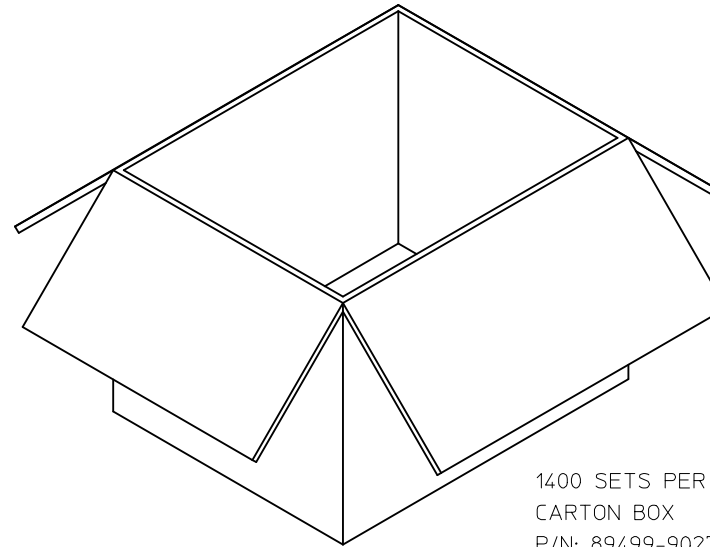


P/N: 73251-2200 / 73251-2201  
 73251-2205 / 73251-2206  
 73251-2208 / 73251-2209



50 SETS PER TRAY  
 TRAY P/N: 89707-0185

FOR 73251-2200, 73251-2201,  
 73251-2205, 73251-2206,  
 73251-2208, AND 73251-2209

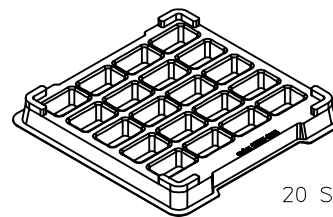


1400 SETS PER OUTER  
 CARTON BOX  
 P/N: 89499-9027

<b>CHG NEW RELEASE          PER RF13-E131</b> EC NO: URF2013-0734 DRAWN BY: RYEH 2013/06/28 CHKD: KERRIE APPR: MHUANG 2013/07/26 REV: A	QUALITY SYMBOLS 	GENERAL TOLERANCES (UNLESS SPECIFIED) <table border="1"> <thead> <tr> <th></th> <th>mm</th> <th>INCH</th> </tr> </thead> <tbody> <tr> <td>4 PLACES</td> <td>± .005</td> <td>± .0008</td> </tr> <tr> <td>3 PLACES</td> <td>± .005</td> <td>± .0008</td> </tr> <tr> <td>2 PLACES</td> <td>± .005</td> <td>± .0008</td> </tr> <tr> <td>1 PLACE</td> <td>± .005</td> <td>± .0008</td> </tr> <tr> <td>0 PLACE</td> <td>± .005</td> <td>± .0008</td> </tr> </tbody> </table>		mm	INCH	4 PLACES	± .005	± .0008	3 PLACES	± .005	± .0008	2 PLACES	± .005	± .0008	1 PLACE	± .005	± .0008	0 PLACE	± .005	± .0008	DIMENSION STYLE <b>MM/IN</b> DRAWN BY: RYEH DATE: 2013/06/28 CHECKED BY: KERRIE DATE: 2013/06/28 APPROVED BY: MHUANG DATE: 2013/07/26	SCALE: <b>2.5:1</b> DESIGN UNITS: <b>METRIC</b> 	TITLE: <b>SMA JACK R/A PCB TH          50 OHMS          SMA-J/PCB</b> <b>molex</b>	MATERIAL NO.: <b>SEE TABLE</b>	DOCUMENT NO.: <b>SD-73251-220-PKG</b>	SHEET NO.: <b>1 OF 4</b>
		mm	INCH																							
	4 PLACES	± .005	± .0008																							
	3 PLACES	± .005	± .0008																							
2 PLACES	± .005	± .0008																								
1 PLACE	± .005	± .0008																								
0 PLACE	± .005	± .0008																								
ANGULAR ± 2°		DRAFT WHERE APPLICABLE MUST REMAIN WITHIN DIMENSIONS		THIS DRAWING CONTAINS INFORMATION THAT IS PROPRIETARY TO MOLEX INCORPORATED AND SHOULD NOT BE USED WITHOUT WRITTEN PERMISSION																						

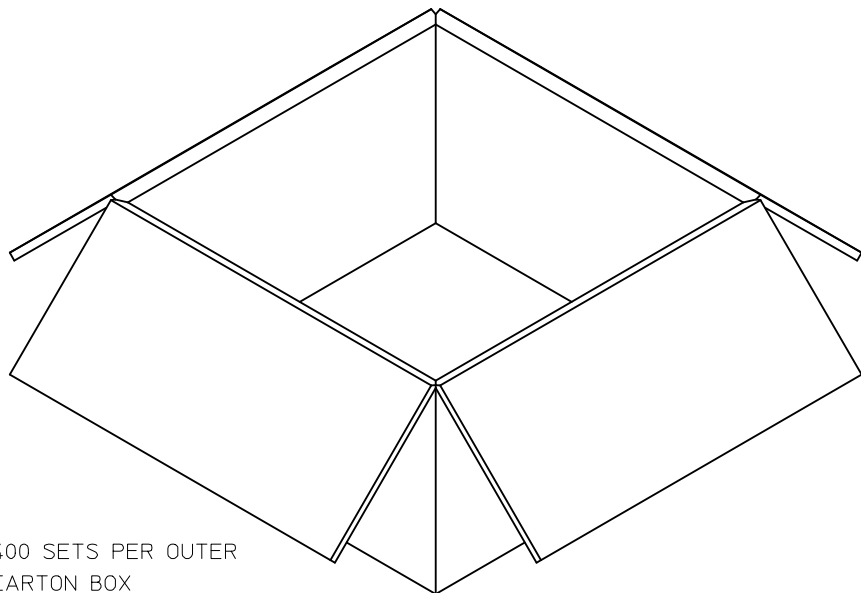


P/N: 73251-2202

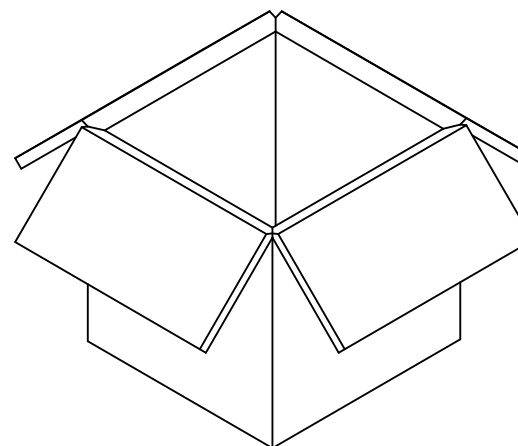


20 SETS PER TRAY  
TRAY P/N: 89707-0308

FOR 73251-2202 ONLY



400 SETS PER OUTER  
CARTON BOX  
P/N: 96707-0002



200 SETS PER INNER  
CARTON BOX  
P/N: 96707-0005

CHG:SEE SHEET 1  
EC NO: URF2013-0734  
DRAWN:RYEH 2013/06/28  
CHKD:  
APPR:MHUANG 2013/07/26

REV	DESCRIPTION	QUALITY SYMBOLS
A		▽=0
		▽=0
		▽=0

GENERAL TOLERANCES (UNLESS SPECIFIED)

	mm	INCH
4 PLACES	± ---	± ---
3 PLACES	± ---	± ---
2 PLACES	± ---	± ---
1 PLACE	± ---	± ---
0 PLACE	± ---	± ---

ANGULAR ± 2 °

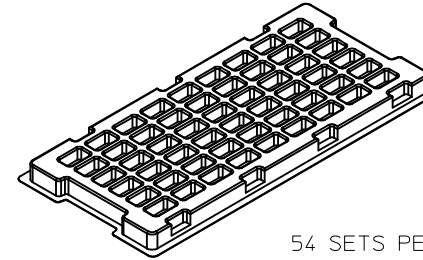
DRAFT WHERE APPLICABLE MUST REMAIN WITHIN DIMENSIONS

DIMENSION STYLE		SCALE		DESIGN UNITS	
MM/IN		2:1		METRIC	
DRAWN BY	DATE	TITLE			
RYEH	2013/06/28	SMA JACK R/A PCB TH			
CHECKED BY	DATE	50 OHMS			
KERRIE	2013/06/28	SMA-J/PCB			
APPROVED BY	DATE	<b>molex</b>			
MHUANG	2013/07/26	MATERIAL NO.		DOCUMENT NO.	
SEE TABLE		SD-73251-220-PKG		SHEET NO.	
SIZE		THIS DRAWING CONTAINS INFORMATION THAT IS PROPRIETARY TO MOLEX INCORPORATED AND SHOULD NOT BE USED WITHOUT WRITTEN PERMISSION		2 OF 4	

THIRD ANGLE PROJECTION

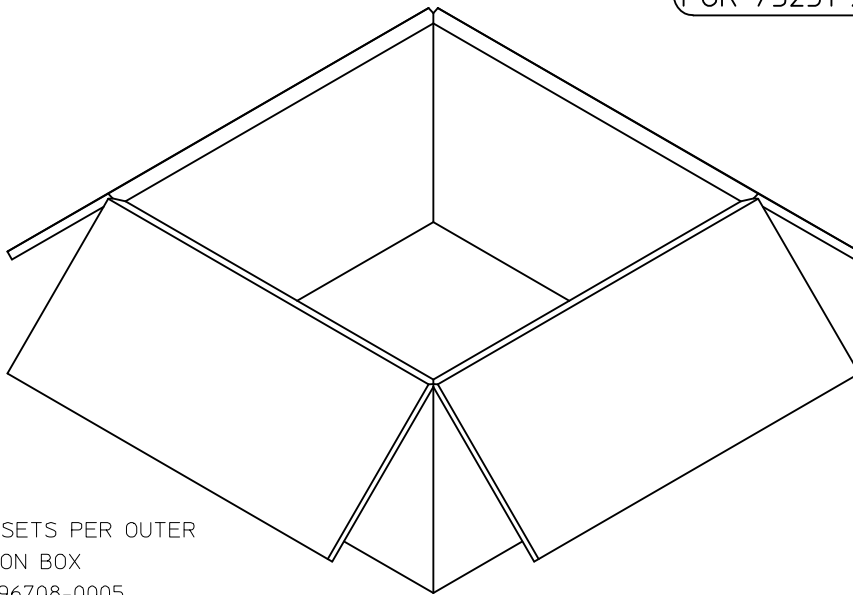


P/N: 73251-2203 / 73251-2204

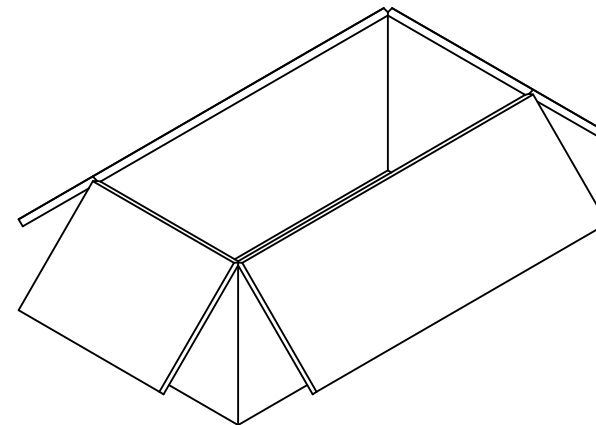


54 SETS PER TRAY  
TRAY P/N: 89707-0220

FOR 73251-2203 AND 73251-2204



1080 SETS PER OUTER  
CARTON BOX  
P/N: 96708-0005



540 SETS PER INNER  
CARTON BOX  
P/N: 96707-0001

CHG:SEE SHEET 1  
EC NO: URF2013-0734  
DRAWN:RYEH 2013/06/28  
CHKD:  
APPR:MHUANG 2013/07/26

REV	DESCRIPTION
A	

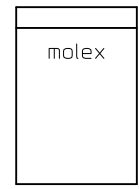
QUALITY SYMBOLS	DESCRIPTION
	=0
	=0
	=0

GENERAL TOLERANCES (UNLESS SPECIFIED)	
mm	INCH
4 PLACES ± .005	± .0004
3 PLACES ± .008	± .0003
2 PLACES ± .010	± .0002
1 PLACE ± .015	± .0001
0 PLACE ± .020	± .0000

DIMENSION STYLE		SCALE	DESIGN UNITS	THIRD ANGLE PROJECTION
MM/IN		2:1	METRIC	
DRAWN BY	DATE	TITLE		
RYEH	2013/06/28	SMA JACK R/A PCB TH		
CHECKED BY	DATE	50 OHMS		
KERRIE	2013/06/28	SMA-J/PCB		
APPROVED BY	DATE	<b>molex</b>		
MHUANG	2013/07/26	DOCUMENT NO. SD-73251-220-PKG		
MATERIAL NO.		SHEET NO.		
SEE TABLE		3 OF 4		
DRAFT WHERE APPLICABLE MUST REMAIN WITHIN DIMENSIONS				
THIS DRAWING CONTAINS INFORMATION THAT IS PROPRIETARY TO MOLEX INCORPORATED AND SHOULD NOT BE USED WITHOUT WRITTEN PERMISSION				

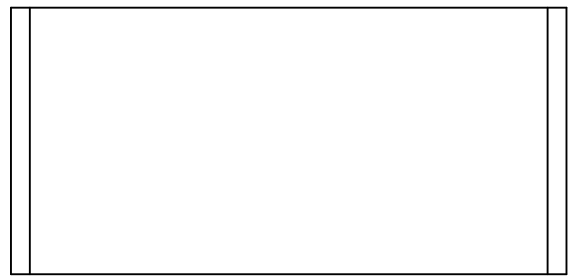


P/N: 73251-2207

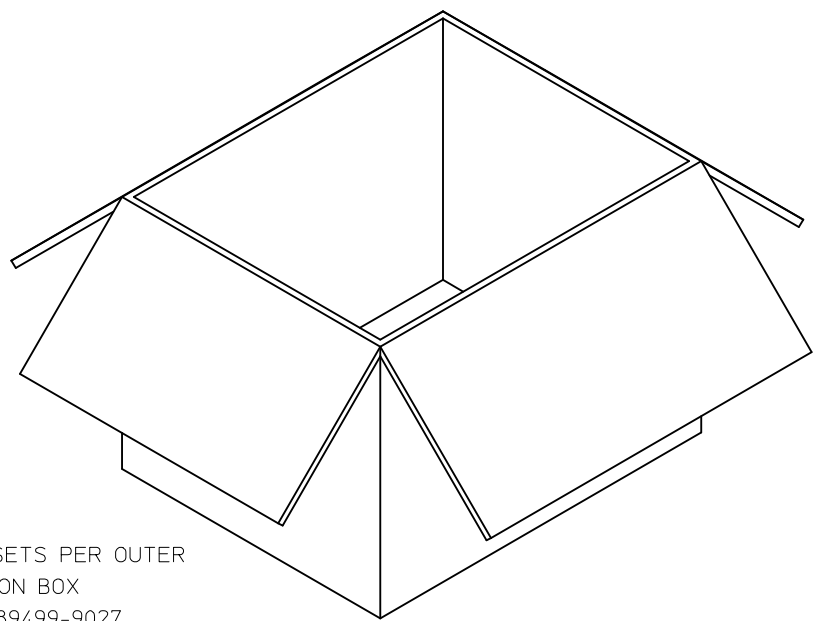


1 SET PER POLYBAG  
P/N: 89707-0317

FOR 73251-2207 ONLY



50 SETS PER POLYBAG  
P/N: 89707-0174



500 SETS PER OUTER  
CARTON BOX  
P/N: 89499-9027



CHG:SEE SHEET 1 EC NO: URF2013-0734 DRAWN:RYEH CHKD: APPR:MHUANG 2013/06/28 2013/07/26	QUALITY SYMBOLS ▽=0 ▽=0 ▽=0	GENERAL TOLERANCES (UNLESS SPECIFIED) mm INCH 4 PLACES ± --- ± --- 3 PLACES ± --- ± --- 2 PLACES ± --- ± --- 1 PLACE ± --- ± --- 0 PLACE ± --- ± --- ANGULAR ± 2 °	DIMENSION STYLE MM/IN DRAWN BY DATE RYEH 2013/06/28 CHECKED BY DATE KERRIE 2013/06/28 APPROVED BY DATE MHUANG 2013/07/26	SCALE 1:1 DESIGN UNITS METRIC THIRD ANGLE PROJECTION	TITLE SMA JACK R/A PCB TH 50 OHMS SMA-J/PCB <b>molex</b>	MATERIAL NO. SEE TABLE SIZE C	DOCUMENT NO. SD-73251-220-PKG	SHEET NO. 4 OF 4
	DRAFT WHERE APPLICABLE MUST REMAIN WITHIN DIMENSIONS	THIS DRAWING CONTAINS INFORMATION THAT IS PROPRIETARY TO MOLEX INCORPORATED AND SHOULD NOT BE USED WITHOUT WRITTEN PERMISSION						

**MATERIALS AND FINISHES:**

BODY, JAM NUT: BRASS  
FINISH: SEE TABLE

CENTER CONTACT: BERYLLIUM COPPER  
PLATED GOLD

INSULATOR: TEFLON

LOCK WASHER: PHOSPHOR BRONZE  
FINISH: SEE TABLE

PACKAGING: SEE TABLE

**ELECTRICAL REQUIREMENTS:**

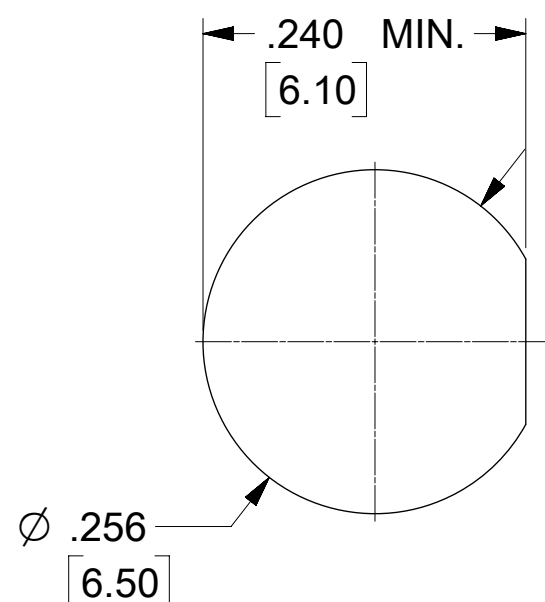
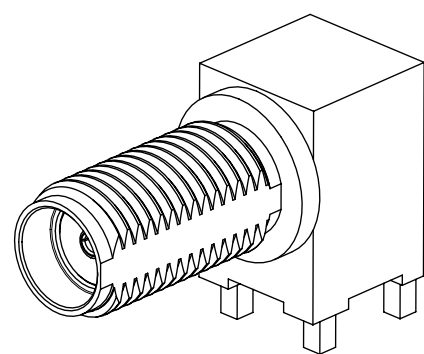
**1. VOLTAGE STANDING WAVE RATIO**

- 1.1(MAX) @0-6GHz.
- 1.5(MAX) @6-12GHz.
- 1.8(MAX) @12-18GHz.

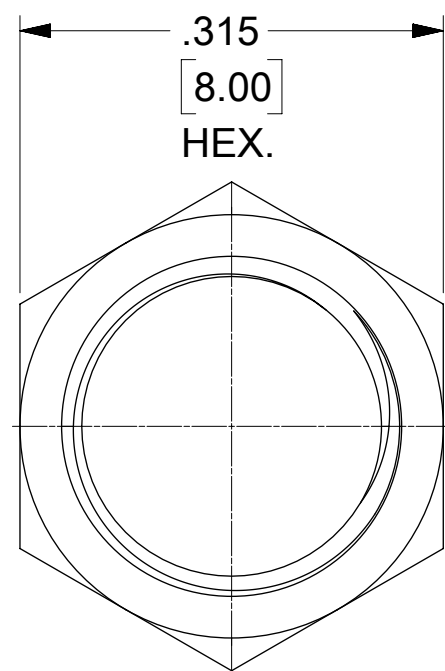
**2. RF INSERTION LOSS:**

- 0.1(MAX) @0-6GHz.
- 0.4(MAX) @6-12GHz.
- 0.7(MAX) @12-18GHz.

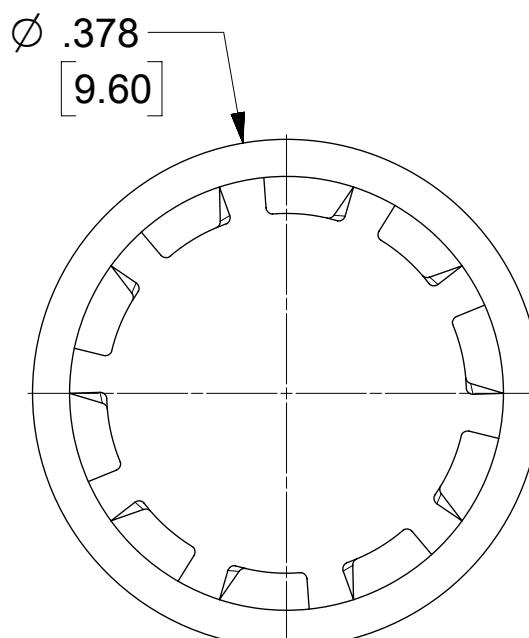
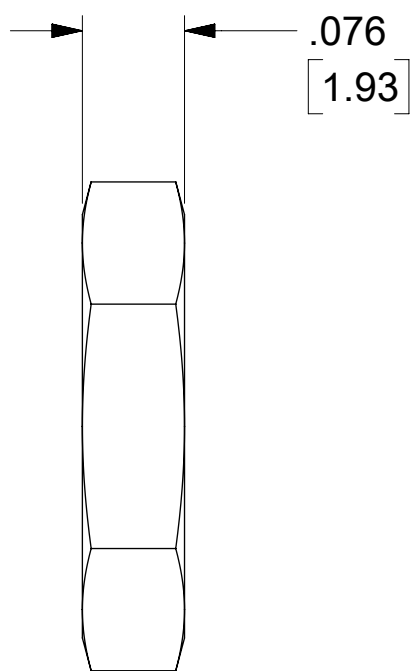
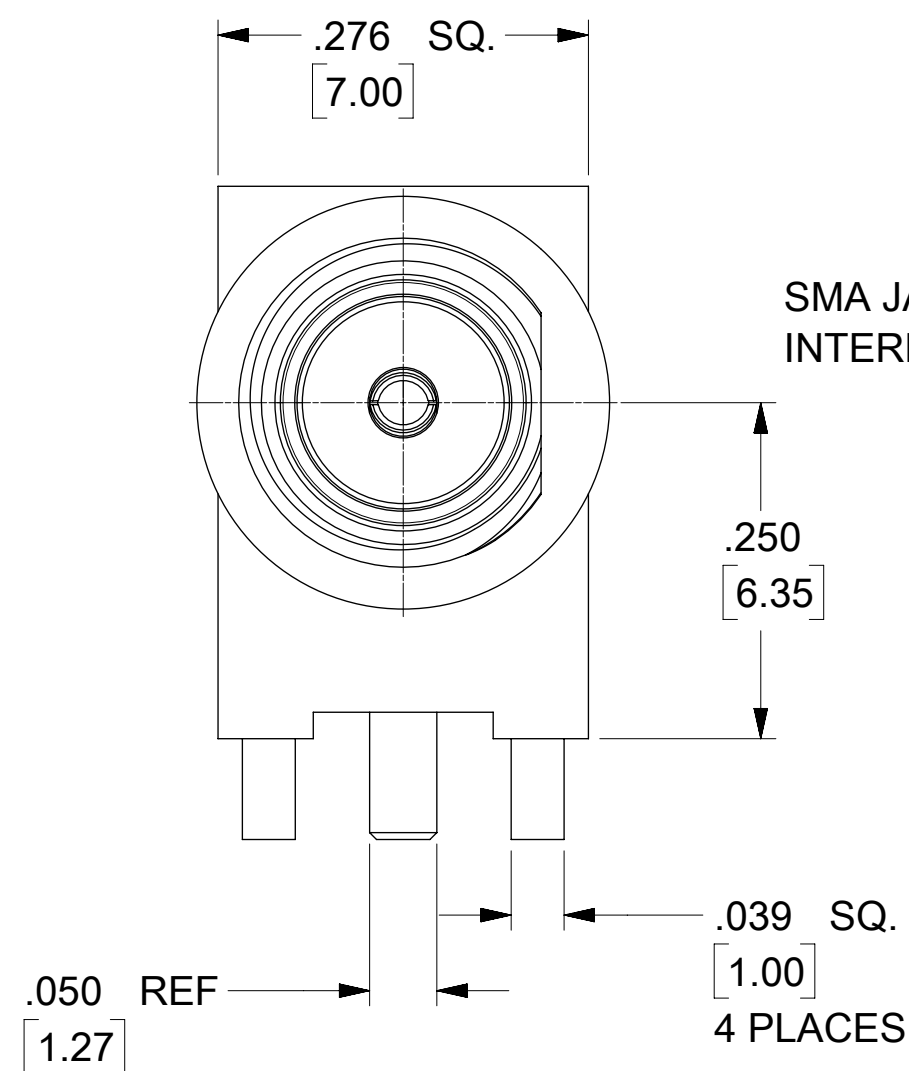
73251-4966	BAG
73251-4965	TRAY
73251-4964	
73251-4963	
73251-4962	
73251-4961	
73251-4960	
PART NO.	PACKAGING



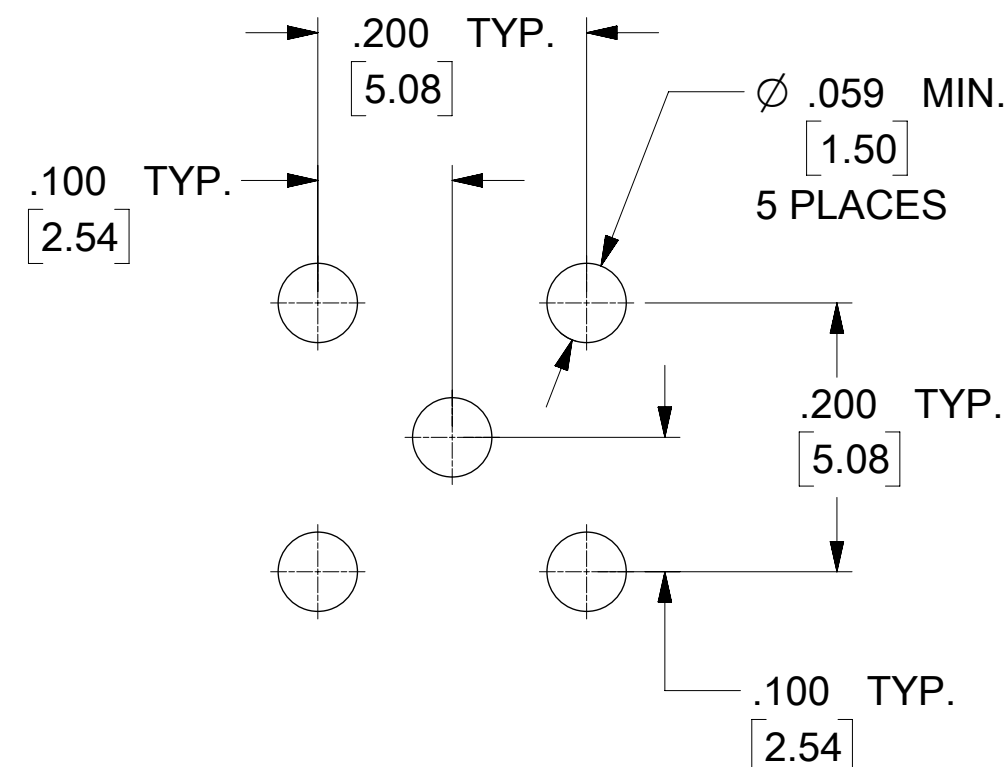
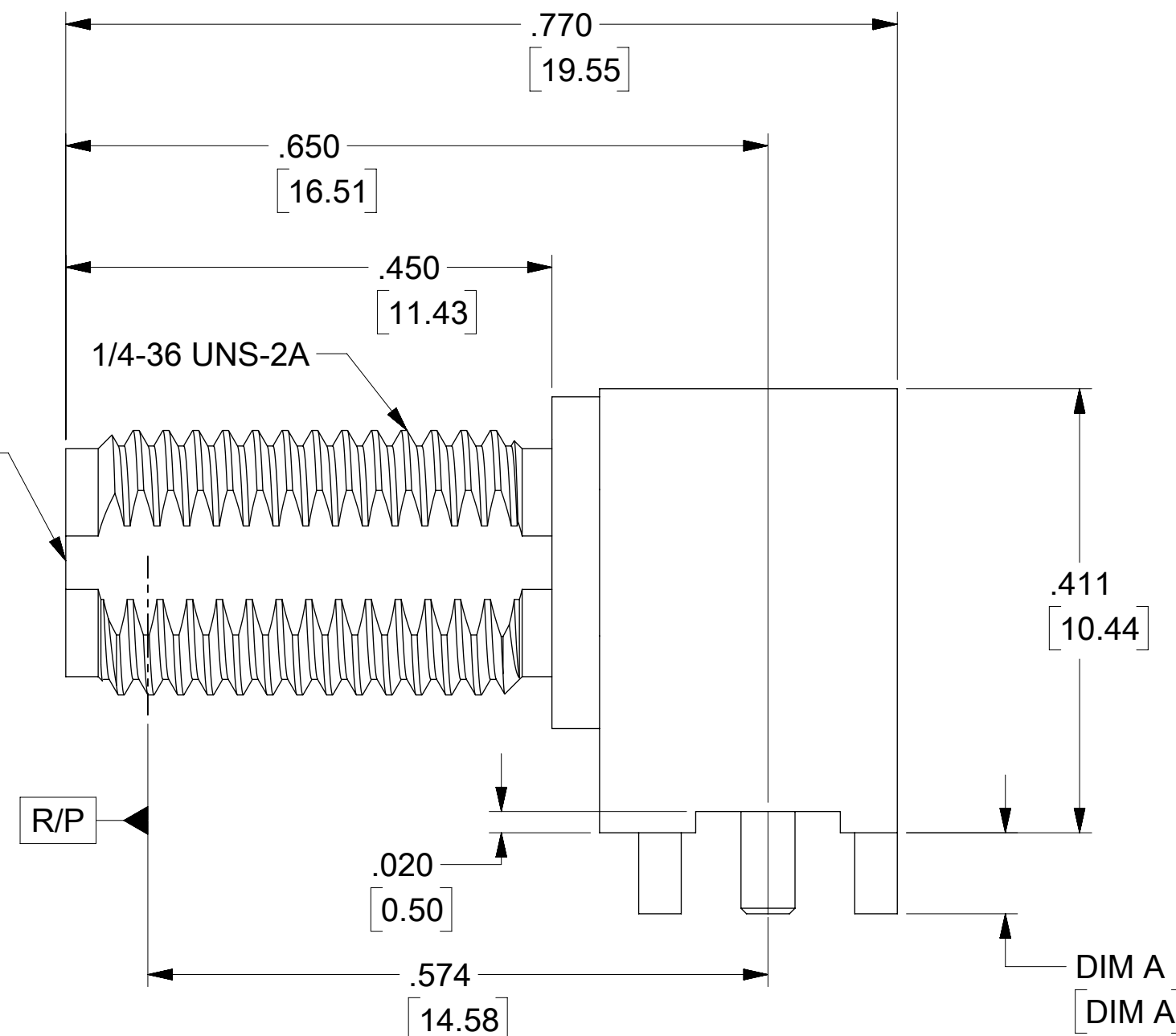
PANEL CUTOUT  
.135 / 3.42 MAX THICKNESS



JAM NUT



LOCK WASHER



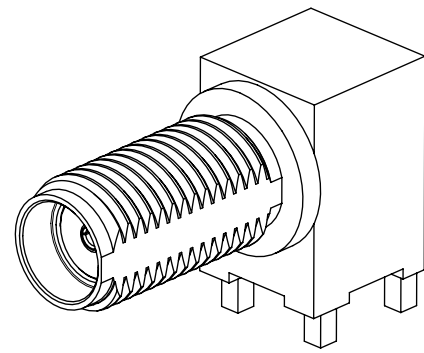
RECOMMENDED PCB LAYOUT

SD-73251-496 IS CONTINUATION FOR SD-73251-220

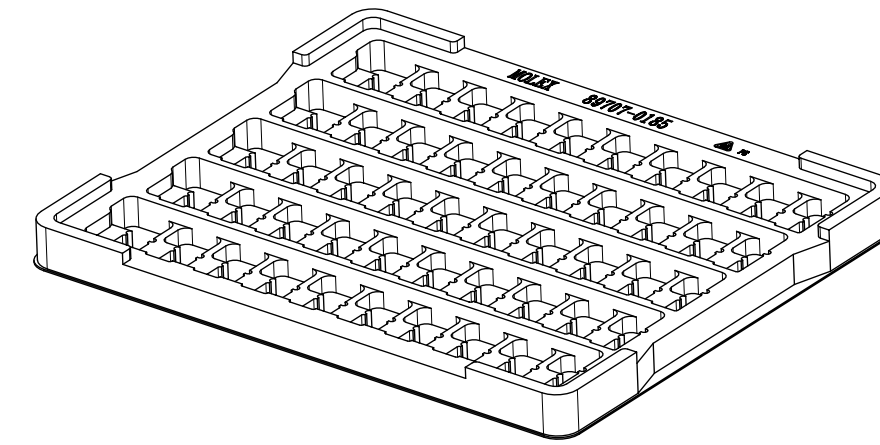
PART NO.	JAM NUT QTY	WASHER QTY	IN / MM	BODY PLATING	CONTACT PLATING	JAM NUT & LOCK WASHER PLATING
73251-4966	1	1	.110 / 2.79	NICKEL (100μ-in MIN)	GOLD (30μ-in MIN) OVER NICKEL(100μ-in MIN)	NICKEL (100μ-in MIN)
73251-4965	2	1	.110 / 2.79	GOLD (5μ-in MIN) OVER NICKEL (50μ-in MIN)	GOLD (30μ-in MIN) OVER NICKEL(100μ-in MIN)	GOLD (1μ-in MIN) OVER NICKEL (50μ-in MIN)
73251-4964	1	1	.075 / 1.91	GOLD (5μ-in MIN) OVER NICKEL (50μ-in MIN)	GOLD (30μ-in MIN) OVER NICKEL(100μ-in MIN)	GOLD (1μ-in MIN) OVER NICKEL (50μ-in MIN)
73251-4963	NOT INCLUDED	NOT INCLUDED	.110 / 2.79	GOLD (5μ-in MIN) OVER NICKEL (50μ-in MIN)	GOLD (30μ-in MIN) OVER NICKEL(100μ-in MIN)	-----
73251-4962	1	NOT INCLUDED	.110 / 2.79	NICKEL (100μ-in MIN)	GOLD (30μ-in MIN) OVER NICKEL(100μ-in MIN)	NICKEL (100μ-in MIN)
73251-4961	2	1	.155 / 3.94	GOLD (1μ-in MIN) OVER NICKEL (50μ-in MIN)	GOLD (1μ-in MIN) OVER NICKEL (50μ-in MIN)	GOLD (1μ-in MIN) OVER NICKEL (50μ-in MIN)
73251-4960	1	1	.075 / 1.91	GOLD (1μ-in MIN) OVER NICKEL (50μ-in MIN)	GOLD (1μ-in MIN) OVER NICKEL (50μ-in MIN)	GOLD (1μ-in MIN) OVER NICKEL (50μ-in MIN)
	INCLUDED	INCLUDED	DIM A			

PS-89675-3460	PRODUCT SPECIFICATION
MIL-STD-348A, FIG. 310.2	INTERFACE
SPECIFICATION	DESCRIPTION

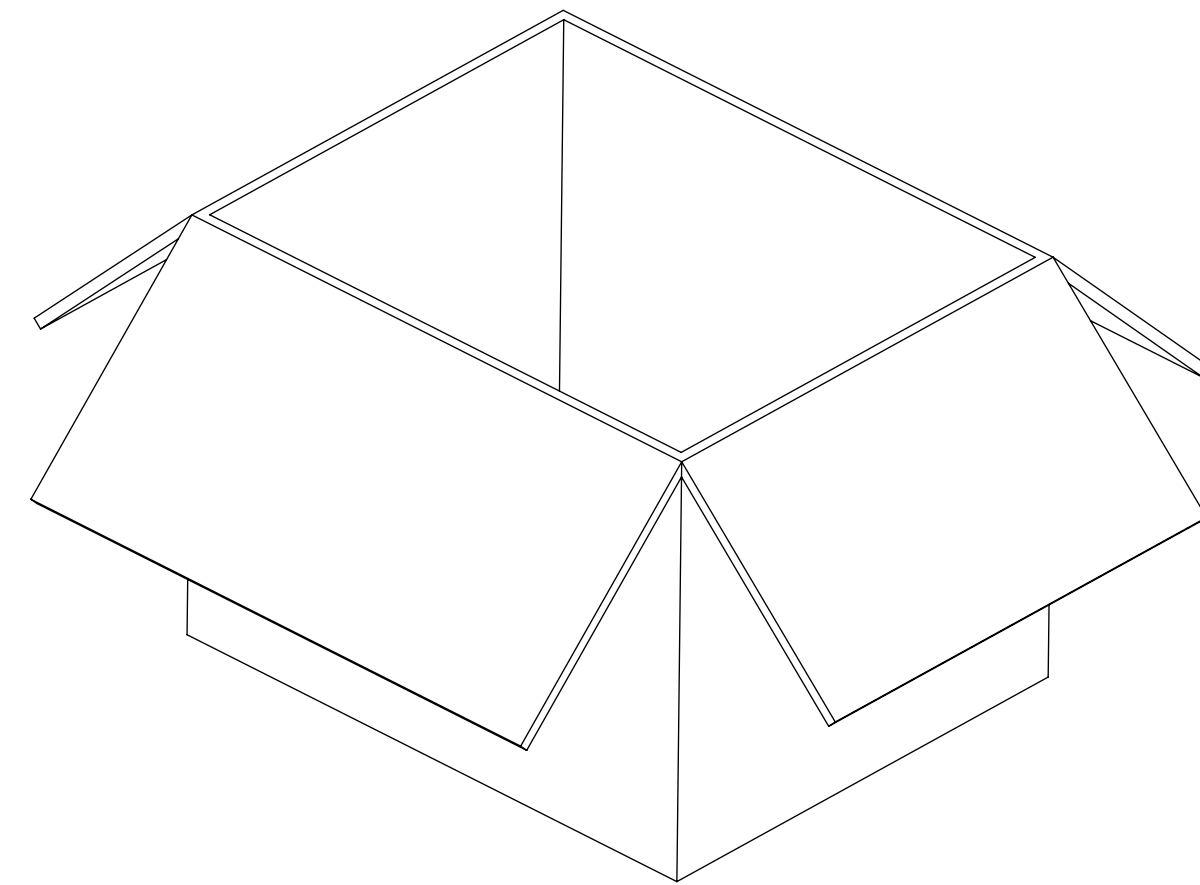
FUNCTIONAL SYMBOLS		THIS DRAWING CONTAINS INFORMATION THAT IS PROPRIETARY TO MOLEX ELECTRONIC TECHNOLOGIES, LLC AND SHOULD NOT BE USED WITHOUT WRITTEN PERMISSION		CURRENT REV DESC:	
FA = 0	INCH/MM	SCALE	NTS	EWR-14242-J ADDED LABEL FORMAT FOR 73251-4966	
EA = 0	GENERAL TOLERANCES (UNLESS SPECIFIED)		EC NO: 659677		
EP = 0	ANGULAR TOL ± °		DRWN: JSU18 2021/03/24		
DIVISIONAL SYMBOLS		4 PLACES ±		CHK'D: YCHENG 2021/04/06	
		3 PLACES ±		APPR: YCHENG 2021/04/06	
		2 PLACES ±		INITIAL REVISION:	
		1 PLACE ±		DRWN: JLEE02 2014/03/28	
		0 PLACES ±		APPR: WSPINK 2014/03/28	
DRAFT WHERE APPLICABLE MUST REMAIN WITHIN DIMENSIONS		THIRD ANGLE PROJECTION	DRAWING	SERIES	MATERIAL NUMBER
			C-SIZE	73251	SEE TABLE
		CUSTOMER		GENERAL MARKET	
		DOCUMENT NUMBER		SD-73251-496	
		DOC TYPE		PSD	
		DOC PART		000	
		REVISION		B9	
		SHEET NUMBER		1 OF 4	



PART NO : 73251-4960  
 PART NO: 73251-4962  
 PART NO: 73251-4963  
 PART NO: 73251-4964  
 PART NO: 73251-4965



50 SET PER TRAY  
 P/N: 89707-0185



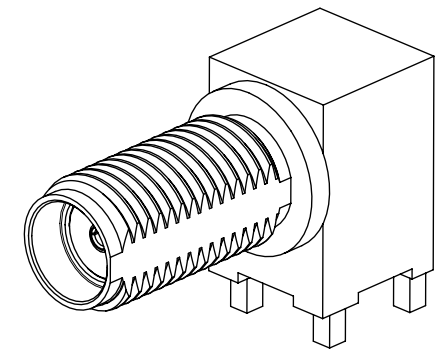
1400 SET PER OUTER CARTON BOX  
 P/N: 89499-9027

FUNCTIONAL SYMBOLS	THIS DRAWING CONTAINS INFORMATION THAT IS PROPRIETARY TO MOLEX ELECTRONIC TECHNOLOGIES, LLC AND SHOULD NOT BE USED WITHOUT WRITTEN PERMISSION		
	DIMENSION UNITS	SCALE	CURRENT REV DESC:
$\frac{F}{A} = 0$	INCH/MM	NTS	EWR-14242-J ADDED LABEL FORMAT FOR 73251-4966
$\frac{E}{C} = 0$	GENERAL TOLERANCES (UNLESS SPECIFIED)		EC NO: 659677 DRWN: JSU18 2021/03/24 CHK'D: YCHENG 2021/04/06 APPR: YCHENG 2021/04/06
$\frac{E}{P} = 0$	ANGULAR TOL ± °		
DIVISIONAL SYMBOLS	4 PLACES	±	INITIAL REVISION: DRWN: JLEE02 2014/03/28 APPR: WSPINK 2014/03/28
	3 PLACES	±	
	2 PLACES	±	
	1 PLACE	±	
	0 PLACES	±	
DRAFT WHERE APPLICABLE MUST REMAIN WITHIN DIMENSIONS		THIRD ANGLE PROJECTION	DRAWING SERIES
			C-SIZE 73251
DOCUMENT STATUS		RELEASE DATE	DOCUMENT NUMBER
P1 2021/04/06 01:47:34			SD-73251-496
			DOC TYPE DOC PART REVISION
			PSD 000 B9
			MATERIAL NUMBER CUSTOMER SHEET NUMBER
			GENERAL MARKET 2 OF 4

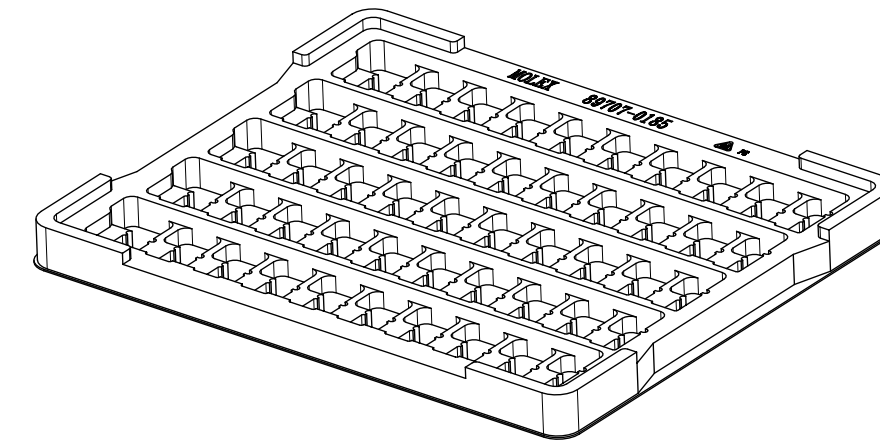
**molex**

SMA JACK RA  
 BLKHD RM PCB TH SMA-J/RA/PCB, EWR-2144

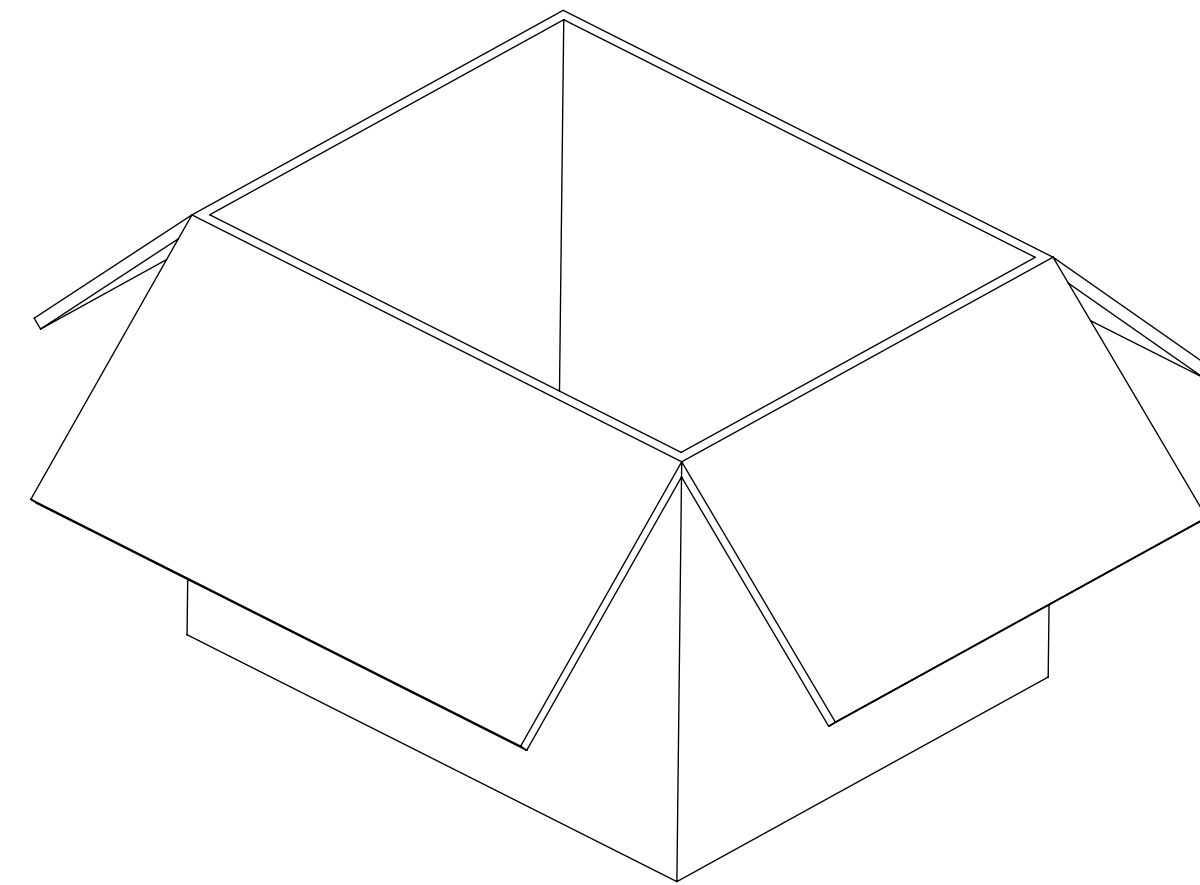
PRODUCT CUSTOMER DRAWING




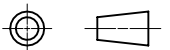
PART NO : 73251-4961



50 SET PER TRAY  
P/N: 89707-0185

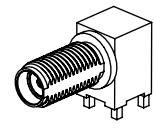


1200 SET PER OUTER CARTON BOX  
P/N: 89499-9027

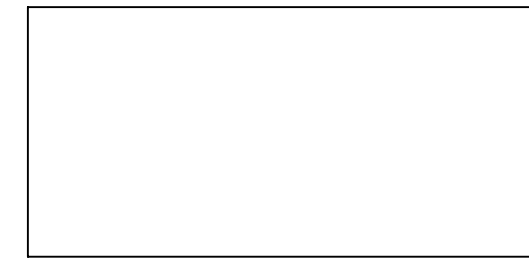
FUNCTIONAL SYMBOLS	THIS DRAWING CONTAINS INFORMATION THAT IS PROPRIETARY TO MOLEX ELECTRONIC TECHNOLOGIES, LLC AND SHOULD NOT BE USED WITHOUT WRITTEN PERMISSION												
	DIMENSION UNITS	SCALE	CURRENT REV DESC:										
$\frac{F}{A} = 0$	INCH/MM	NTS	EWR-14242-J ADDED LABEL FORMAT FOR 73251-4966										
$\frac{E}{C} = 0$	GENERAL TOLERANCES (UNLESS SPECIFIED)												
	ANGULAR TOL $\pm$ °												
$\frac{E}{P} = 0$	4 PLACES $\pm$		EC NO: 659677							SMA JACK RA BLKHD RM PCB TH SMA-J/RA/PCB, EWR-2144			
	3 PLACES $\pm$		DRWN: JSU18 2021/03/24										
DIVISIONAL SYMBOLS	2 PLACES $\pm$		CHK'D: YCHENG 2021/04/06							PRODUCT CUSTOMER DRAWING			
	1 PLACE $\pm$		APPR: YCHENG 2021/04/06										
0 PLACES $\pm$		INITIAL REVISION:							DOCUMENT NUMBER		DOC TYPE	DOC PART	REVISION
DRAFT WHERE APPLICABLE MUST REMAIN WITHIN DIMENSIONS		THIRD ANGLE PROJECTION		DRAWING	SERIES	MATERIAL NUMBER		CUSTOMER		SHEET NUMBER			
				C-SIZE	73251	SD-73251-496		GENERAL MARKET		PSD	000	B9	

DOCUMENT STATUS	P1	RELEASE DATE	2021/04/06	01:47:34
-----------------	----	--------------	------------	----------





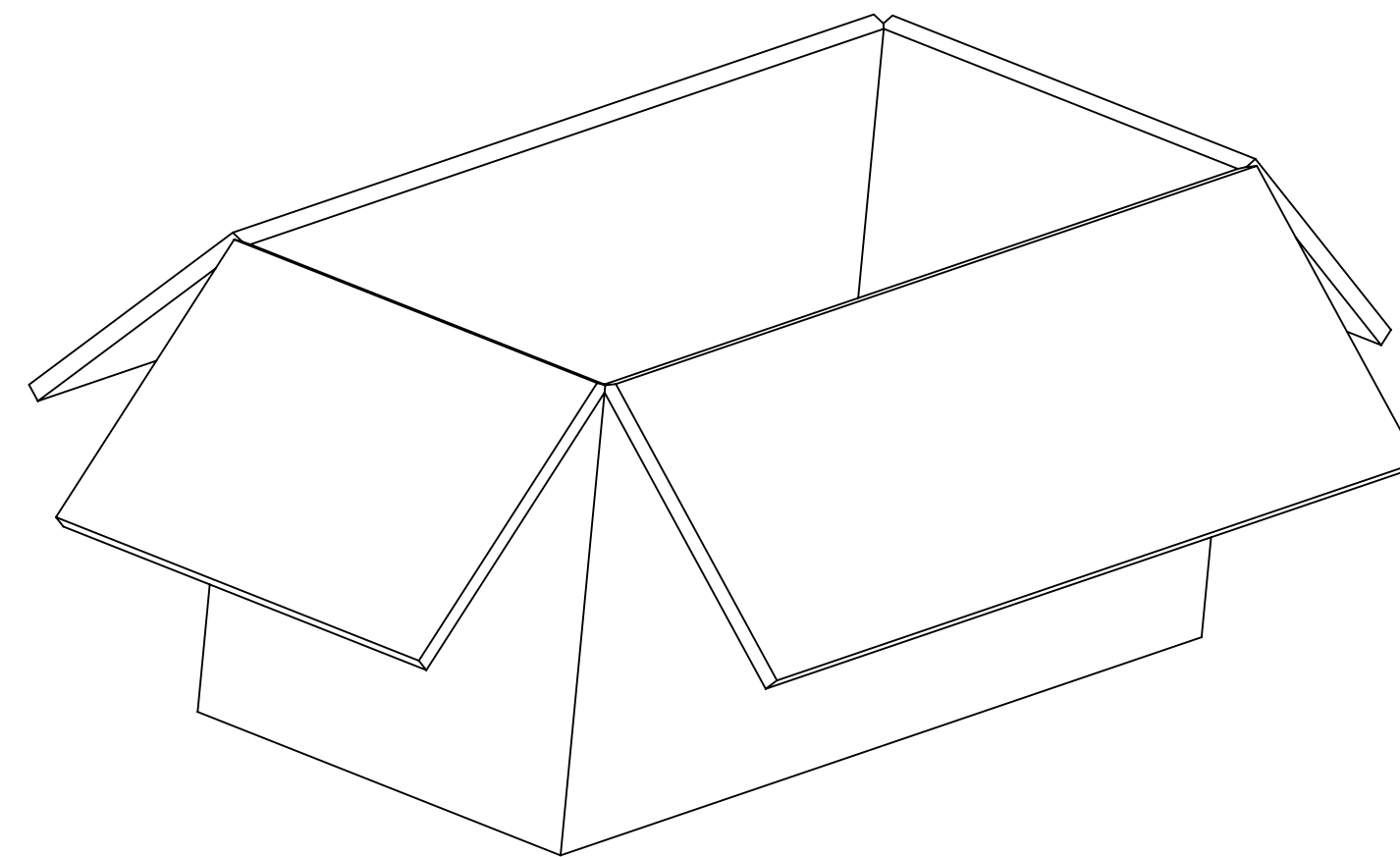
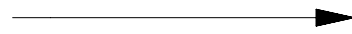
FOR 73251-4966 ONLY



1 SET PER POLYBAG  
P/N: 89707-0317



50 SET PER POLYBAG  
P/N: 89707-0176



500 SET PER OUTER CARTON BOX  
P/N: 96707-0002

LABEL FORMAT FOR  
73251-4966

PART NUMBER : 73251-2200  
ORDER NUMBER : 73251-4966  
MOLEX  
DATE : YYWW

FUNCTIONAL SYMBOLS	THIS DRAWING CONTAINS INFORMATION THAT IS PROPRIETARY TO MOLEX ELECTRONIC TECHNOLOGIES, LLC AND SHOULD NOT BE USED WITHOUT WRITTEN PERMISSION												
	DIMENSION UNITS	SCALE	CURRENT REV DESC:										
$\frac{F}{A} = 0$	INCH/MM	NTS	EWR-14242-J ADDED LABEL FORMAT FOR 73251-4966										
$\frac{F}{C} = 0$	GENERAL TOLERANCES (UNLESS SPECIFIED)		EC NO: 659677										
$\frac{F}{P} = 0$	ANGULAR TOL ± °		DRWN: JSU18				2021/03/24						
DIVISIONAL SYMBOLS	4 PLACES ±		CHK'D: YCHENG				2021/04/06						
	3 PLACES ±		APPR: YCHENG				2021/04/06						
	2 PLACES ±		INITIAL REVISION:				DOCUMENT NUMBER						
	1 PLACE ±		DRWN: JLEE02				SD-73251-496						
0 PLACES ±		APPR: WSPINK				2014/03/28							
DRAFT WHERE APPLICABLE MUST REMAIN WITHIN DIMENSIONS		THIRD ANGLE PROJECTION		DRAWING		SERIES		MATERIAL NUMBER		CUSTOMER		SHEET NUMBER	
				C-SIZE		73251		GENERAL MARKET		PSD 000		B9	