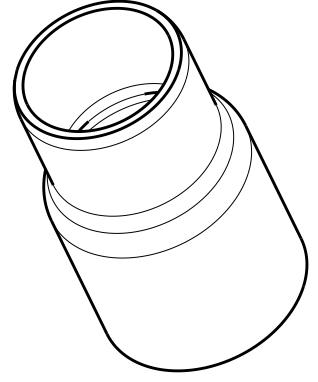
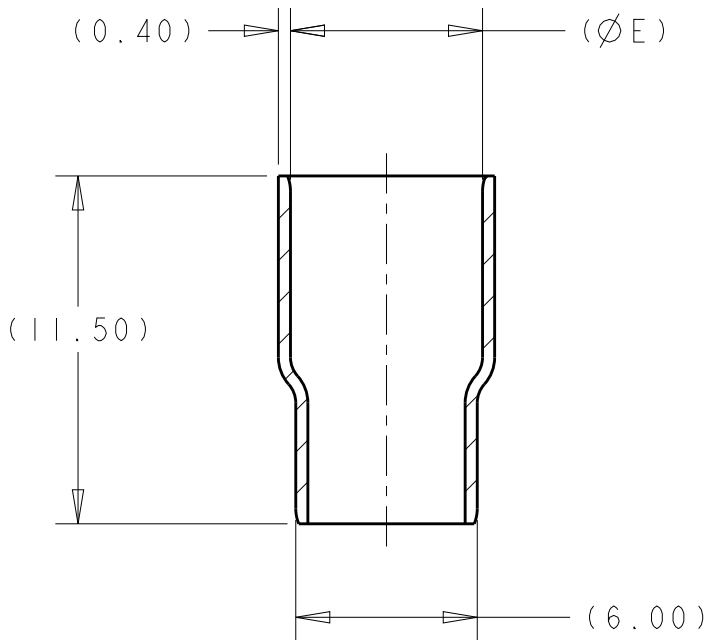


REVISIONS					
P	LTR	DESCRIPTION	DATE	DWN	APVD
	B3	ECO-13-000550	10JAN2013	DS	AT
	B3	ECO-14-000116	27FEB2014	DS	AT



1 MATERIAL:  
TYPE: COPPER ALLOY

2 FINISH:  
UNDERPLATE TYPE: NICKEL  
TOP PLATE TYPE: TIN

3. PARTS MUST BE FREE OF BURRS, CRACKS, OR OTHER VISUAL IMPERFECTIONS THAT MAY AFFECT FIT FORM OR FUNCTION

4 NOTE DELETED

5.41	6.10	7.70	SIZE C	1587829-3
4.76	5.41	7.00	SIZE B	1587829-2
4.11	4.76	6.40	SIZE A	1587829-1
MIN	MAX	E	DESCRIPTION	PART NO
WIRE O.D.				

RELEASED FOR PUBLICATION 20

THIS DRAWING IS UNPUBLISHED.

ALL RIGHTS RESERVED.  
BY TYCO ELECTRONICS CORPORATION

COPYRIGHT 20

DIMENSIONS: mm	DWN D SIMPSON 01JUN2009	MATERIAL	FINISH	
	CHK A TYLER 01JUN2009			
TOLERANCES UNLESS OTHERWISE SPECIFIED:	APVD -	TE Connectivity		
	PRODUCT SPEC 108-2394			
0 PLC ±-	APPLICATION SPEC 114-13259	SIZE	CAGE CODE	DRAWING NO
1 PLC ±0.2	WEIGHT -	A 4	00779	C-1587829
2 PLC ±0.10	CUSTOMER DRAWING	SCALE	SHEET	OF
3 PLC ±0.013		4:1	1	1
4 PLC ±0.0001				REV
ANGLES ±-				B3