

MATERIALS AND FINISHES

PART NUMBERS 73413-0040, -0042, -0044

BODY BRASS  
PLATED SEE TABLE

CENTER CONTACT BERYLLIUM COPPER  
PLATED GOLD

INSULATOR TEFLON

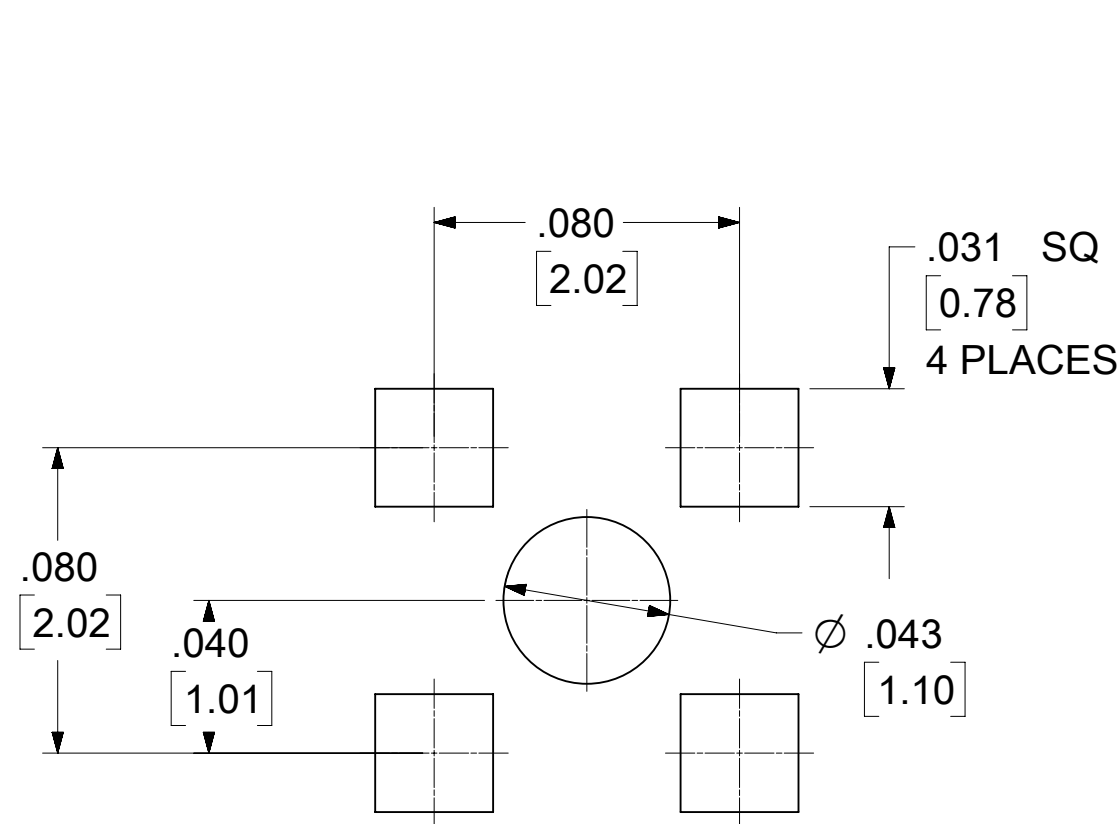
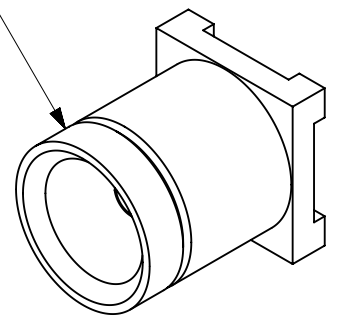
PART NUMBERS 73413-0041 AND -0043

BODY BERYLLIUM COPPER  
PLATED SEE TABLE

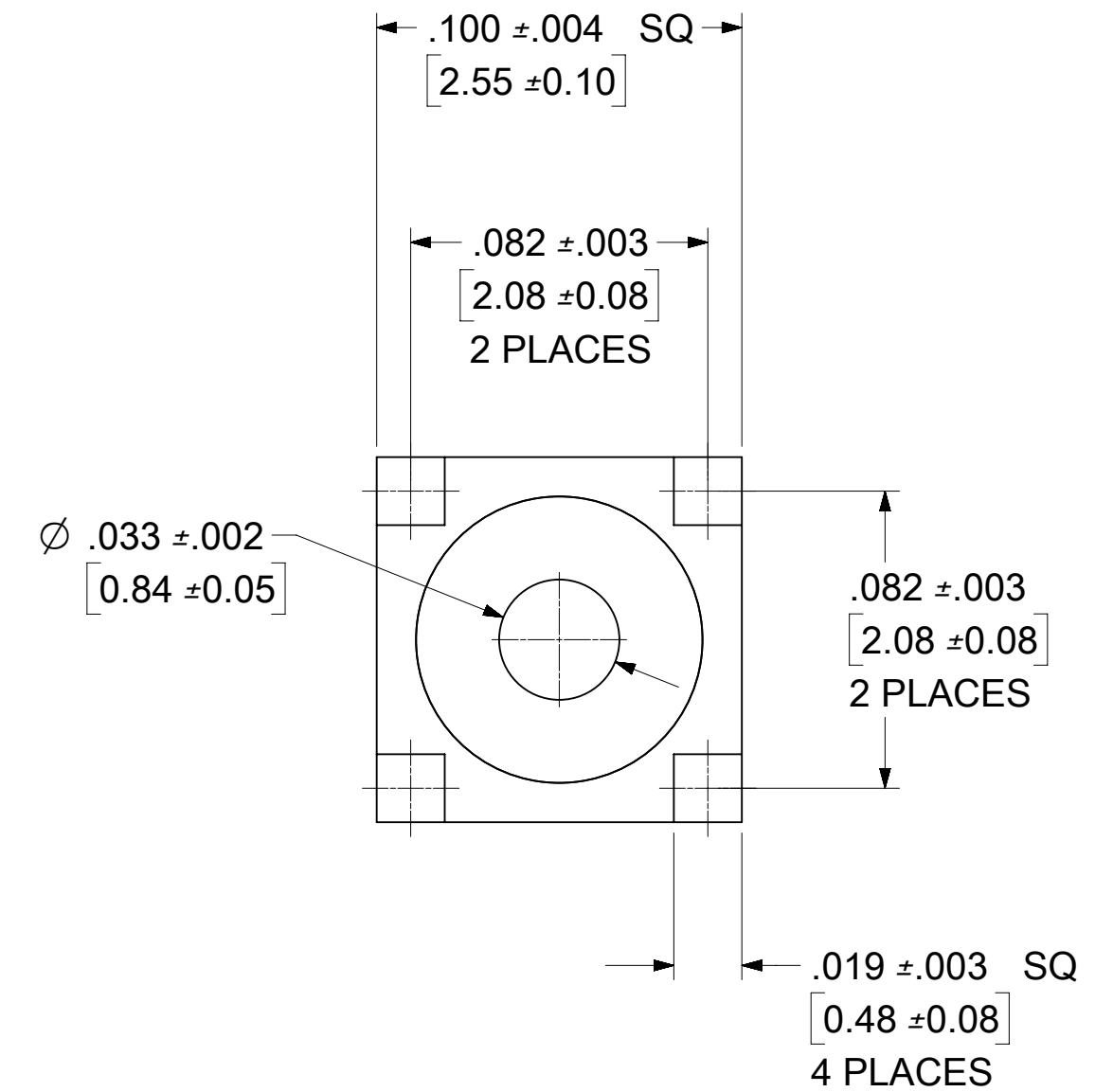
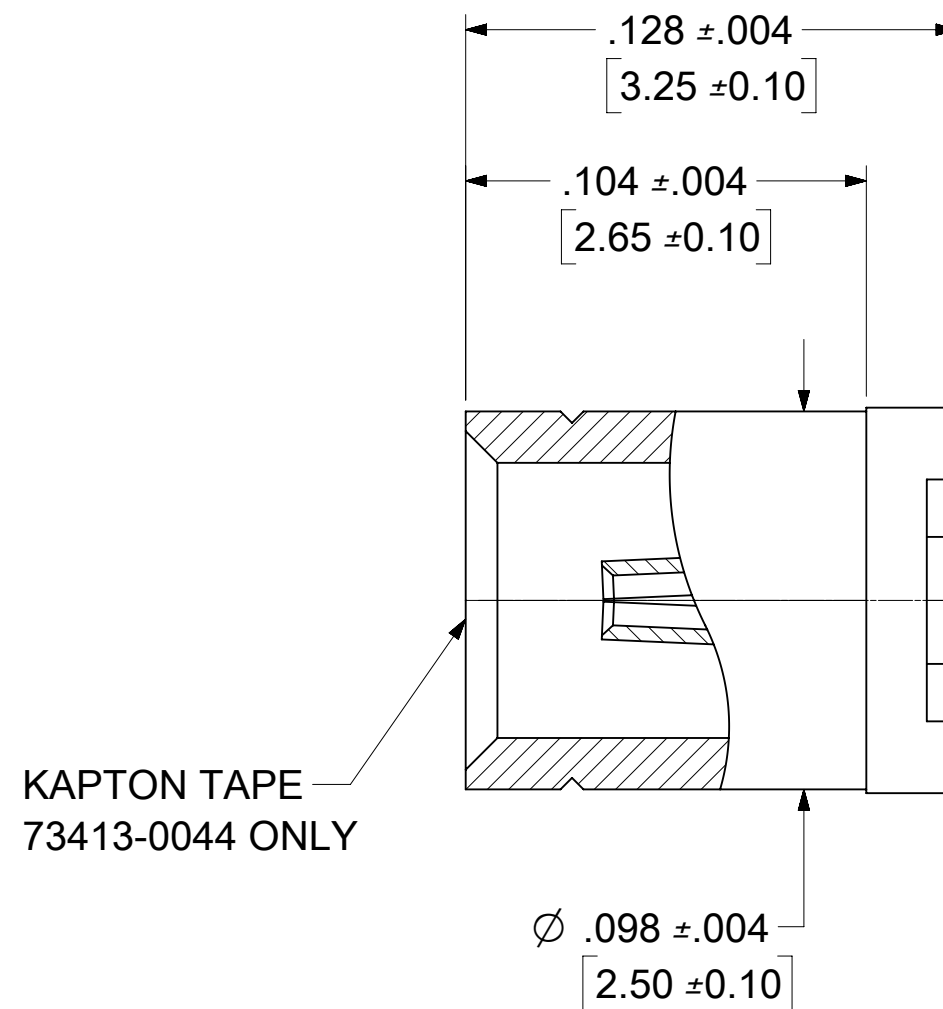
CENTER CONTACT BERYLLIUM COPPER  
PLATED GOLD

INSULATOR TEFLON

WITNESS MARK PRESENT  
ON NON-MAGNETIC  
VERSIONS ONLY



RECOMMENDED PCB LAYOUT



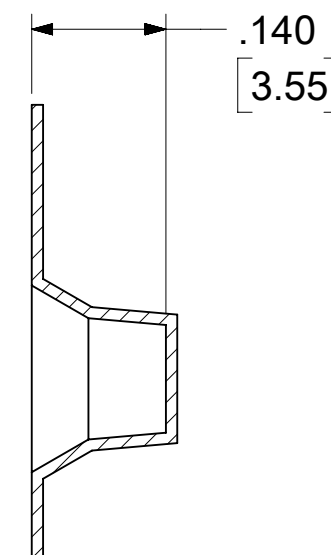
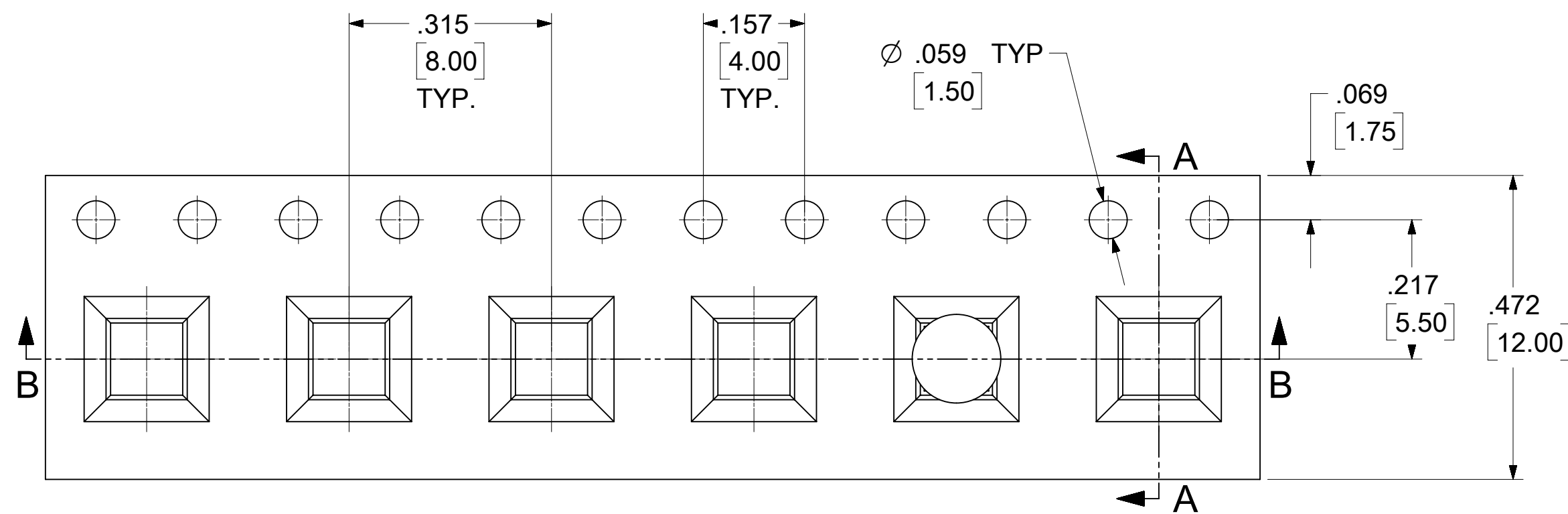
73413-0044	GENERAL	TAPE & REEL	GOLD
73413-0043	NON-MAGNETIC	TRAY	GOLD
73413-0042	GENERAL	SINGLE BAG	GOLD
73413-0041	NON-MAGNETIC	TRAY	TRI-M
73413-0040	GENERAL	TRAY	GOLD
PART NO.	MAG PROP	PACKAGING	BODY PLATING

FOR 73413-0044 ONLY  
REEL SIZE: 330mm (13")  
TAPE WIDTH: 12mm (.47")  
PARTS PER REEL: 2300

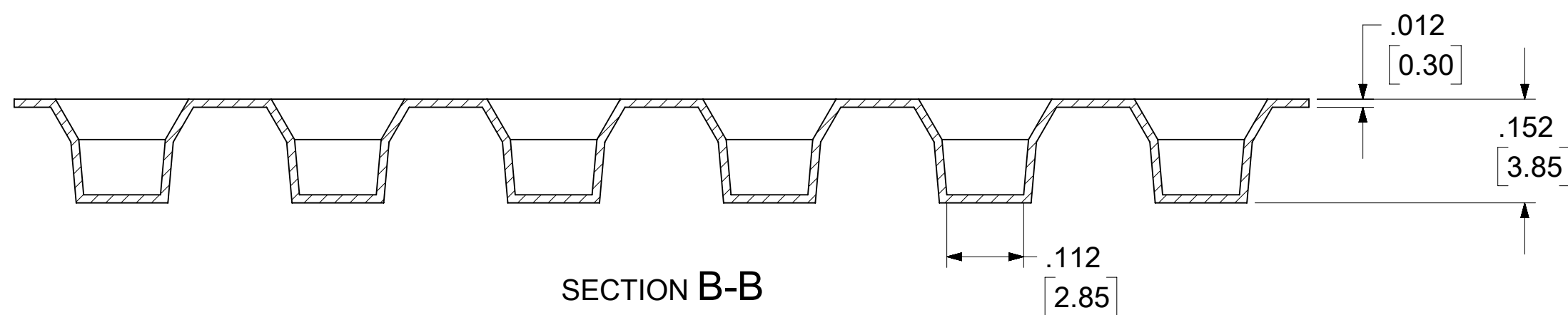
A9	2018/06/22	REDRAW TO ECTR DELETE PS PER EWR12230
REV.	DATE	DESCRIPTION

THIS DRAWING CONTAINS INFORMATION THAT IS PROPRIETARY TO MOLEX ELECTRONIC TECHNOLOGIES, LLC AND SHOULD NOT BE USED WITHOUT WRITTEN PERMISSION

DIMENSION UNITS	SCALE	CURRENT REV DESC:	<b>molex</b>		
INCH					
GENERAL TOLERANCES (UNLESS SPECIFIED)			SSMCX JACK PCB VERTICAL 50 OHM SSMCX-J/PCB EWR-3200		
ANGULAR TOL	± 2.0°	EC NO: 600987	PRODUCT CUSTOMER DRAWING		
4 PLACES	±	DRWN: CWEI02 2018/06/20	DOCUMENT NUMBER		
3 PLACES	±	CHK'D: YCHENG 2018/07/04	SD-73413-004		
2 PLACES	±	APPR: YCHENG 2018/07/04	DOC TYPE	DOC PART	REVISION
1 PLACE	±	INITIAL REVISION:	PSD	001	A9
0 PLACES	±	DRWN: JOHN 2005/03/24	MATERIAL NUMBER		
		APPR: JWIENER 2010/10/21	CUSTOMER		
DRAFT WHERE APPLICABLE MUST REMAIN WITHIN DIMENSIONS		THIRD ANGLE PROJECTION	DRAWING	SERIES	SHEET NUMBER
			C-SIZE	73413	1 OF 3
DOCUMENT STATUS		P1	RELEASE DATE	2018/07/04 06:12:33	



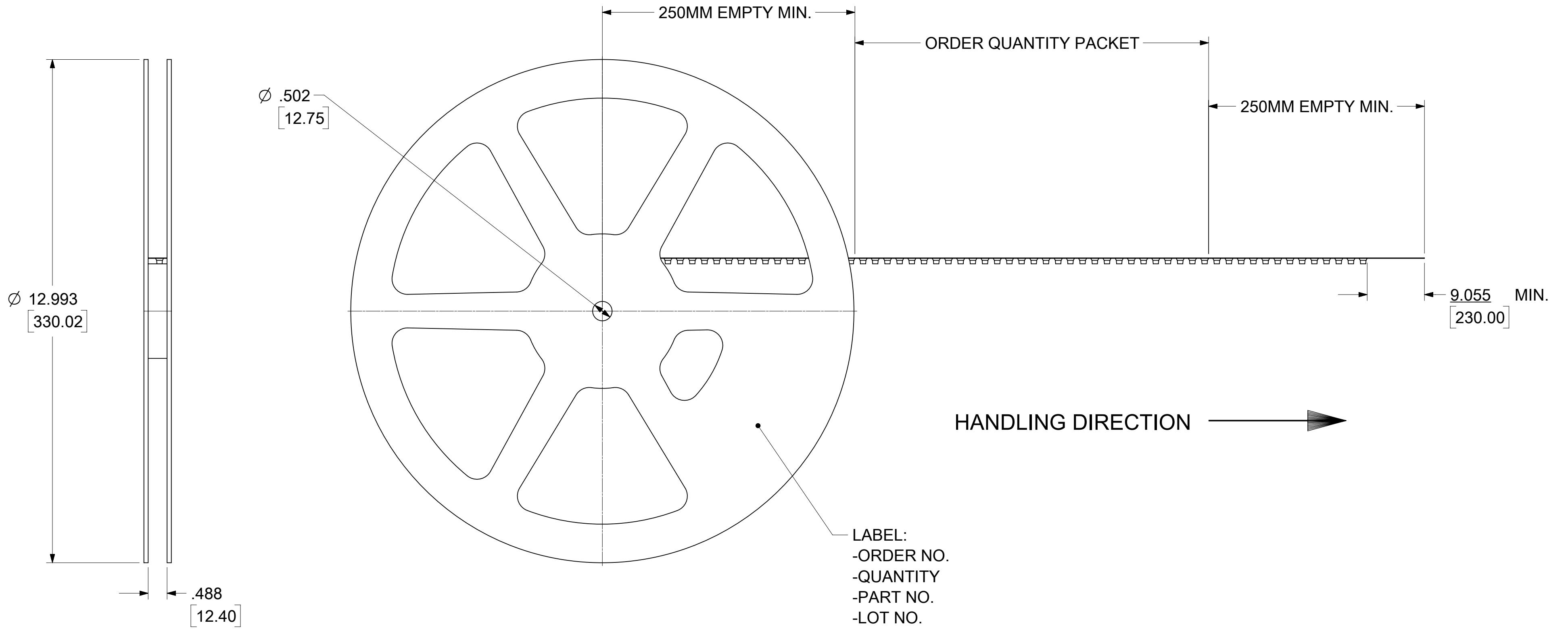
SECTION A-A



SECTION B-B

THIS DRAWING CONTAINS INFORMATION THAT IS PROPRIETARY TO MOLEX ELECTRONIC TECHNOLOGIES, LLC AND SHOULD NOT BE USED WITHOUT WRITTEN PERMISSION									
DIMENSION UNITS		SCALE		CURRENT REV DESC:				<b>molex</b>	
INCH									
GENERAL TOLERANCES (UNLESS SPECIFIED)				EC NO: 600987		2018/06/20		SSMCX JACK PCB	
ANGULAR TOL ± 2.0°				DRWN: CWEI02		2018/07/04		VERTICAL 50 OHM SSMCX-J/PCB EWR-3200	
4 PLACES ±				CHK'D: YCHENG		2018/07/04		PRODUCT CUSTOMER DRAWING	
3 PLACES ±				APPR: YCHENG		2018/07/04		DOCUMENT NUMBER	
2 PLACES ±				INITIAL REVISION:		2005/03/24		SD-73413-004	
1 PLACE ±				DRWN: JOHN		2010/10/21		DOC TYPE	
0 PLACES ±				APPR: JWIENER				DOC PART	
DRAFT WHERE APPLICABLE MUST REMAIN WITHIN DIMENSIONS				THIRD ANGLE PROJECTION		DRAWING		REVISION	
						C-SIZE		A9	
				SERIES		73413		MATERIAL NUMBER	
						SEE SHEET 1		CUSTOMER	
						GENERAL MARKET		SHEET NUMBER	
						2 OF 3			

DOCUMENT STATUS	P1	RELEASE DATE	2018/07/04	06:12:33
-----------------	----	--------------	------------	----------



THIS DRAWING CONTAINS INFORMATION THAT IS PROPRIETARY TO MOLEX ELECTRONIC TECHNOLOGIES, LLC AND SHOULD NOT BE USED WITHOUT WRITTEN PERMISSION

DIMENSION UNITS		SCALE		CURRENT REV DESC:				<b>molex</b>					
INCH													
GENERAL TOLERANCES (UNLESS SPECIFIED)				EC NO: 600987				SSMCX JACK PCB VERTICAL 50 OHM SSMCX-J/PCB EWR-3200					
ANGULAR TOL ± 2.0°				DRWN: CWEI02 2018/06/20									
4 PLACES ±				CHK'D: YCHENG 2018/07/04				PRODUCT CUSTOMER DRAWING					
3 PLACES ±				APPR: YCHENG 2018/07/04									
2 PLACES ±				INITIAL REVISION:				DOCUMENT NUMBER					
1 PLACE ±				DRWN: JOHN 2005/03/24									
0 PLACES ±				APPR: JWIENER 2010/10/21				SD-73413-004		DOC TYPE	DOC PART	REVISION	
DRAFT WHERE APPLICABLE MUST REMAIN WITHIN DIMENSIONS		THIRD ANGLE PROJECTION		DRAWING		SERIES		MATERIAL NUMBER		CUSTOMER		SHEET NUMBER	
				C-SIZE		73413		SEE SHEET 1		GENERAL MARKET		3 OF 3	

DOCUMENT STATUS	P1	RELEASE DATE	2018/07/04	06:12:33
-----------------	----	--------------	------------	----------