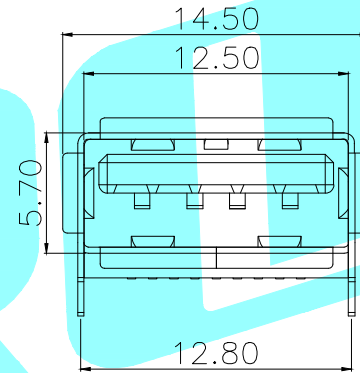
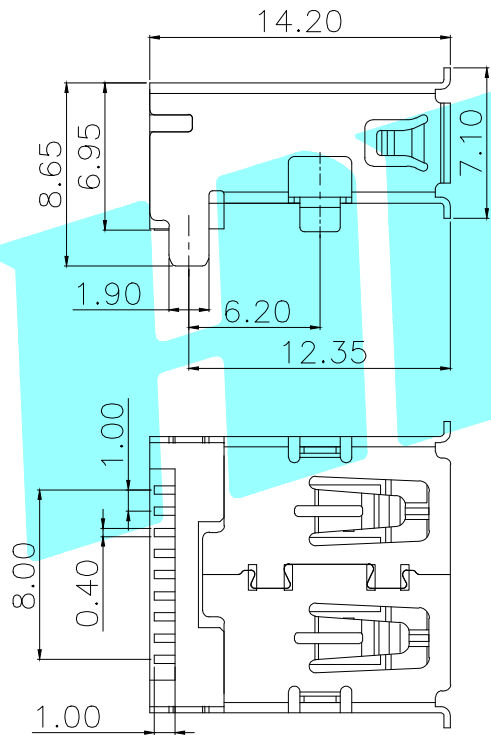
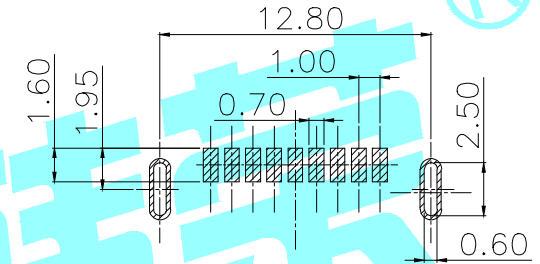
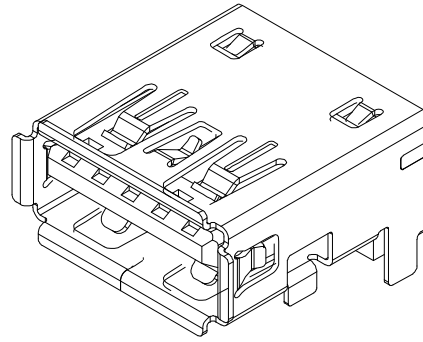
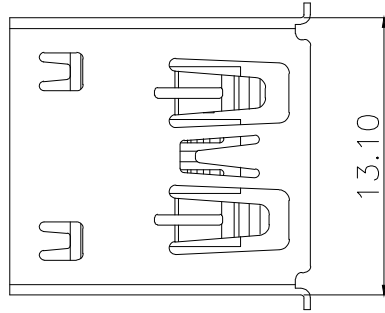



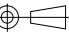
ROHS



NOTES:

1.Specifications

- 1-1.INSERT FORCE:35N MAX.
- 1-2.WITHDRAW FORCE:10N MIN.INITIAL
8-20N AFTER
- 1-3.Current rating:1.0A
- 1-4.Voltage Rating:30V
- 1-5.:Dielectric withstanding:voltage100V AC

APPROVALS		DATE		 ELECTRONICS CO.,LTD		
DRAWN	LIUCAN	2021.5.14				
CHECKED				PART NO.	U-A-39DS-Y-1	
APPROVALS				UNIT: mm	SCALE: 1:1	PROJ: 
TOLERANCES ARE		30~以上	±0.30	ANGLE	DRAWING NO.	SHEET 1 OF 1
		10~30	±0.20			
		5~10	±0.15			
		~ 5	±0.10			

ECN NO.	REV.	DATE.	DESCRIPTION.	CHANGE.	CHECK.	APPRO.
	A		NEW			