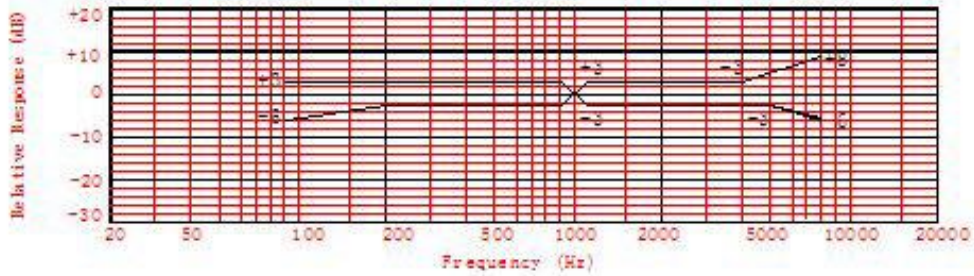


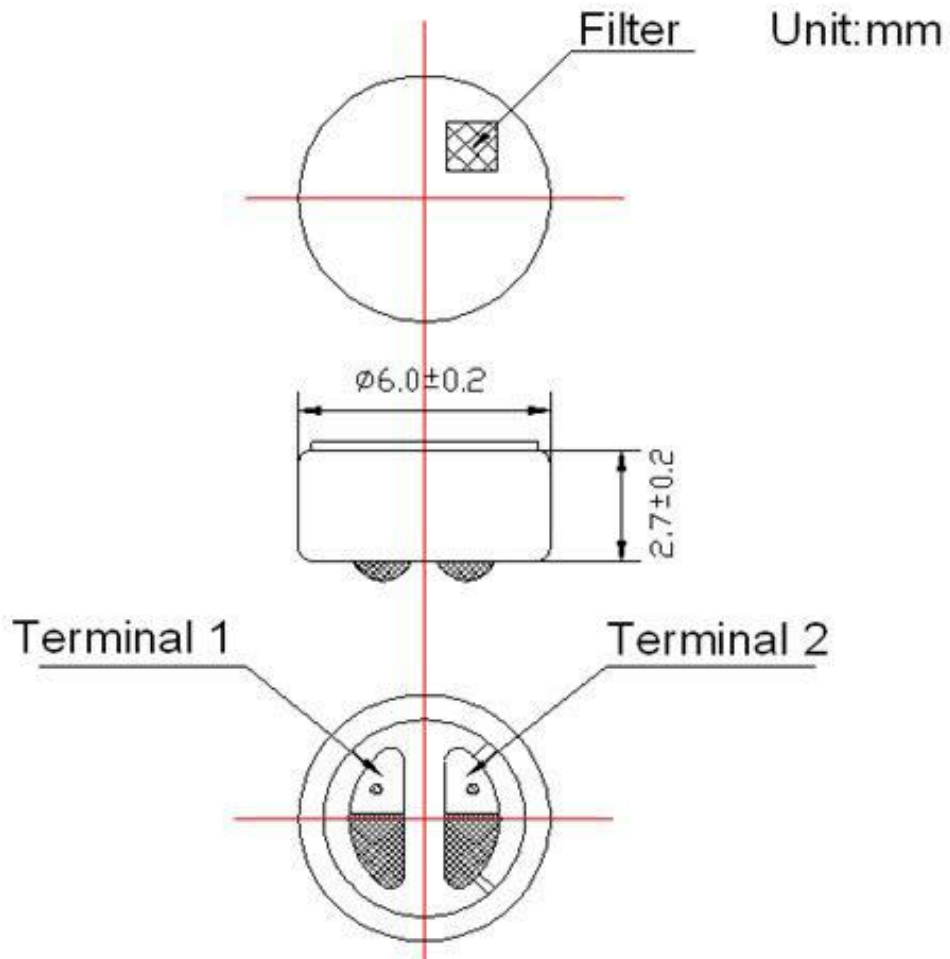
GMI6027-2C 全指向驻积体咪头

详情说明

全指向性



D. APPEARANCE DRAWING



No.	Item	Symbol	Unit	Specification	Condition
1	Directivity			Omnidirectional	
2	Sensitivity	S	dB	-34~-44±2	f=1KHz, 1Pa 0dB=1V/Pa
3	Standard operating voltage	Vs	V	2.0	
4	Output impedance	Zout	KΩ	≤2.2	f=1KHz, 1Pa
5	Frequency		Hz	100-10000	
6	Max operating voltage		V	10	
7	Sensitivity reduction	ΔS-Vs	dB	-3	f=1KHz, 1Pa Vs=1.5VDC to 3VDC
8	Max. current consumption	IDSS	mA	≤0.5	
9	Signal to noise ration	S/N	dBA	≥58	f=1KHz, P in=1Pa
10	Max. Sound Pressure Level	S.P.L	dB	110	
11	Operation temp.		℃	-20 ~+60	
12	Storage temp.		℃	-30 ~+70	
13	Dimension		mm	∅ 6.0 x 2.7	See appearance drawing
14	Terminal			Terminal	See appearance drawing