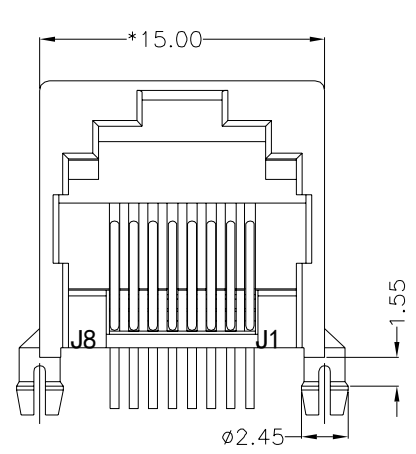
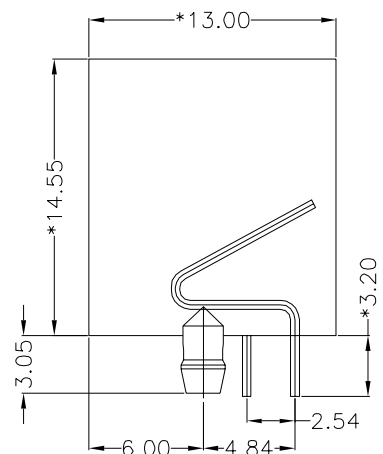


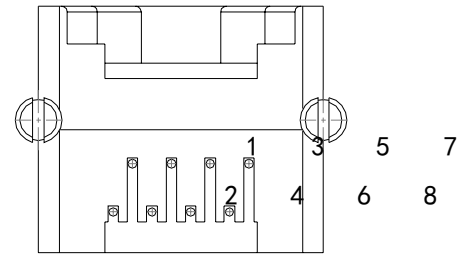
REV.	ECN. NO.	APPD.
A		



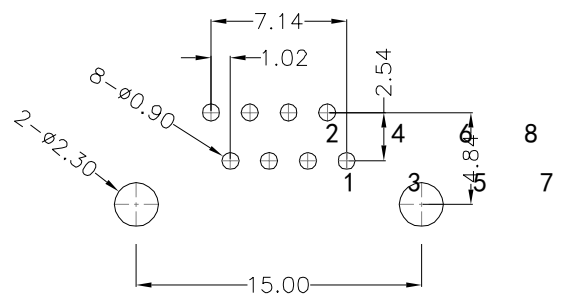
FRONT VIEW



RIGHT SIDE VIEW



BOTTOM VIEW



RECOMMENDED PCB LAYOUT
VIEWED FROM COMPONENT SIDE

MATERIAL:

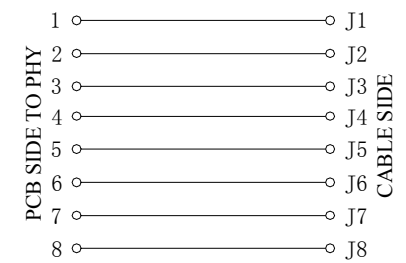
HOUSING: PBT,UL94V-0,GRAY.
TERMINAL: PHOSPHOR BRONZE Ø=0.46MM, G/FU" GOLD PLATING.

MACHANICAL:

DURABILITY: 750 CYCLES MIN,12.5MM/MINUTE.
INSERTION FORCE: 2.2KG.F MAX.
RETENTION STRENGTH : 7.7KG.F BETWEEN JACK AND PLUG.
OPERATING TEMPERATURE: -40°C~+85°C.
STORAGE TEMPERATURE: -40°C~+85°C.
ALL CRITICAL DIMENSIONS WITH "*"

ELECTRICAL:

VOLTAGE: 125 VOLTS AC.
CURRENT RATING : 1.5AMP.
DIELECTRIC STRENGTH: 1000 VAC RMS 50HZ OR 60HZ,1MIN.
INSULATION RESISTANCE: 500 MEGA OHMS MIN. INITIAL
AFTER 500V DC FOR 1 MINUTE.
CONTACT RESISTANCE: SINGLE TERMINAL 30 MILLIOHMS MAX.
INITIAL 50 MILLIOHMS MAX. AFTER
DURABILITY TEST.



X. ± 0.30 .X ± 0.20 .XX ± 0.10 .XXX ± 0.05	X.° ± 5° .X° ± 2° .XX° ± 1° .XXX° ± 0.5°	UNITS	mm	NAME(INTENDED USE)	MINTRON CO.,LTD.
		MAT'L		PART NO.(INTENDED USE)	
		FINISH		APPD: SUNNY	
		Q'TY		CHKD: LISA	
JACK SOCKET CONNECTOR				DR: ZOE 2006-11-28	DWG NO.: MT5521IWA1DY1017
					SCALE 1/1
					SHEET 1/1
					REV. A