



深圳市首韩科技有限公司

SHENZHEN SHOUHAN TECHNOLOGY CO., LTD

Tel: 0755-27597601 Fax: 0755-27597491

承 认 书
SPECIFICATION FOR APPROVAL

客 户 Customer:

产品名称 Project:

轻触开关

规格型号 Part No:

TS4550TP

贵公司承认印 Approval signatures

料 号/Part No.	签 章/Signatures

日期 Date:

拟制/Drawn	李春风	
审核/Check	刘学	
批准/Approved	罗孝金	



深圳市首韩科技有限公司

SHENZHEN SHOUHAN TECHNOLOGYCO.,LTD

Tel: 0755-27597601 Fax: 0755-27597491

Page

1/2

MODEL

TS4550TP

SIRLES		系列:FLIP SWITCHES(轻触开关)	
MODEL		型号: TS4550TP	
1.RATING		额定值:50Ma 12VDC	
2.CONSTRUTION DIMENSION 结构尺寸		Apply to the appended drawing:符合附加图纸	
3.APPEARANCE 外观		Have no remarkable damage,crack and rust etc: 无明显损伤,裂纹,锈迹等.	
4.CONTACTLOOP 接触回路		Monople loop:单通单极回路	
ITEM 专案		TEST CONDITION 测试条件	SPECIFICATION 规格
5.CAPABILITY OF ELECTRIC 电气性能			
5A	INSULATION RESISTANCE 绝缘电阻	Measurements shall be made following Application of DC500V potential across terminals and across terminals and fuame for 1minute,在端子之间和端子与壳之间加 DC500V 条件下,持续 1 分钟测量.	100M Ω min 100 兆欧以上.
5B	WITHSTAND VILTAGE 耐电压	AC250V、50HZ、1min (imin(interrupting current ≤500uA). AC250V、50HZ、1 分钟(漏电流 500uA)	There shall be no briakdown 无击穿现象出现。
5C	CONTACT CIRCUIT 接触电路	Addition 1.5-2 time force on the top of the keystrok and press the switch,DC50V100mA 在按键顶端上等于作用力1.5-2 倍的力按动开关,DC50V,10Ma.	100m Ω Max (100 m Ω 以下).
5D	SWITCH CONNECTION FLASH 开关接触点抖动	Addition DC5V on the two side of switch,at a speed of 3-5time a sec.to press the switch. 在开关的两端加 DC5V 的电压,以 3-5 次/秒的速度按动开关.	The flash time betwcn open not more than 10ms. 开关在接通和断开时的接点抖动时间不大于 10 ms.
6.MECHANICAL EFFICIENCY 机械性能			
6A	CONTACT STRENGTH 按键强度	The contact shall be capable of a rorce of 5N for 5 seconds in any directions.沿开关动作方向可承受静能压力 5N, 保持 5 秒钟.	Switch electric andmechanical efficiency does not break 无损开关电气或者机械性能
6B	CONTACT JOURNEY		按键行程 0.25 ± 0.1mm
6C	DRIVE FORCE 驱动力	Being measure at across spring piece and across keystoke forergometer.用测力计在按键与弹片之间测量.	Contact witch'sd drivenrive fouce was250 ± 30gf. 按键的开关驱动力为 250 ± 30gf



深圳市首韩科技有限公司

SHENZHEN SHOUHAN TECHNOLOGY CO., LTD

Tel: 0755-27597601 Fax: 0755-27597491

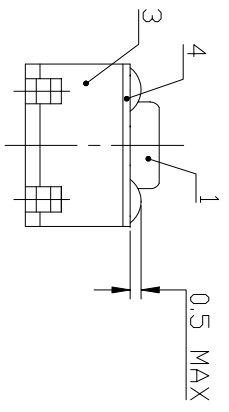
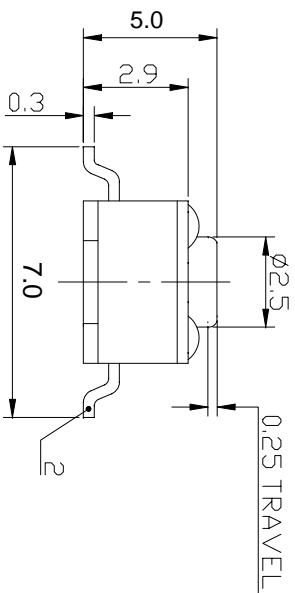
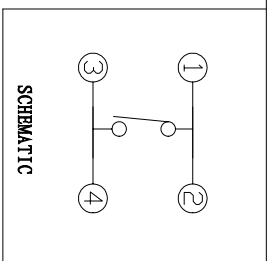
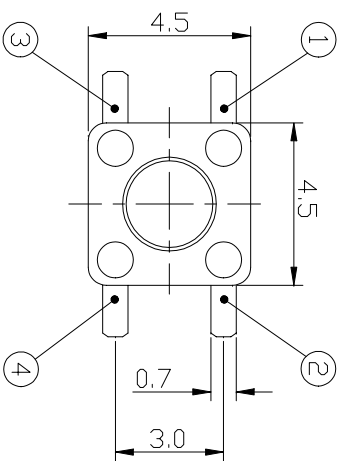
Page

2/2

MODEL

TS4550TP

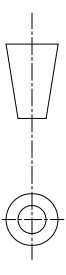
6D	CONNECTION STRENGTH 接线端强度	A force of 1N being applying in any directions of the switch connection partt.. 在接线端的作用方向施加 1N 的力.	Switch mechanical efficiency does not break. 无损开关机械性能.
6E	MECHANICAL LIFE 机械寿命	Operatin at a rate of 30-50 cycles a minute. 以 30-50 次/分的驱动速度操作.	Life: 50000 cycles 寿命: 50000 次
7. ENVIRONMENTAL RESISTANT EFFICIENCY 耐环境性能			
7A	CHANGE OF TEMPERATURE 温度变化	The first temperature shall be 70 °C , 3h and changed to -25 °C, 0.5h, 5 cycles of above test. 先 70 °C, 3h, 然后 -25 °C, 0.5h, 如此重复 5 次.	1. The appearance should not break. 外观应无损伤. 2. Contact resistance $\leq 100 M \Omega$ 接触电阻 $\leq 100 M \Omega$
7B	HUMIDITY RESISTANT 耐湿热	40 \pm 2 °C in temperature and 90-95% RH, during the test time without load; After testing the temperature should be 24h. 经 40 \pm 2 °C, 相对湿度 90-95%, 试验期间, 开关不动作, 不带电负荷, 试验后恢复到常温 24h.	3. Insulation resistance $\geq 100 M \Omega$. 绝缘电阻 $\geq 100 M \Omega$
8. JOINTING EFFICIENCY 焊接性能			
8A	SOLDERABILITY 可焊性	Temperature 260 \pm 5 °C ; Duration ; 3 \pm 0.5 S. 温度在 260 \pm 5 °C, 持续 3 \pm 0.5 S.	Solderability part should above 90% 可焊部分被焊料覆盖面应在 90% 以上.
8B	SOLDER-RESISTANT 耐焊剂性	Warm-up temperature: 100 °C, 40 S, 焊锡温度 260 \pm 5 °C, 浸焊时间 5 \pm 0.5 S.	Froth height of assist solder should under board and switch electric and mechanical efficiency does not break. 助焊剂发泡不应超过印制板, 无损伤开关电气或机械动作性能.
8C	JOINTING-RESISTANT 耐焊接热	Jointing temperature: 260 \pm 5 °C , Duration of immersion: 5 \pm 1 S. 焊锡温度 260 \pm 5 °C, 浸焊时间 5 \pm 1 S	efficiency does not break 无损伤开关电气或机械动作性能.
8D	NORMAL JOINTING TIMES 正常焊接次数		≤ 2 times 小于 2 次
9. NOTES			
9A	The whole boxes of switch should keep in the temperature -30--80 °C and less than 80% RH without acidic, alkalescence, caustic gas in the environment of the storage. 整箱包装的开关, 应在温度为 -30--80 °C, 相对湿度不大于 80%, 周围的空气中没有酸性、碱性或其他腐蚀性气体的库房内保管。		
9B	Operating Temperature Range: -20 to 70 °C 操作温度的范围: -25 to 70 °C		
9C	Switch should install in a correct method. 开关应按正确的安装方法进行正确安装使用。		



H=3.8/4.3/4.5/4.8/5/6...12


首韩
 SHOUHAN
深圳市首韩科技有限公司

TITLE : TACT SWITCH
 MODEL : TS45501TP



UNIT :	MM	DWN.	李春风	DATE	2019 0807
SCALE :	5 : 1	CHK'D	刘学	DATE	2019 0807
VERSION	01	APPD.	罗孝金	DATE	2019 0807

TOLERANCE	<=1.5mm ± 0.1	ANGLE TOL	± 2
	> 1.5mm ± 0.2		

NO.	PART NAME	MATERIAL	QTY.	FINISHING
5	CONTACT	SUS	1	Ag CLAD
4	COVER	BRASS	1	NI PLATED
3	CASE	NYLON	1	BLACK
2	TERMINAL	BRASS STRIP	4	Ag PLATED
1	KNOB	NYLON	1	BLACK

MODEL NO.	
TD-10XA	
TD-10XB	
TD-10XC	