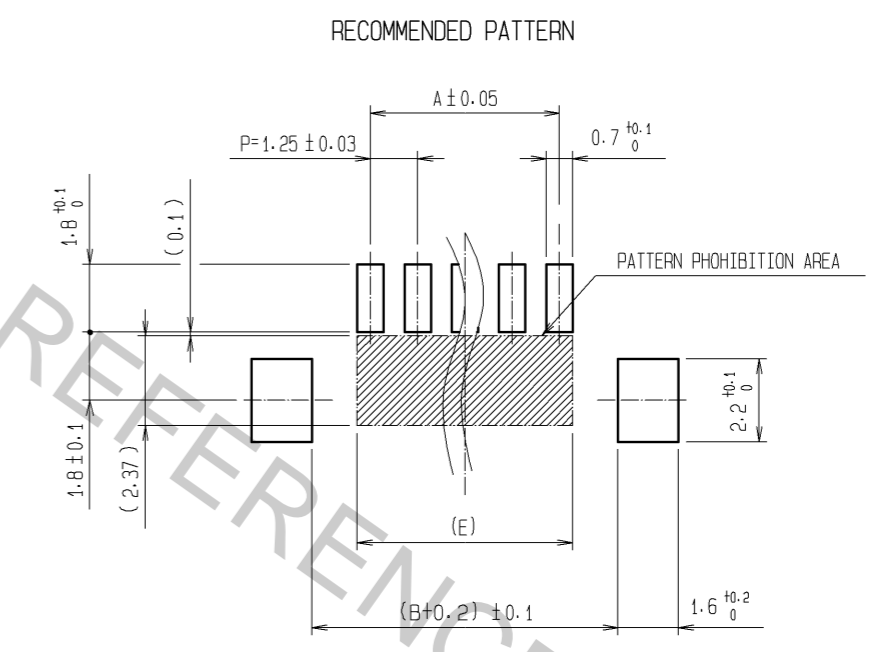


CODE No.	CONTACT	A	B	C	D	E	F
CL536-0401-2-21	2	1.25	4.15	7.15	5.65	1.95	2.2
CL536-0402-5-21	3	2.5	5.4	8.4	6.9	3.2	3.45
CL536-0403-8-21	4	3.75	6.65	9.65	8.15	4.45	3.1
CL536-0404-0-21	5	5.0	7.9	10.9	9.4	5.7	4.35
CL536-0405-3-21	6	6.25	9.15	12.15	10.65	6.95	5.6
CL536-0406-6-21	7	7.5	10.4	13.4	11.9	8.2	6.85
CL536-0407-9-21	8	8.75	11.65	14.65	13.15	9.45	8.1
CL536-0408-1-21	9	10.0	12.9	15.9	14.4	10.7	9.35
CL536-0409-4-21	10	11.25	14.15	17.15	15.65	11.95	10.6
CL536-0410-3-21	11	12.5	15.4	18.4	16.9	13.2	11.85
CL536-0411-6-21	12	13.75	16.65	19.65	18.15	14.45	13.1
CL536-0413-1-21	14	16.25	19.15	22.15	20.65	16.95	15.6
CL536-0414-4-21	15	17.5	20.4	23.4	21.9	18.2	16.85



- NOTES
- 1 WHEN THIS CONNECTOR MATES WITH DF13-\*S-1.25C, THE MATING LENGTH IS 5.8mm.
  - 2 WHEN THIS CONNECTOR HAS TWO OR THREE CONTACTS, THE LOCK SHALL BE SET AT THE CENTER OF HOUSING. IF MORE THAN FOUR, THE TWO LOCKS SHALL BE SET AS SHOWN ON THIS DRAWING.
  - 3 LEAD CO-PLANARITY INCLUDING REINFORCED METAL FITTINGS SHALL BE WITHIN 0.1mm.
  - 4 AREA TO PICK AND PLACE.

NO.	MATERIAL	FINISH	REMARKS	NO.	MATERIAL	FINISH	REMARKS
3	PHOSPHOR BRONZE		SURFACE: TIN PLATED 1μm min.	5	POLYESTER		COVER TAPE·CLEAR
2	BRASS		SURFACE: TIN PLATED 1μm min.	4	PS		EMBOSSED CARRIER TAPE·CLEAR
1	POLYAMIDE		UL94V-0·(BEIGE)				

UNITS mm		SCALE 5 : 1	COUNT 8	DESCRIPTION OF REVISIONS DIS-H-005399	DESIGNED TS. KUMAZAWA	CHECKED HK. UMEHARA	DATE 10.12.14
APPROVED : TY. OMA 05.10.31				DRAWING NO. EDC3-083672-03			
CHECKED : HK. UMEHARA 05.10.31				PART NO. DF13C-*P-1.25V(21)			
DESIGNED : TS. KUMAZAWA 05.10.31				CODE NO. CL536-			
DRAWN : AK. MIURA 05.10.27							

