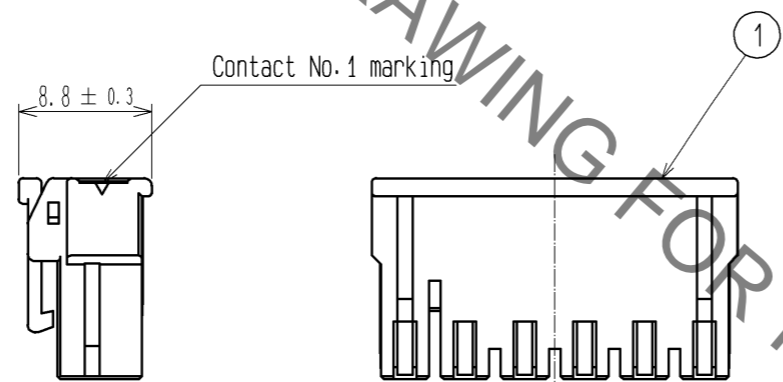
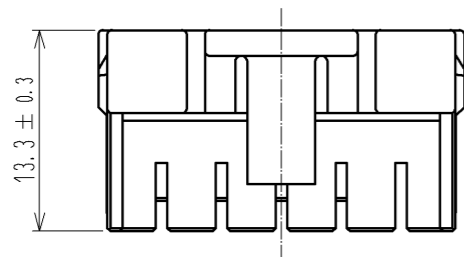
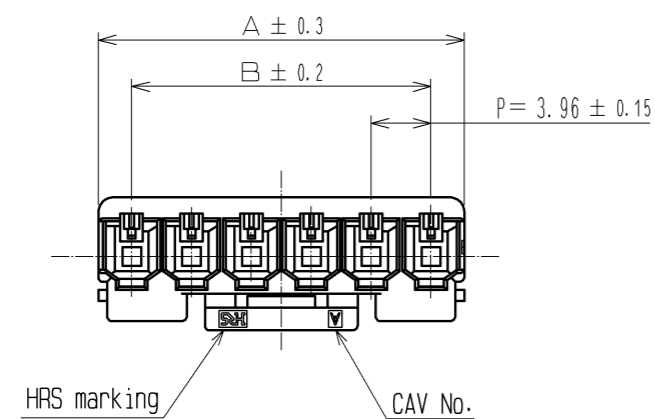
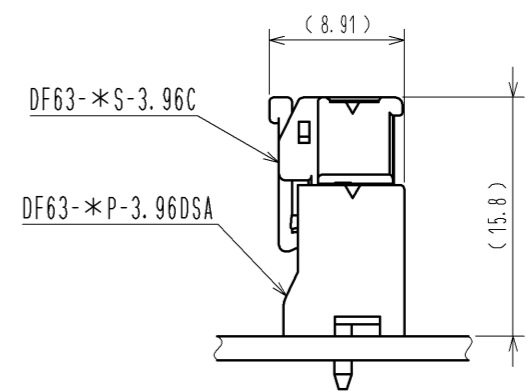


Mar.1.2020 Copyright 2020 HIROSE ELECTRIC CO., LTD. All Rights Reserved.
In case of consideration for using Automotive equipment / device which demand high reliability, kindly contact our sales window correspondents.



Mating Figure



HRS DRAWING FOR REFERENCE

Part Number	HRS No.	Number of Contact	A	B
DF63-1S-3.96C	680-0508-2	1	6.2	—
DF63-2S-3.96C	680-0509-5	2	8.36	3.96
DF63-3S-3.96C	680-0502-6	3	12.32	7.92
DF63-4S-3.96C	680-0510-4	4	16.28	11.88
DF63-5S-3.96C	680-0511-7	5	20.24	15.84
DF63-6S-3.96C	680-0512-0	6	24.2	19.8

NOTE. 1. Per pack:100 Pieces.
2. The dimensions in parenthesis are for reference.

NO.		MATERIAL		FINISH . REMARKS		1	PBT	UL94V-0(BLACK)		
UNITS mm		SCALE 2 : 1		COUNT △		DESCRIPTION OF REVISIONS		DESIGNED	CHECKED	DATE
HIROSE ELECTRIC CO., LTD.		APPROVED : KI. AKIYAMA		13.09.10		DRAWING NO.		EDC3-354067-00		
		CHECKED : OM. MIYAMOTO		13.09.10		PART NO.		DF63-*S-3.96C		
		DESIGNED : TO. HORII		13.09.09		CODE NO.				
		DRAWN : TO. HORII		13.09.09						
△ 1/1										