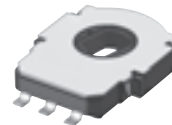


## 10 mm GS Sensors

Type: **EVWAE/EVWAD**

Low profile, long life sensor, which is suitable for detecting the angles of rotating axes.



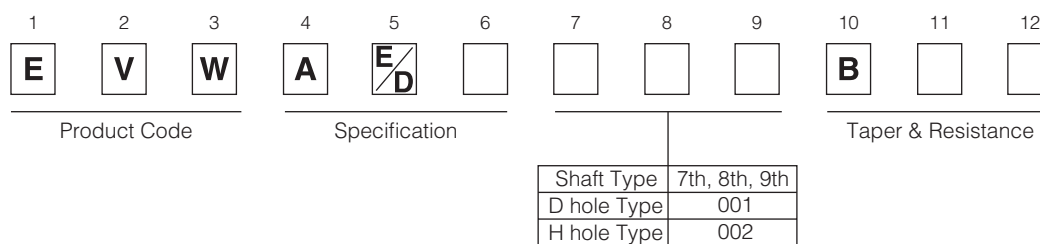
### ■ Features

- Low profile (H=2.2 mm),  
Shaft hole diameters of up to 4 mm are available.
- Long operation life: 1 million operation cycles.
- A wide electrical output angle of a maximum 343 °,  
ready for SMDs

### ■ Recommended Applications

- Detection of robot joint angles
- Detection of air conditioner damper angles
- Detection of various control unit angles

### ■ Explanation of Part Numbers

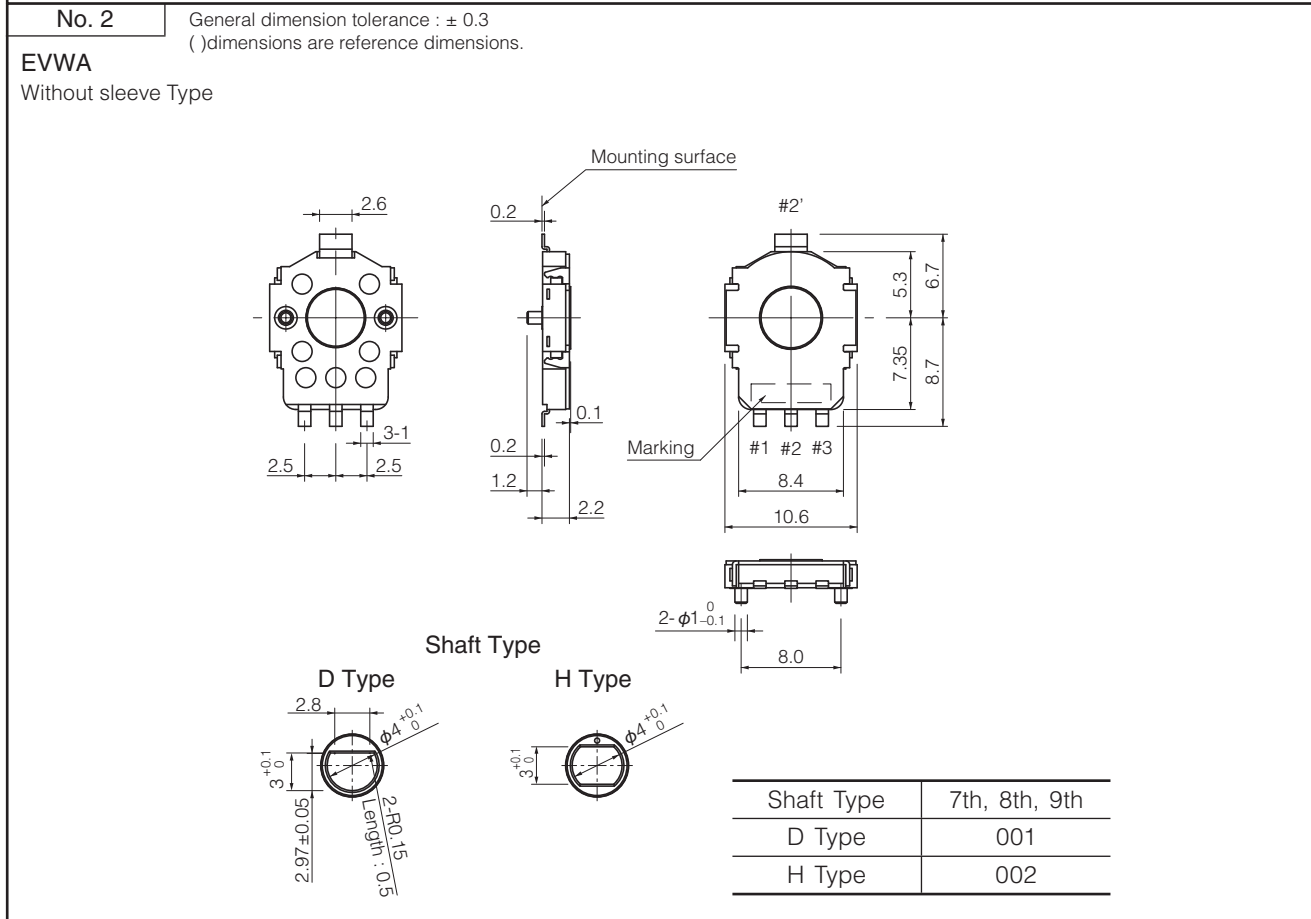
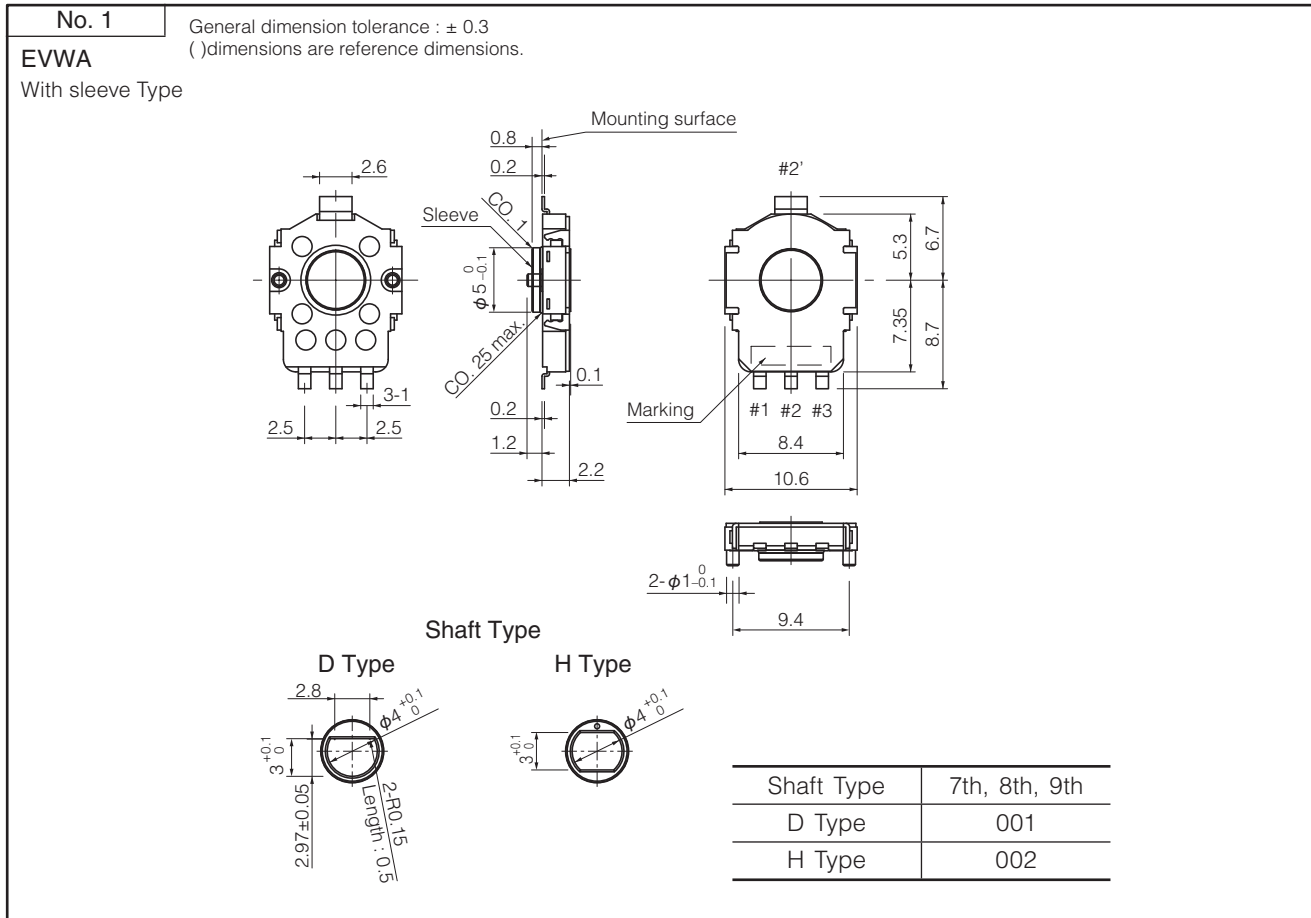


### ■ Specifications

|                               |                  |  |
|-------------------------------|------------------|--|
| Mechanical                    | Rating           | 0.05 W, 5V                                   |
|                               | Operating Force  | 3 mN·m max.                                  |
| Electrical                    | Total Resistance | 5 kΩ±30 %, 10 kΩ±30 %                        |
|                               | Linearity        | ±2 % max.                                    |
| Endurance                     | Operating Life   | 1,000,000 cycles min. (operation Angle ±30°) |
| Minimum Quantity/Packing Unit |                  | 1,500 pcs. Embossed Taping (Reel Pack)       |
| Quantity/Carton               |                  | 6,000 pcs.                                   |

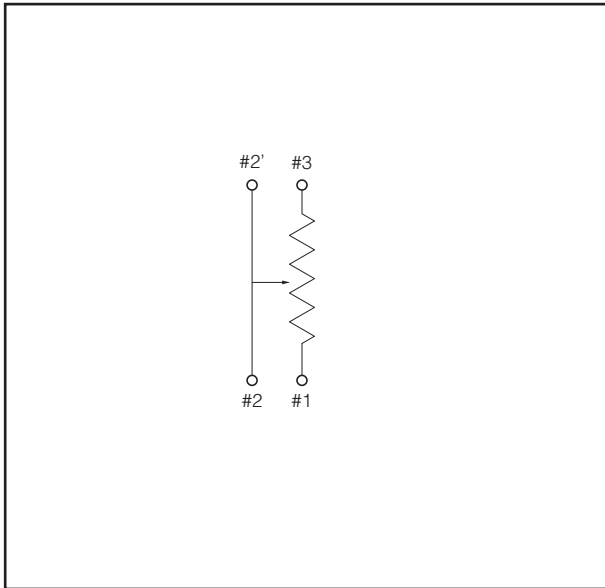
Design and specifications are each subject to change without notice. Ask factory for the current technical specifications before purchase and/or use.  
Should a safety concern arise regarding this product, please be sure to contact us immediately.

■ Dimensions in mm (not to scale)

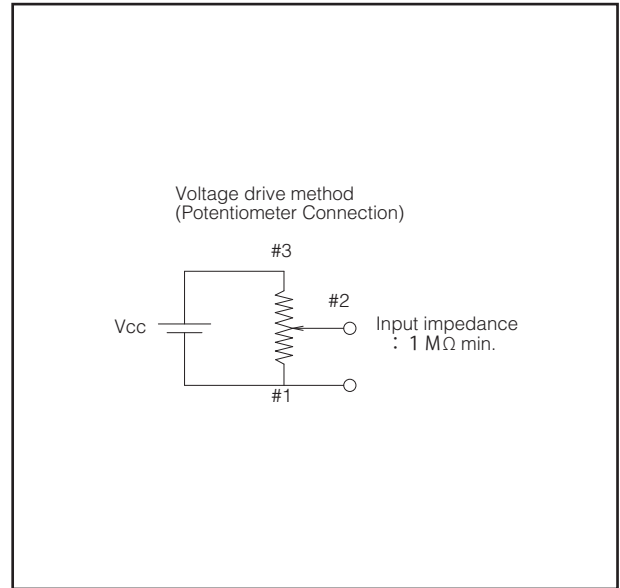


Design and specifications are each subject to change without notice. Ask factory for the current technical specifications before purchase and/or use.  
Should a safety concern arise regarding this product, please be sure to contact us immediately.

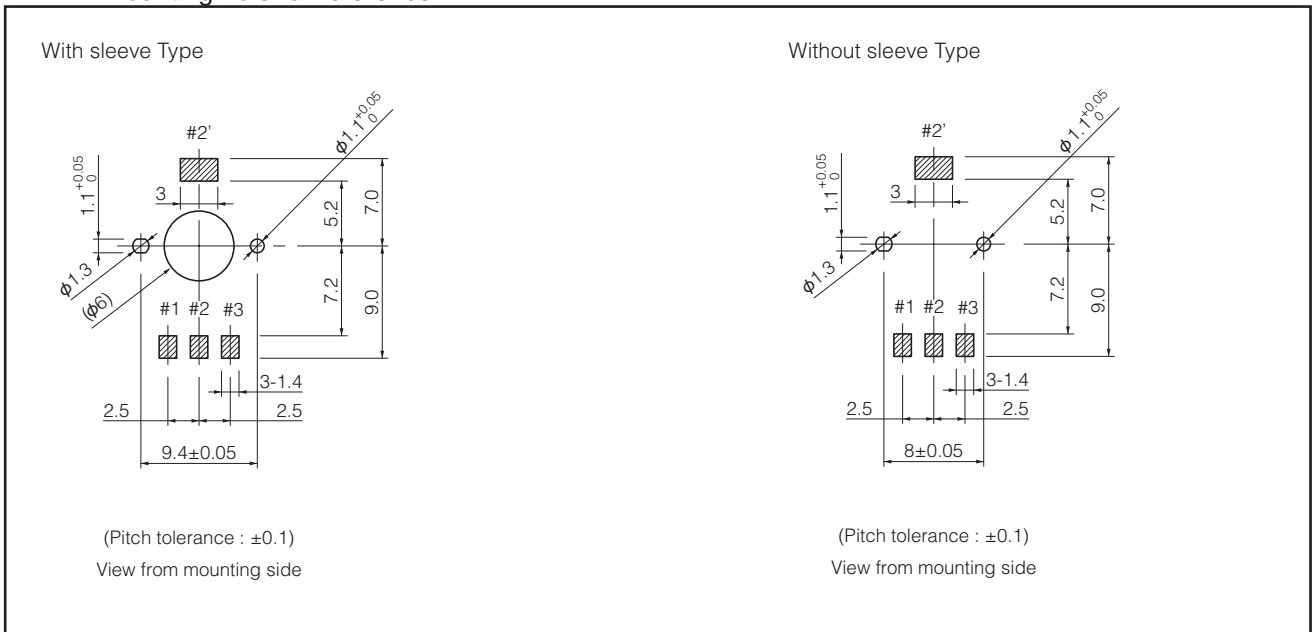
## ■ Circuit diagram



## ■ Test circuit diagram



## ■ PWB mounting hole for reference



Design and specifications are each subject to change without notice. Ask factory for the current technical specifications before purchase and/or use. Should a safety concern arise regarding this product, please be sure to contact us immediately.