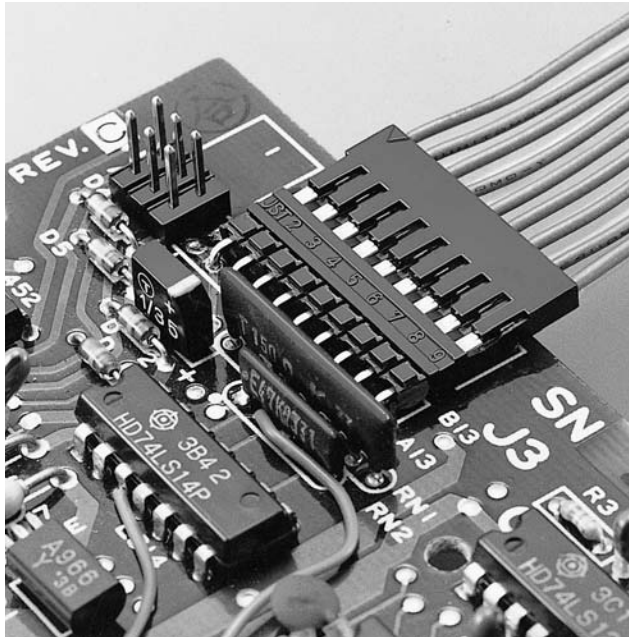
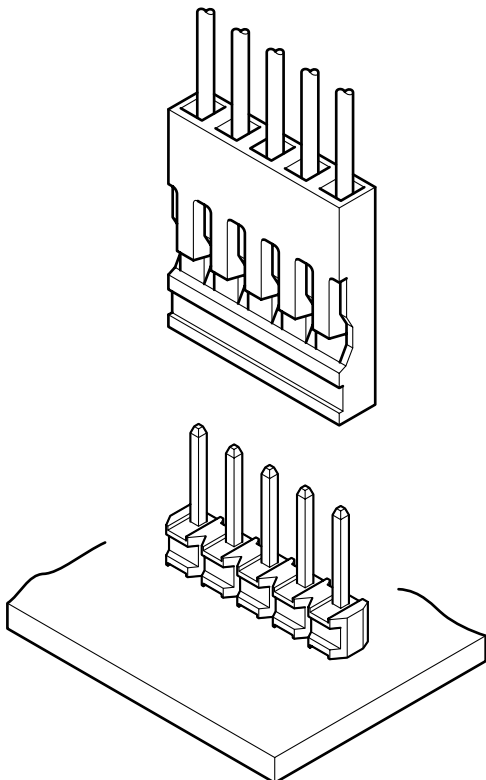


RE CONNECTOR

Disconnectable Crimp style connectors



The RE connector was developed as a highly reliable, low-cost, crimp style connector for connecting wires to printed circuit boards. Well suited for completing the internal connections of office automation equipment, such as personal computers, office computers, and their peripheral devices.



Features

• **Reliable, yet low in cost**

Our unique, double-leaf spring contact withstands the stresses caused by repeated mating and unmating and ensures a stable high-pressure connection. The contacts and headers are selectively gold-plated to reduce costs. Depending on the application, fully tin-plated contacts and headers are available to further reduce costs.

• **Space-saving, high-density design**

Measuring only 16.54mm in height and 2.54mm thick when mounted on a printed circuit board, the RE connector and header require less mounting space and facilitate high-density circuit design.

• **Easy contact insertion**

A slight force is all that is needed to insert the contacts into the housing, because the housing has lances. The position of the contacts in the housing can be visually checked. This facilitates insertion of the contacts in the housing.

• **It can be cut to any length to provide a header with any number of circuits**

Notches are provided on the insulator that allow it to be cut to any length without using special tools.

Specifications

- Current rating: 2 A AC, DC (5 circuits/AWG #24)
 - Voltage rating: 250 V AC, DC
 - Temperature range: (including temperature rise in applying electrical current)
 - 55°C to +105 °C (gold plated)
 - 55°C to +85°C (tin-plated)
 - Contact resistance: Initial value/ 15 mΩ max.
After environmental tests/ 30 mΩ max.
 - Insulation resistance: 1,000 MΩ min.
 - Withstanding voltage: 1,500 VAC/minute
 - Applicable wire: AWG #30 to #24
 - Applicable PC board thickness: 1.2 to 1.6 mm
- * Refer to "General Instruction and Notice when using Terminals and Connectors" at the end of this catalog.
 * Contact JST for details.
 * Compliant with RoHS.

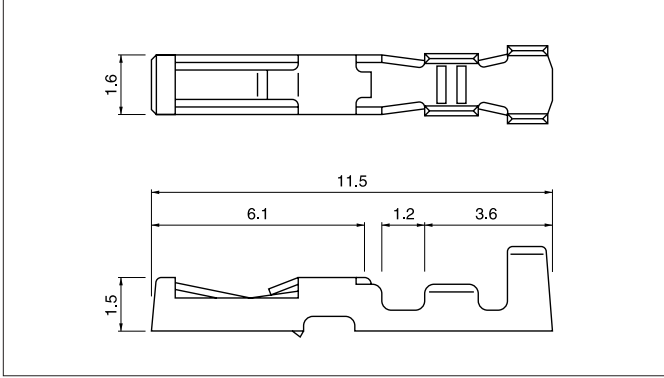
Standards

Recognized E60389

Certified LR20812

RE CONNECTOR

Contact



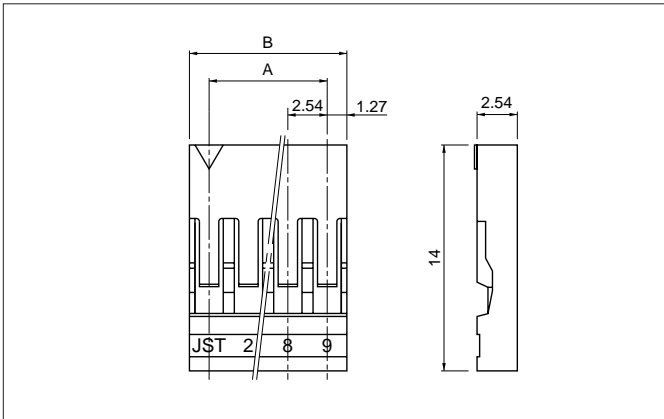
Model No.	Applicable wire			Finish	Q'ty/ reel
	mm ²	AWG #	Insulation O.D. (mm)		
RF-SC2210	0.05 to 0.22	30 to 24	0.9 to 1.5	Nickel-undercoated, Mating part: gold-plated Crimping part: tin-plated (reflow treatment)	10,000
RF-SC2290				Tin-plated (reflow treatment)	

Material

Phosphor bronze

RoHS compliance RF-SC2210 displays (LF)(SN) on a label.

Housing



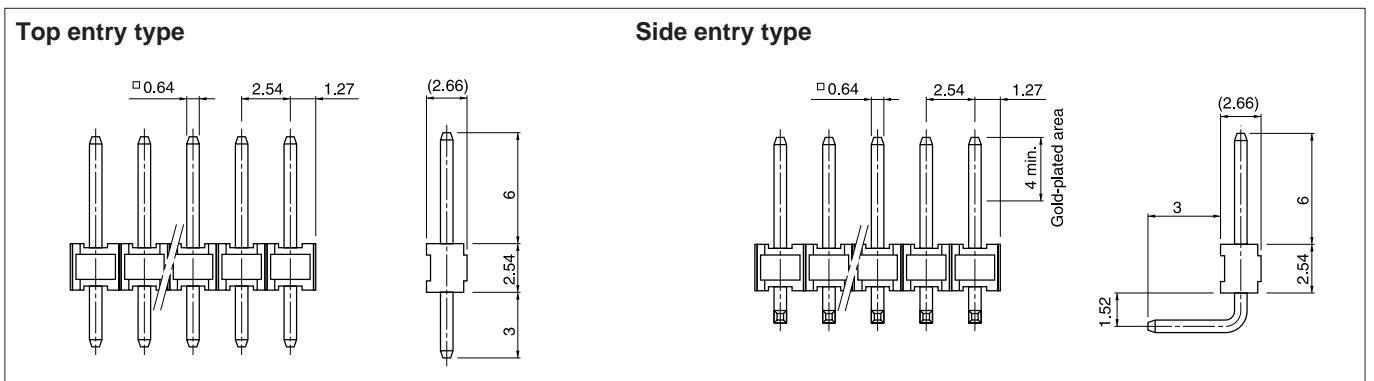
Circuits	Model No.	Dimensions (mm)		Q'ty/ box
		A	B	
2	RE-02	2.54	5.08	1,000
4	RE-04	7.62	10.16	1,000
5	RE-05	10.16	12.70	1,000
8	RE-08	17.78	20.32	500
9	RE-09	20.32	22.86	500

Material

PBT, UL94V-0, black

RoHS compliance

Header



Type	Model No.	Material		Finish
		Wafer	Post	
Top entry type	RE-H(*)2TD-1130	PBT, UL94V-0, black	Brass	Nickel-undercoated, gold-plated
	RE-H(*)2TD-1190			Copper-undercoated, tin-plated (reflow treatment)
Side entry type	RE-H(*)2SD-1110	PBT, UL94V-0, black	Brass	Nickel-undercoated, Mating part: gold-plated Solder tail; tin-plated (reflow treatment)
	RE-H(*)2SD-1190			Copper-undercoated, tin-plated (reflow treatment)

RoHS compliance Tin-plated product displays (LF)(SN) on a label.

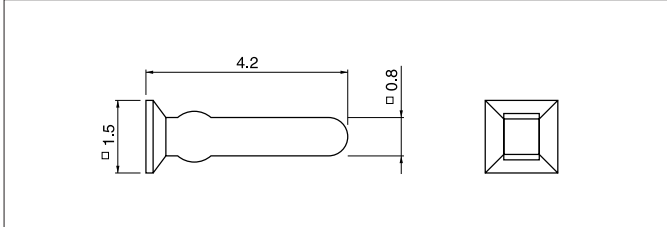
Note: 1. A two-digit number (02 to 09) representing the number of circuits should be inserted in (*).

Determine the number depending on the number of circuits of the housing or header.

2. Contact JST for special products.

RE CONNECTOR

Polarizing key



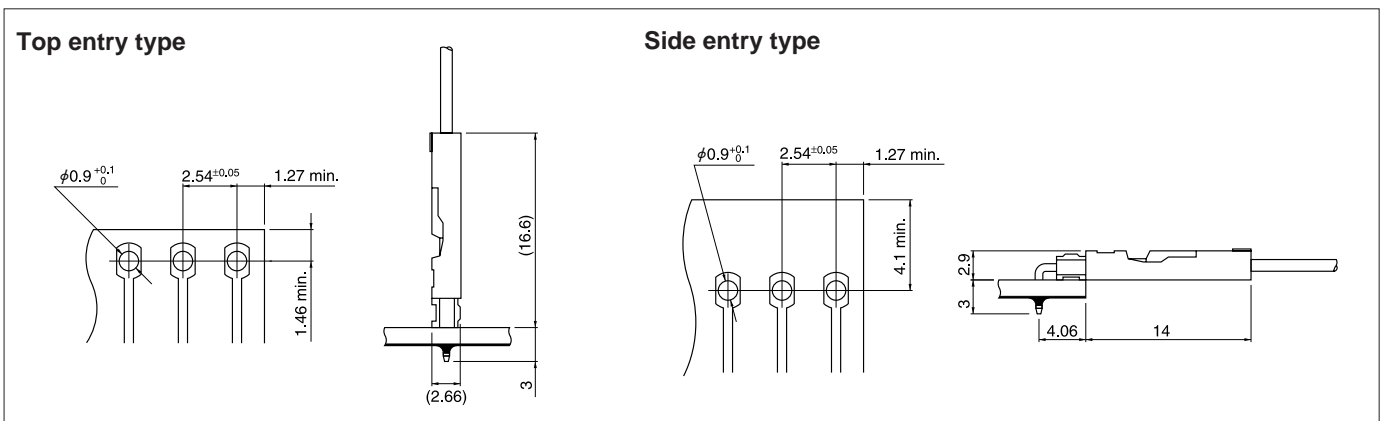
Model No.	Q'ty/bag
PK-RF-1	10,000

Material
PBT, UL94V-0, natural (white)

RoHS compliance

Polarizing key: The polarizing key in the housing prevents misinsertion of the connector to the header.

PC board layout (viewed from soldering side) and Assembly layout



Note:

1. Tolerances are non-cumulative: ± 0.05 mm for all centers.
2. Hole dimensions differ according to the type of PC board and piercing method. The dimensions above should serve as a guideline. Contact JST for details.

Crimping machine, Applicator

Contact	Crimping machine	Crimp applicator	Dies	Crimp applicator with dies
RF-SC2210	AP-K2N	MKS-L	MK/RF-SC22	APLMK RF-SC22
RF-SC2290		—	—	—