

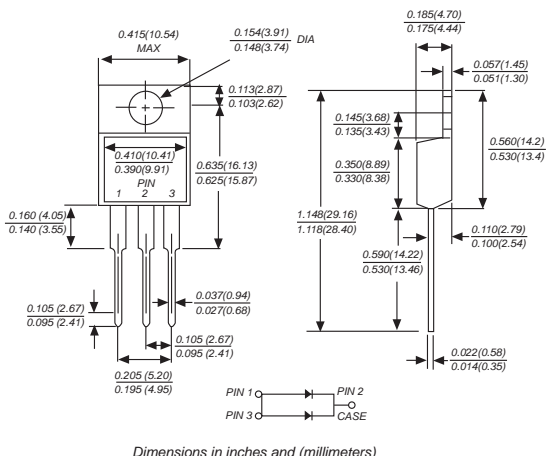


MBR201500CT THRU MBR20200CT

SCHOTTKY BARRIER RECTIFIER

Reverse Voltage - 150 to 200 Volts Forward Current -20.0 Amperes

TO-220AB



FEATURES

- ◆ The plastic package carries Underwriters Laboratory Flammability Classification 94V-0
- ◆ Construction utilizes void-free molded plastic technique
- ◆ Low reverse leakage
- ◆ High forward surge current capability
- ◆ High temperature soldering guaranteed: 250°C, 0.25" (6.35mm) from case for 10 seconds

MECHANICAL DATA

Case: TO-220AB molded plastic body
Terminals: Leads solderable per MIL-STD-750, Method 2026
Polarity: As marked
Mounting Position: Any
Weight: 0.080 ounce, 2.24 grams

MAXIMUM RATINGS AND ELECTRICAL CHARACTERISTICS

Ratings at 25°C ambient temperature unless otherwise specified.
 Single phase half-wave 60Hz, resistive or inductive load, for capacitive load current derate by 20%.

MDD Catalog Number	SYMBOLS	MBR20150CT	MBR20200CT	UNITS
Maximum repetitive peak reverse voltage	V_{RRM}	150	200	VOLTS
Maximum RMS voltage	V_{RMS}	135	140	VOLTS
Maximum DC blocking voltage	V_{DC}	150	200	VOLTS
Maximum average forward rectified current (see fig.1)	$I_{(AV)}$	20.0		Amps
Peak forward surge current 8.3ms single half sine-wave superimposed on rated load (JEDEC Method)	I_{FSM}	150.0		Amps
Maximum instantaneous forward voltage at 10.0A	V_F	0.95		Volts
Maximum DC reverse current at rated DC blocking voltage	I_R	0.2		mA
		50.0		
Maximum thermal resistance(NOTE 1)	$R_{\theta JC}$	1.5		°C/W
Operating junction temperature range	T_J	-55 to +150		°C
Storage temperature range	T_{STG}	-55 to +150		°C

Note: 1. Thermal resistance from junction to case



RATINGS AND CHARACTERISTIC CURVES MBR20150CT THRU MBR20200CT

FIG.1 TYPICAL FORWARD CHARACTERISTICS

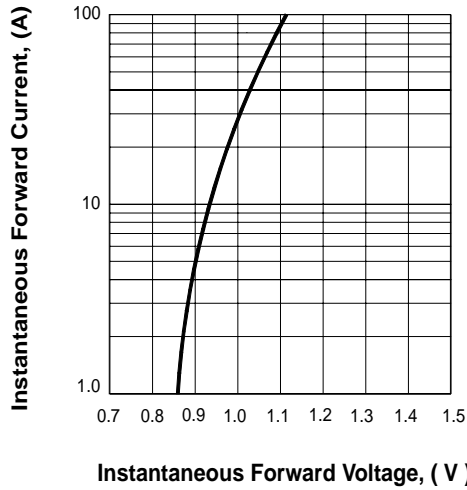


FIG.2 FORWARD DERATING CURVE

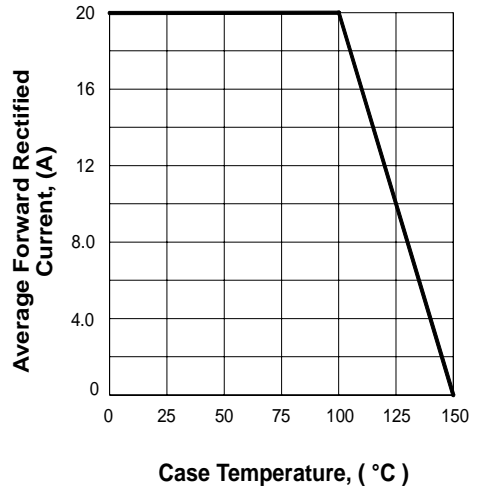


FIG.3 TYPICAL REVERSE CHARACTERISTICS

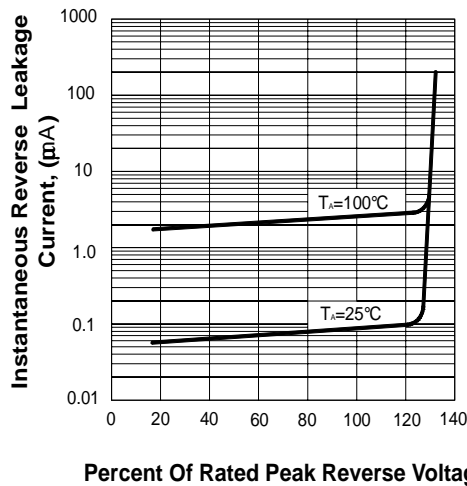
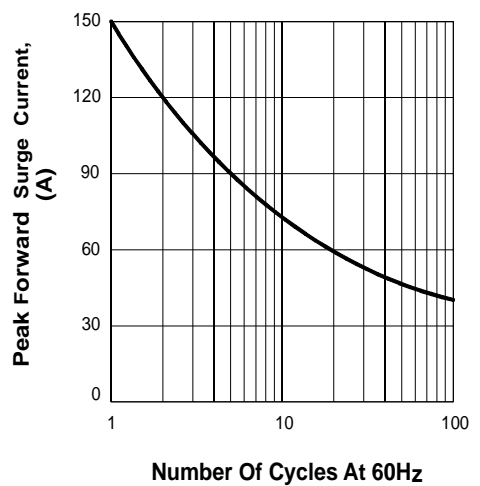


FIG.4 PEAK FORWARD SURGE CURRENT



The cruve graph is for reference only, can't be the basis for judgment(曲线图仅供参考)!



www.microdiode.com