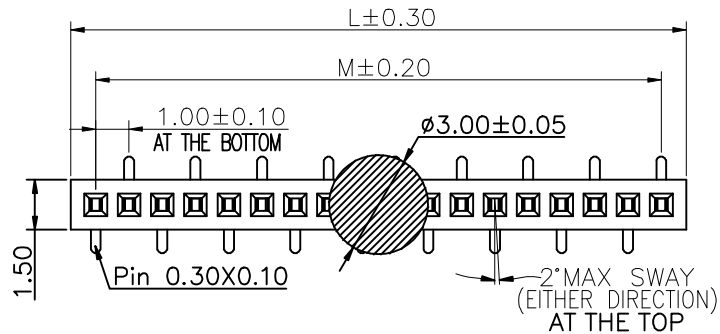
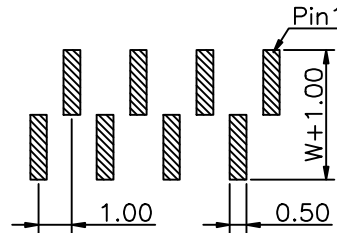


1 2 3 4 5 6 7 8 9

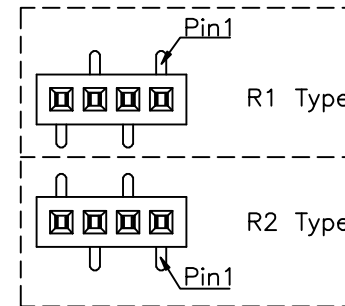
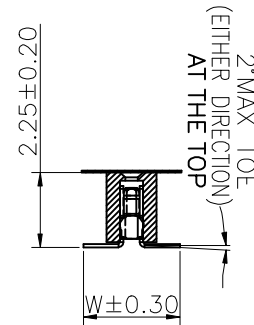
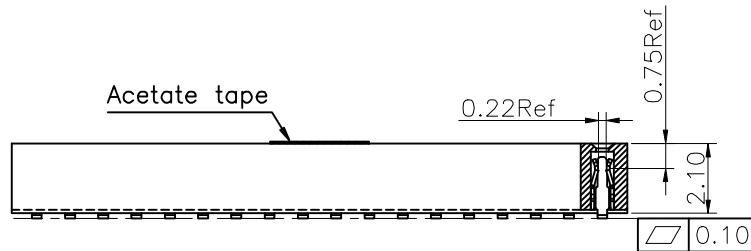
F  
E  
D  
C  
B  
A



Recommended P.C.Board Layout  
(Tolerance:±0.05)

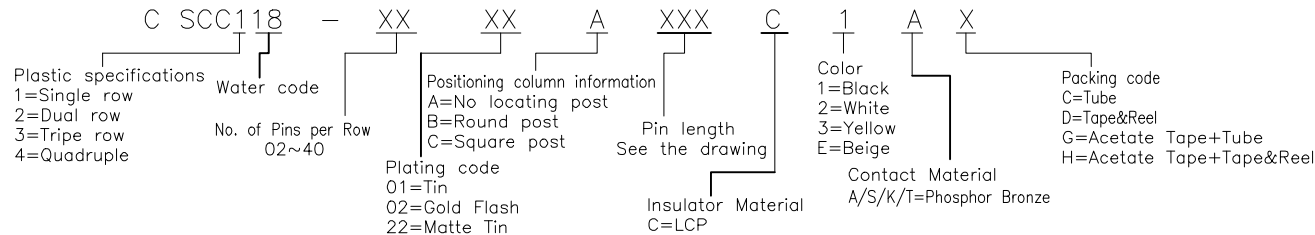


Specifications  
Current Rating:1Amp  
Insulation Resistance:1000MΩMin.  
Dielectric Withstanding Voltage:300VAC  
Contact Resistance:20mΩMax.  
Operating Temperature:-40°C to +105°C  
Materials  
Contact Material:Phosphor Bronze  
Insulator Material:High Temperature Thermoplastic, UL 94V-0 LCP or the equivalent material  
All materials must meet Greenconn requirement for environment protection.



No. of PIN/ROW	Dimension Information	
	M	L
02	1.00	2.50
03	2.00	3.50
04	3.00	4.50
05	4.00	5.50
06	5.00	6.50
07	6.00	7.50
08	7.00	8.50
09	8.00	9.50
10	9.00	10.50
11	10.00	11.50
12	11.00	12.50
13	12.00	13.50
14	13.00	14.50
15	14.00	15.50
16	15.00	16.50
17	16.00	17.50
18	17.00	18.50
19	18.00	19.50
20	19.00	20.50
21	20.00	21.50
22	21.00	22.50
23	22.00	23.50
24	23.00	24.50
25	24.00	25.50
26	25.00	26.50
27	26.00	27.50
28	27.00	28.50
29	28.00	29.50
30	29.00	30.50
31	30.00	31.50
32	31.00	32.50
33	32.00	33.50
34	33.00	34.50
35	34.00	35.50
36	35.00	36.50
37	36.00	37.50
38	37.00	38.50
39	38.00	39.50
40	39.00	40.50

Ordering Information



格稜股份有限公司  
Greenconn Corporation

GENERAL TOLERANCE

X.±5.0'	X.±0.30
.X'±3.0'	.X±0.25
.XX'±2.0'	.XX±0.15
.XXX'±1.0'	.XXX±0.10

DESIGN:	DATE:
CHECKED:	DATE:
AUDITED:	DATE:
APPROVED:	DATE:

DWG. NO.	CSCC118-CAXX
PART NO.	CSCC118-XXXX AXXC1AX

TITLE:  
1.00 FEMALE HEADER  
SINGLE ROW SMT  
TYPE CONNECTOR

REV. 01	UNIT. mm	SCALE. 3:1	PAGE. 1/1	
---------	----------	------------	-----------	--

1 2 3 4 5 6 7 8 9