

Female Header

pitch 2.00mm (0.079") | Dual row | R/A

CSFB203 Series

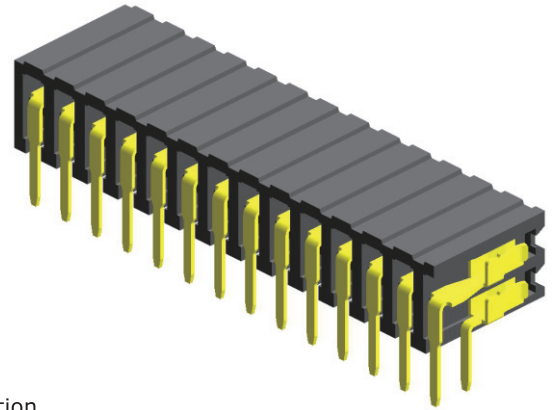
Specifications

Current Rating : 2.0 Ampere
 Insulation Resistance : 1000 MΩ Min
 Dielectric Withstanding : 500V AC
 Contact Resistance : 20 mΩ Max
 Operating Temperature : -40°C to +105°C

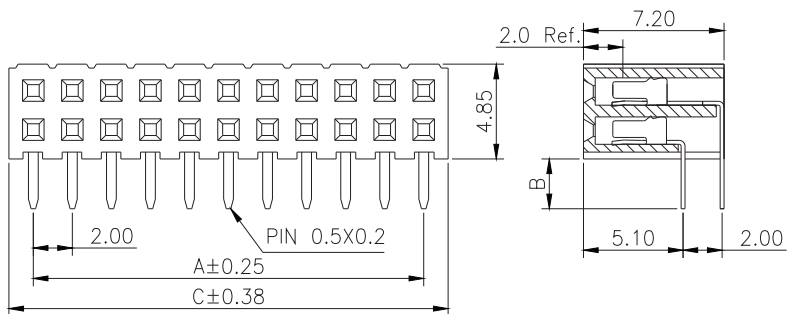
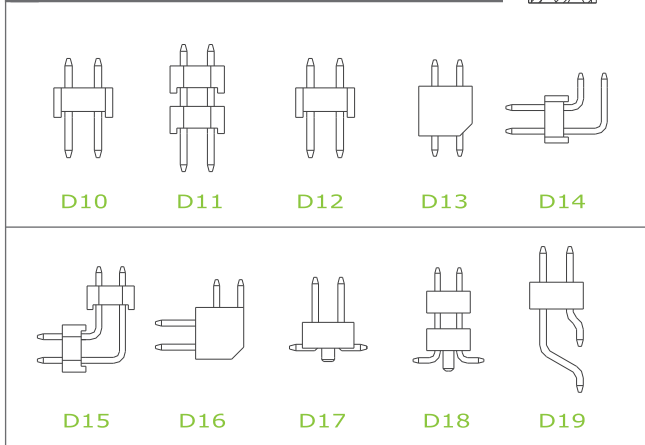
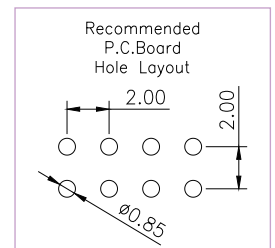
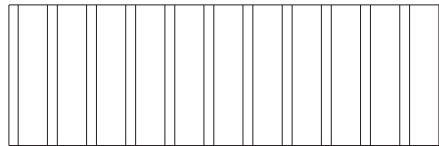
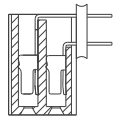
Materials

Contact Material : Phosphor Bronze
 Insulation Material : High Temperature Thermoplastic, 94V-0 Nylon

All materials must meet Greenconn's requirements for environmental protection.



Mating with



P.S. : Suggested mating pin length : 3.5 ~ 7.0 mm

* For Coded Dimension Not Inside The Table, Please Refer To "Ordering Information"

No. of Pins/Row	Dimension Information			No. of Pins/Row	Dimension Information			No. of Pins/Row	Dimension Information			No. of Pins/Row	Dimension Information		
	A	C			A	C			A	C			A	C	
02	2.00	4.50		11	20.00	22.50		21	40.00	42.50		31	60.00	62.50	
03	4.00	6.50		12	22.00	24.50		22	42.00	44.50		32	62.00	64.50	
04	6.00	8.50		13	24.00	26.50		23	44.00	46.50		33	64.00	66.50	
05	8.00	10.50		14	26.00	28.50		24	46.00	48.50		34	66.00	68.50	
06	10.00	12.50		15	28.00	30.50		25	48.00	50.50		35	68.00	70.50	
07	12.00	14.50		16	30.00	32.50		26	50.00	52.50		36	70.00	72.50	
08	14.00	16.50		17	32.00	34.50		27	52.00	54.50		37	72.00	74.50	
09	16.00	18.50		18	34.00	36.50		28	54.00	56.50		38	74.00	76.50	
10	18.00	20.50		19	36.00	38.50		29	56.00	58.50		39	76.00	78.50	
				20	38.00	40.50		30	58.00	60.50		40	78.00	80.50	

Ordering Information

Standard Packaging : Tube

CSFB2 - R1AC
 Height Option (H)
 No. of Pins per Row
 Standard Plating : Gold Flash
 Selective Plating : Tin : Gold Flash / Tin
 Pin Length (B) : B=2.55 : B=2.70
 For special length requirement Please contact our sales personnel