

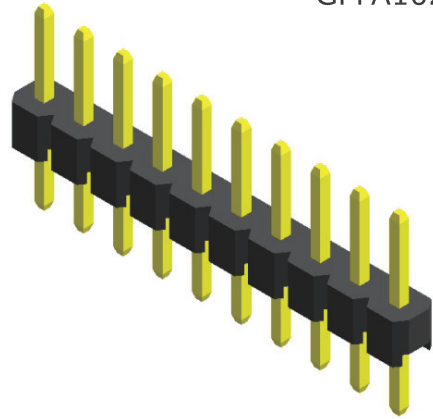
Pin Header

pitch 2.00mm (0.079") | Single row | Dip

GPFA101
GPFA102 Series

Specifications

- Current Rating : 2.0 Ampere
- Insulation Resistance : 1000 MΩ Min
- Dielectric Withstanding : 500V AC
- Contact Resistance : 20 mΩ Max
- Operating Temperature : -40°C to +105°C

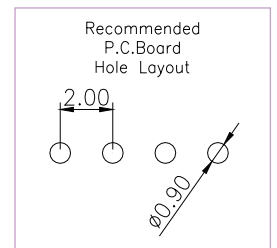
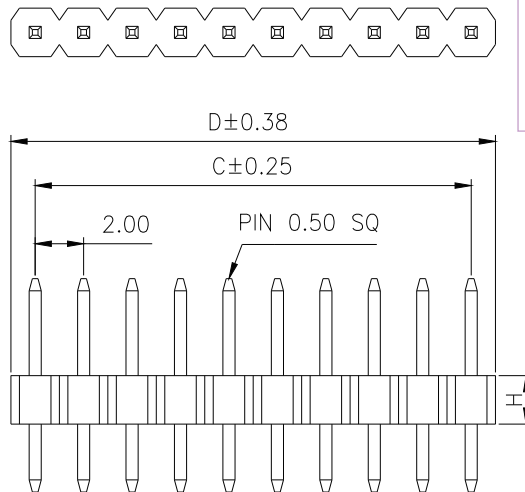
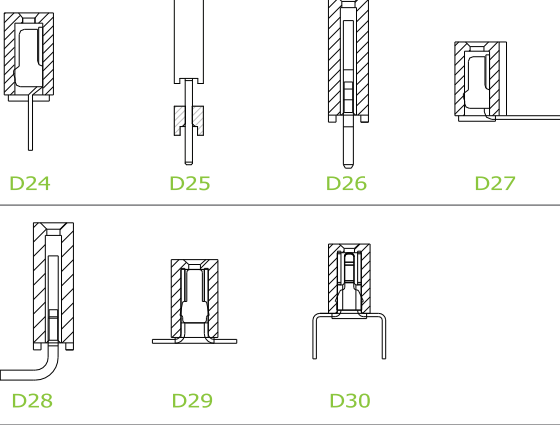
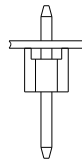


Materials

- Contact Material : Brass
- Insulation Material : High Temperature Thermoplastic, 94V-0 Nylon

All materials must meet Greenconn's requirements for environmental protection.

Mating with



* For Coded Dimension Not Inside The Table, Please Refer To "Ordering Information"

No. of Pins/Row	Dimension Information			No. of Pins/Row	Dimension Information			No. of Pins/Row	Dimension Information			No. of Pins/Row	Dimension Information		
	C	D			C	D			C	D			C	D	
02	2.00	4.00		11	20.00	22.00		21	40.00	42.00		31	60.00	62.00	
03	4.00	6.00		12	22.00	24.00		22	42.00	44.00		32	62.00	64.00	
04	6.00	8.00		13	24.00	26.00		23	44.00	46.00		33	64.00	66.00	
05	8.00	10.00		14	26.00	28.00		24	46.00	48.00		34	66.00	68.00	
06	10.00	12.00		15	28.00	30.00		25	48.00	50.00		35	68.00	70.00	
07	12.00	14.00		16	30.00	32.00		26	50.00	52.00		36	70.00	72.00	
08	14.00	16.00		17	32.00	34.00		27	52.00	54.00		37	72.00	74.00	
09	16.00	18.00		18	34.00	36.00		28	54.00	56.00		38	74.00	76.00	
10	18.00	20.00		19	36.00	38.00		29	56.00	58.00		39	76.00	78.00	
				20	38.00	40.00		30	58.00	60.00		40	78.00	80.00	

Ordering Information

Standard Packaging : Box

GPFA1	XX	-	XX	XX	X	XXX	R1BA
	Height Option (H)		No. of Pins per Row	Standard Plating	A	Pin Length (A/B)	
	01 : H=2.00		02	02 : Gold Flash		001 : A=4.00 / B=2.80	
	02 : H=1.50		40		GPFA101...A	001 : A=4.00 / B=2.80	
				Selective Plating	GPFA102...A		
				01 : Tin			For special length requirement Please contact our sales personnel
				05 : Gold Flash / Tin			