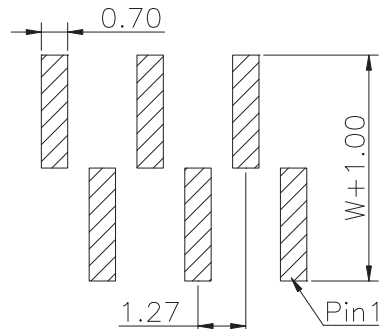
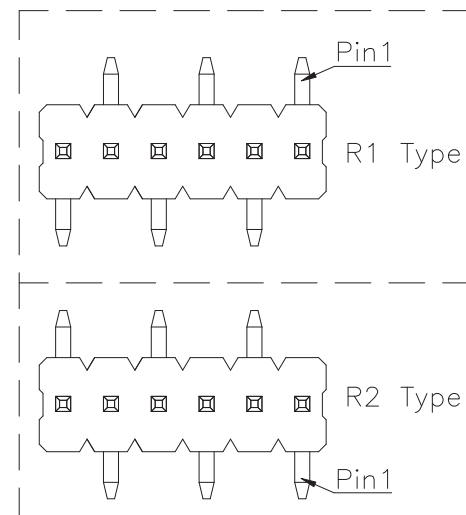
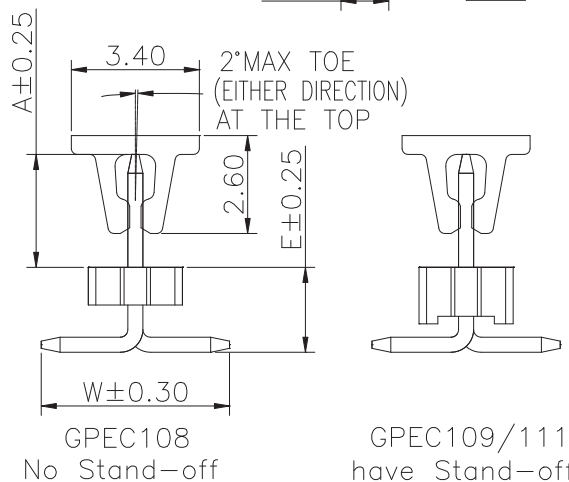
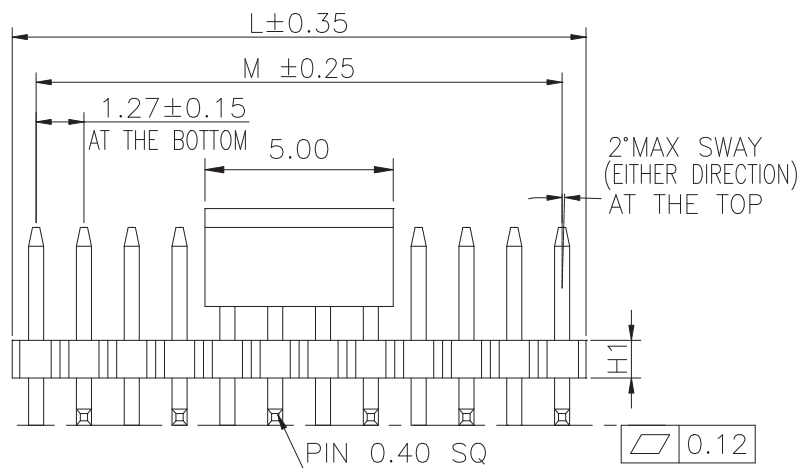


Recommended P.C.Board
Layout
(Tolerance:±0.05)



Specifications
Current Rating:1.0Amp
Insulation Resistance:1000MΩMin.
Dielectric Withstanding Voltage:300VAC
Contact Resistance:20mΩMax.
Operating Temperature:-40°C to +105°C
Materials
Contact Material:Brass
Insulator Material:High Temperature
Thermoplastic, UL 94V-0 LCP
or the equivalent material
All materials must meet Greenconn
hazardous substances control standards.



No. of PIN/ROW	Dimension Information	
	L	M
02	2.54	1.27
03	3.81	2.54
04	5.08	3.81
05	6.35	5.08
06	7.62	6.35
07	8.89	7.62
08	10.16	8.89
09	11.43	10.16
10	12.70	11.43
11	13.97	12.70
12	15.24	13.97
13	16.51	15.24
14	17.78	16.51
15	19.05	17.78
16	20.32	19.05
17	21.59	20.32
18	22.86	21.59
19	24.13	22.86
20	25.40	24.13
21	26.67	25.40
22	27.94	26.67
23	29.21	27.94
24	30.48	29.21
25	31.75	30.48
26	33.02	31.75
27	34.29	33.02
28	35.56	34.29
29	36.83	35.56
30	38.10	36.83
31	39.37	38.10
32	40.64	39.37
33	41.91	40.64

Ordering Information

G PEC1XX - XX XX A XXX C 1 Z X

Plastic specifications
1=Single row
2=Dual row
3=Tripe row
4=Quadruple

Water code
08:H1=1.00
09:H1=1.50
11:H1=2.00

No. of Pins per Row
02~33

Positioning column information
A=No locating post
B=Round post
C=Square post

Plating code
01=Tin
02=Gold Flash
05=Gold Flash/Tin
22=Matte Tin

Pin length
See the drawing

Insulator Material
R=Nylon(Halogen Free)
C=LCP

Color
1=Black
2=White
3=Yellow
E=Beige

Contact Material
A/S/K/T=Phosphor Bronze
B/Z/H/W=Brass

Packing code
A=Box
B=Tray
C=Tube
D=Tape&Reel
E=Cap+Tube
F=Cap+Tape&Reel
G=Acetate Tape+Tube
H=Acetate Tape+Tape&Reel

格稜股份有限公司
Greenconn Corporation

REV. 01 UNIT. mm SCALE. 5:1 PAGE. 1/1

GENERAL TOLERANCE	
X.*±5.0°	X.±0.30
.X*±3.0°	.X±0.25
.XX*±2.0°	.XX±0.15
.XXX*±1.0°	.XXX±0.10

DWG. NO.
GPEC108-CAXX

PART NO.
GPEC108-XX XX AXXXC1ZX

TITLE.
1.27 PIN HEADER
SINGLE ROW SMT TYPE
CONNECTOR