

REVISION RECORD

REV	ECN	DESCRIPTION	DRFT	DATE
-----	-----	-------------	------	------

NOTES1:

- UL Standard
- 1. Rated Voltage/Current : 300V / 8A
- 2. Withstanding Voltage : AC1600V/1Min.
- 3. Wire Range : 28~16AWG

IEC Standard

1. Pollution Degree	3
Overvoltage Category	II
Rate Impulse Voltage(KV)	2.5KV
Rate Voltage(V)	250V
Rate Current(A)	12A

- 2. Wire Range : 0.2~1.5mm²

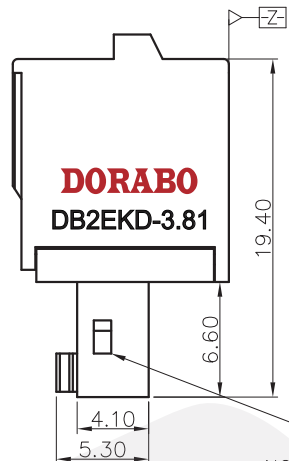
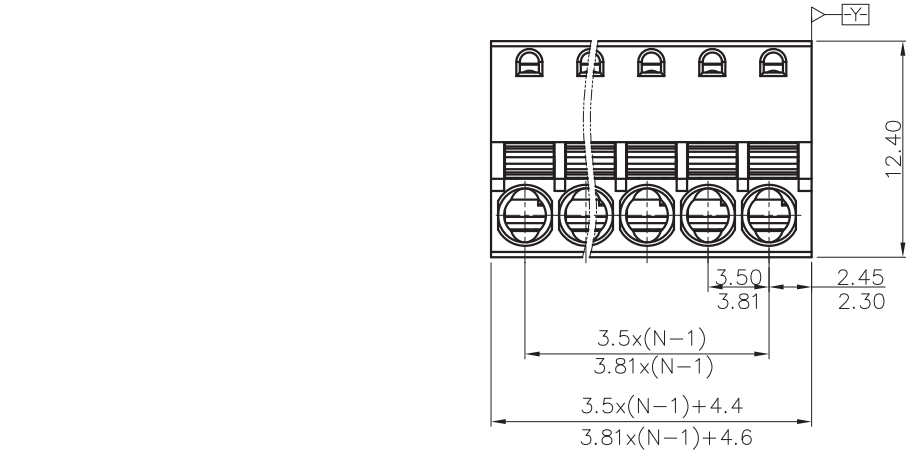
NOTES2:

- 1. Dimension shall be interpreted per ASME Y14.5-2009
- 2. Pitch : 3.50/3.81mm, Poles : N=2-24P
- 3. Stripping length : 8.0mm
- 4. Operating temperature: -40°C~+105°C
- 5. Undimensioned Tolerances:

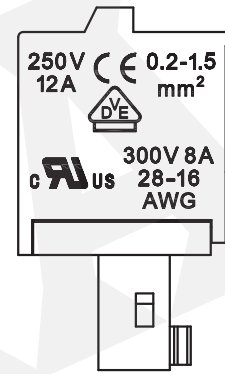
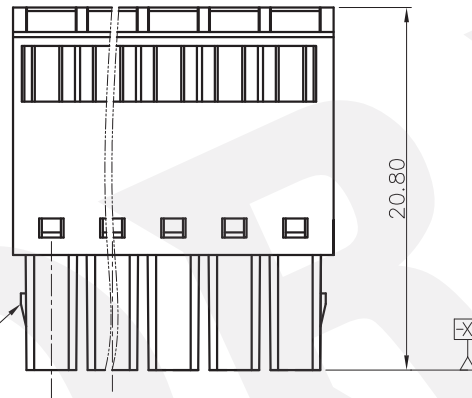
Pitch range in mm		Nominal dimension range in mm							
TO	TO	TO	TO	TO	TO	TO	TO	0.1/10	±2'
6	10	10	24	30	60	100	150		
±0.15	±0.20	±0.30	±0.30	±0.50	±0.70	±1.00	±1.30		

- 6. RoHS Compliance

H
G
F
E
D
C
B
A



NOTE: 2-6P With drill hole, 7-24P without drill hole



DB2EKD - 3.81 - XXP - 1Y - 00A (H)

(Series No.) (Pitch) (Poles) (Single Pitch) (Color): 1.(Grey) 2.(Blue) 3.(Black) 4.(Green) 5.(Orange) 6.(Red) 7.(Transparent) 8.(Yellow) 9.(White)

A

DETACHED LISTS	PART NO.: /	DORABO 慈溪市地博电子有限公司 CIXI DORABO ELECTRONICS CO.,LTD		
	APPD: /	NAME: DB2EKD-3.81-XXP-1Y-00A(H)		
	CHKD: /	TITLE: CUSTOMER DRAWING		REV DO
	DRFT: /	DRAWING NO.: /		SHEET 1/1
THIRD ANGLE PROJECTION		MM (INCH)		DO NOT SCALE DRAWING SCALE 1:1

H
G
F
E
D
C
B
A