

Solar system - RAD-SOL-SET-24-60



5605942

<https://www.phoenixcontact.com/us/products/5605942>

Please be informed that the data shown in this PDF document is generated from our Online Catalog. Please find the complete data in the user documentation. Our General Terms of Use for Downloads are valid.



Complete solar system, consisting of solar panel and control cabinet with charge controller, solar battery, surge protection, fuses and mounting material.

Your advantages

- Optional wall or mast mounting
- Prewired control cabinet including charge controller, solar battery, surge protection, and fuses

Commercial Data

| | |
|--------------------------------------|--------------------------------|
| Item number | 5605942 |
| Packing unit | 1 pc |
| Minimum order quantity | 1 pc |
| Note | Made to Order (non-returnable) |
| Sales Key | 00 |
| Product Key | DNC6P1 |
| Catalog Page | Page 681 (IF-2011) |
| GTIN | 4046356148955 |
| Weight per Piece (including packing) | 444.44 g |
| Weight per Piece (excluding packing) | 444.44 g |
| Customs tariff number | 85013100 |
| Country of origin | DE |

Solar system - RAD-SOL-SET-24-60

5605942

<https://www.phoenixcontact.com/us/products/5605942>

Set consists of

Solar battery

Solar battery - RAD-SOL-BAT-12- 80 - 2885498

<https://www.phoenixcontact.com/us/products/2885498>



12 V/100 Ah gel solar battery, designed for use in the 200 Wp RAD-SOL-SET-24-200 solar system. Two batteries are required to operate the solar system.

Charge controller

Charge controller - RAD-SOL-CHG-24- 10 - 2885443

<https://www.phoenixcontact.com/us/products/2885443>



Fully automatic charge controller with electronic protection functions, for photovoltaic systems with a system voltage of 24 V.

Solar system - RAD-SOL-SET-24-60



5605942

<https://www.phoenixcontact.com/us/products/5605942>

Solar module

Solar module - RAD-SOL-PAN-12- 50 - 2885456

<https://www.phoenixcontact.com/us/products/2885456>

12 V/50 Wp solar module, designed for use in the RAD-SOL-SET-24-100 or RAD-SOL-SET-24-200 solar system. Two or four modules are required to operate the solar system.



Control cabinet

Control cabinet - RAD-SOL-BOX-24V - 2917353

<https://www.phoenixcontact.com/us/products/2917353>

Pre-wired aluminum cabinet for use outdoors, with charger, surge protection and fuses. Designed for use in the solar set RAD-SOL-SET-24-...



Solar system - RAD-SOL-SET-24-60

5605942

<https://www.phoenixcontact.com/us/products/5605942>

Solar panel bracket

Solar panel bracket - RAD-SOL-MKT-200 - 2917337

<https://www.phoenixcontact.com/us/products/2917337>

Solar panel bracket for mounting 4 x RAD-SOL-PAN-12-50 solar panels on the wall or on a mast



Solar system - RAD-SOL-SET-24-60



5605942

<https://www.phoenixcontact.com/us/products/5605942>

Technical Data

Product properties

| | |
|--------------|-----------|
| Product type | Solar set |
|--------------|-----------|

Electrical properties

| | |
|-------------------|---------|
| Operating voltage | 24 V DC |
|-------------------|---------|

Dimensions

| | |
|--------|----------|
| Width | 489 mm |
| Height | 822.4 mm |
| Depth | 337.7 mm |

Environmental and real-life conditions

Ambient conditions

| | |
|---|------------------|
| Ambient temperature (operation) | -30 °C ... 60 °C |
| Ambient temperature (storage/transport) | -30 °C ... 60 °C |

Solar system - RAD-SOL-SET-24-60

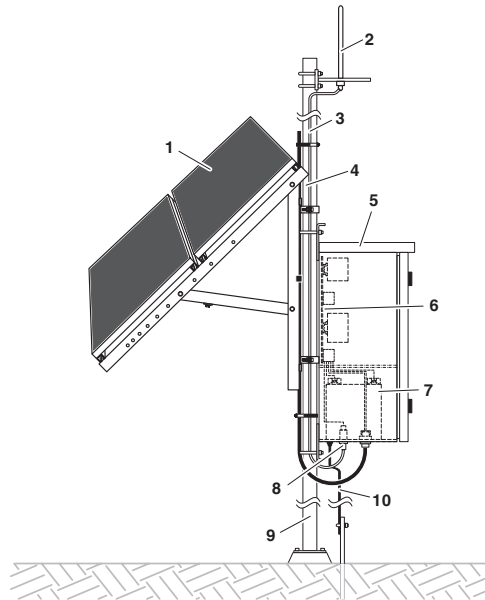
5605942

<https://www.phoenixcontact.com/us/products/5605942>



Drawings

Schematic diagram



- 1 2 solar panels (conn. in series)
- 2 Antenna
- 3 Antenna cable
- 4 Flexible protective tubing
- 5 Control cabinet
- 6 Control cabinet electronics
- 7 Batteries
- 8 Surge protection for antenna cable and control cabinet electronics
- 9 Mast (e.g. signpost with 76 mm diameter)
- 10 Protective earth (PE), grounding cable

Example for a typical assembly of a solar system

Solar system - RAD-SOL-SET-24-60



5605942

<https://www.phoenixcontact.com/us/products/5605942>

Accessories

Charge controller

Charge controller - RAD-SOL-CHG-24- 10 - 2885443

<https://www.phoenixcontact.com/us/products/2885443>



Fully automatic charge controller with electronic protection functions, for photovoltaic systems with a system voltage of 24 V.

Phoenix Contact 2022 © - all rights reserved

<https://www.phoenixcontact.com>

Phoenix Contact USA
586 Fulling Mill Road
Middletown, PA 17057, United States
(+717) 944-1300
info@phoenixcon.com