

CATEGORY	DESCRIPTION	P/N #
CONNECTOR	RJ45 8P8C 全塑1X1	MJ5388-X011-HRN1

REV.	ECN NO	DESCRIPTION	REVISED	DATE
A01	———	New Release	XSY	2015.07.08
A02	———	更改脚柱尺寸	XSY	2017.11.17
A03	ECN19061502	更改脚柱尺寸	YST	2019.06.15

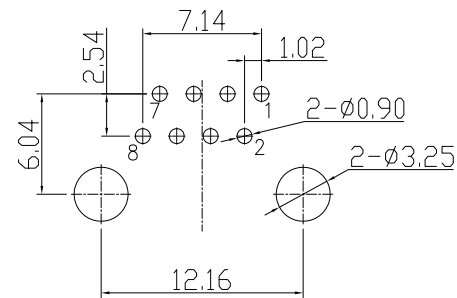
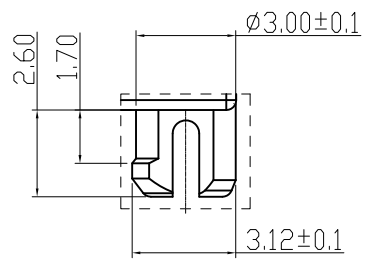
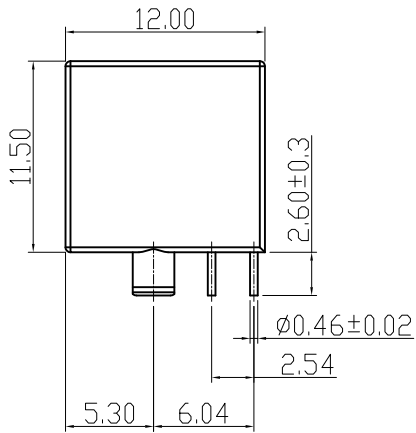
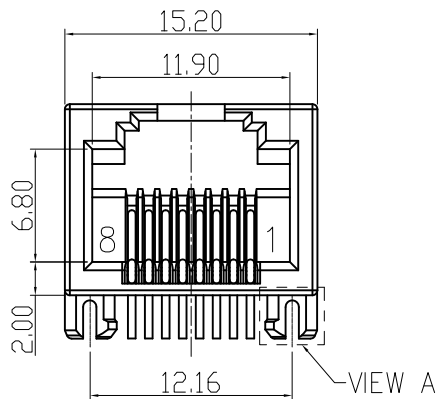
MJ5388-X011-HRN1

Table 1

X	Housing Color
B	Black
U	Blue 2143C
Y	Yellow 115C
G	Grey 7544C
W	White

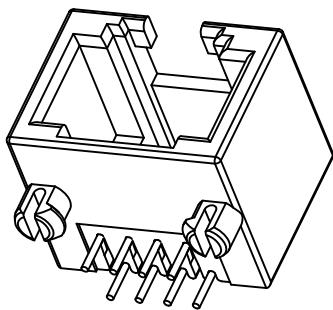
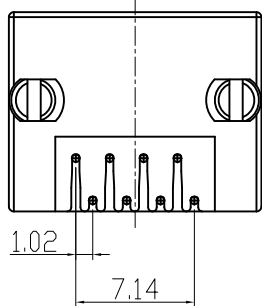
SPECIFICATION

- VOLTAGE RATING: 150 VAC RMS.
- CURRENT RATING: 1.5 AMP
- CONTACT RESISTANCE: 40 mΩ MAX
- INSULATION RESISTANCE: 500MΩ MIN.
- WITHSTAND VOLTAGE: AC1000V RMS 60s.
- OPERATING TEMPERATURE: -40°C~+80°C



Recommend PCB Layout
(Jack Top View)
Tolerance: ±0.05mm
Recommend PCB Thickness: 1.6mm

VIEW A
SCALE 2:1



 东莞市合陵电子有限公司
DongGuan HeLing Electronic Co.,LTD

UNLESS OTHERWISE SPECIFIED TOLERANCES	SCALE:1/1	UNIT: mm	DWG.NO:
	SIZE: A3	PAGE:1 OF 1	
DECIMALS: X :±0.5 X.X :±0.3 X.XX :±0.2	ANGLES: X :±2° X.X :±1°	APPROVED BY DICK	CHECKED BY XSY
Remark		PREPARED BY YST	CUSTOMER COPY

b	TERMINAL	8	PHOSPHOR BRONZE	∅0.46mm	G/F	
a	HOUSING	1	PBT UL94V-0		SEE TABLE 1	
NO.	PART NAME	Q'TY	MATERIAL	PLATING & COLOR	Remark	