

Sensor/actuator box - SACB-6/12-10,0HPUR



1695870

<https://www.phoenixcontact.com/us/products/1695870>

Please be informed that the data shown in this PDF document is generated from our Online Catalog. Please find the complete data in the user documentation. Our General Terms of Use for Downloads are valid.



Sensor/actuator box, connection method: M12 socket Plastic, number of slots: 6, number of positions: 5, coding: A - standard, slot assignment: Double, status display: No, Universal; master cable connection: Fixed connection 180°, PUR halogen free, cable length: 10 m, shielding: no

Your advantages

- Safety in the field, thanks to robust housing and high degree of protection
- Save space: distributor box with double occupancy for two sensors in one slot

Commercial Data

Item number	1695870
Packing unit	1 pc
Minimum order quantity	1 pc
Note	Made to Order (non-returnable)
Sales Key	00
Product Key	BF3CBA
Catalog Page	Page 28 (PC-2002)
GTIN	4017918615550
Weight per Piece (including packing)	1,591.4 g
Weight per Piece (excluding packing)	1,591.4 g
Customs tariff number	85444290
Country of origin	PL

Sensor/actuator box - SACB-6/12-10,0HPUR



1695870

<https://www.phoenixcontact.com/us/products/1695870>

Technical Data

Product properties

Product type	Distributor boxes with M8 to M12 slots
Number of positions	5
Number of slots	6
Coding	A - standard

Material specifications

Flammability rating according to UL 94	V0
Material of threaded sleeve	PA
Contact material	CuSn
Contact surface material	Ni/Au
Contact carrier material	PA
O-ring material	NBR
Housing material	PA

Dimensions

Dimensional drawing	
Width	54 mm
Height	19 mm
Length	129 mm

Connection data

Pin assignment

Slot/position = Wire color or connection	1 / 4 (A) = WH
	1 / 2 (B) = GYPK
	2 / 4 (A) = GN
	2 / 2 (B) = RDBU
	3 / 4 (A) = YE
	3 / 2 (B) = WHGN
	4 / 4 (A) = GY
	4 / 2 (B) = BNGN
	5 / 4 (A) = PK
	5 / 2 (B) = WHYE
	6 / 4 (A) = RD
	6 / 2 (B) = YEBN

Sensor/actuator box - SACB-6/12-10,0HPUR



1695870

<https://www.phoenixcontact.com/us/products/1695870>

	1-6 / 1 (+ 120 V) = BN
	1-6 / 3 (0 V) = BU
	1-6 / 5 (PE) = GNYE

LED signaling

Status display present	No
------------------------	----

Electrical properties

Max. operating voltage U_{max}	135 V
Nominal voltage U_N	120 V
Rated current, total	12 A
Max. current carrying capacity per path	2 A
Current carrying capacity per slot	4 A

Cable / line

Cable length	10 m
Number of positions	15
Shielded	no
Conductor structure signal line	64x 0.10 mm
AWG signal line	20
Conductor cross section	12x 0.5 mm ² (Signal) 3x 0.5 mm ² (Power)
External cable diameter	10.4 mm ±0.3 mm
Outer sheath, material	PUR
External sheath, color	black RAL 9005
Conductor material	Bare Cu litz wires
Overall twist	Wires twisted in layers
Nominal voltage, cable	300 V
Test voltage	2000 V
Max. bending cycles	2000000
Ambient temperature (operation)	-40 °C ... 90 °C (cable, fixed installation) -5 °C ... 80 °C (Cable, flexible installation)
Cable type	Master cable suitable for flexible cable conduit
Sensor/actuator connection system	M12 socket
Connection method	Fixed connection
Conductor cross section signal conductor	12x 0.5 mm ²
Conductor structure signal line	64x 0.10 mm
Conductor cross section voltage supply	3x 1 mm ²
Conductor structure, voltage supply	128x 0.10 mm
Number of bending cycles	1500000
Traversing rate	2 m/s
Traversing path	2 m
Tightening torque slot sensor/actuator cable	0.4 Nm
Ambient temperature (operation)	-40 °C ... 90 °C (for fixed installation)

Sensor/actuator box - SACB-6/12-10,0HPUR



1695870

<https://www.phoenixcontact.com/us/products/1695870>

	-5 °C ... 80 °C (for flexible installation)
--	---

Ambient conditions

Degree of protection	IP65
	IP67
Ambient temperature (operation)	-25 °C ... 75 °C

Sensor/actuator box - SACB-6/12-10,0HPUR

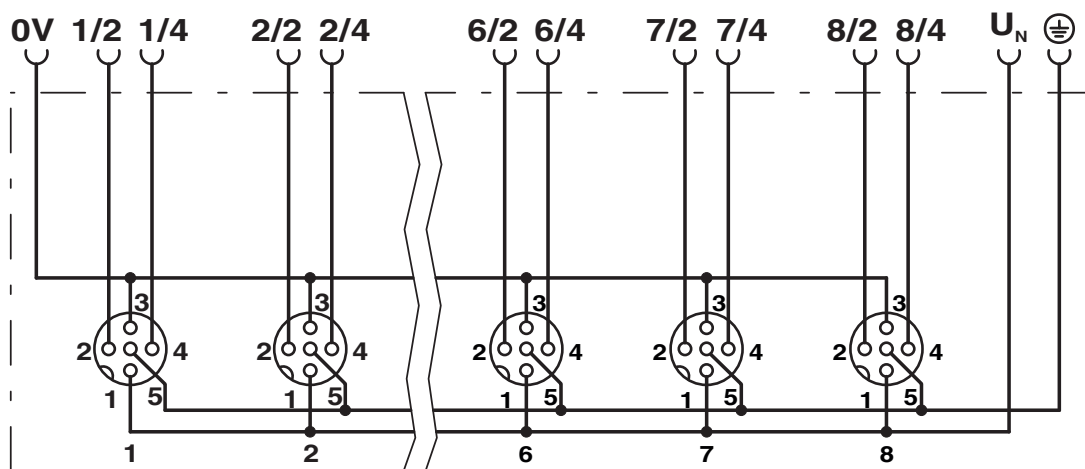


1695870

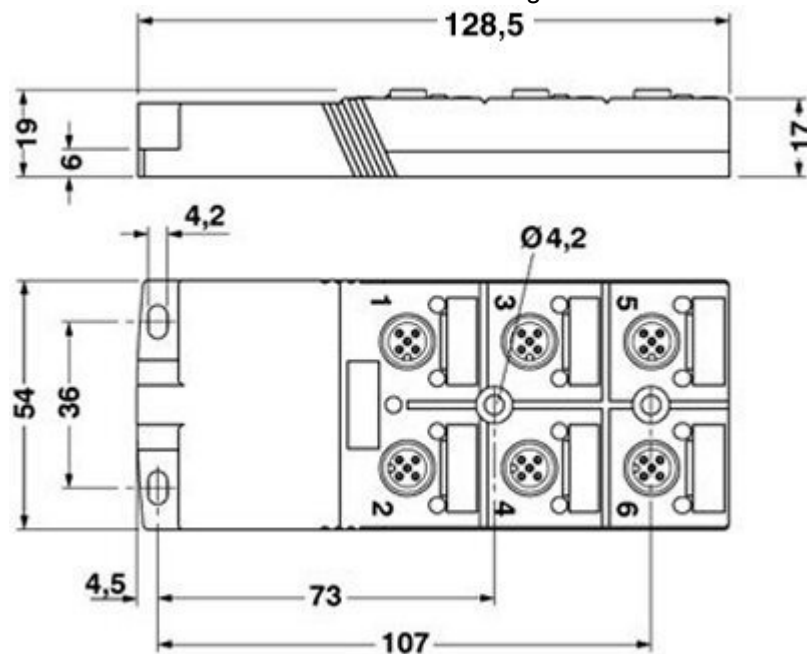
<https://www.phoenixcontact.com/us/products/1695870>

Drawings

Circuit diagram



Dimensional drawing



Sensor/actuator box - SACB-6/12-10,0HPUR



1695870

<https://www.phoenixcontact.com/us/products/1695870>

Schematic diagram



M12 slot, socket, 5-pos.

Sensor/actuator box - SACB-6/12-10,0HPUR



1695870

<https://www.phoenixcontact.com/us/products/1695870>

Classifications

ECLASS

ECLASS-9.0	27440108
ECLASS-11.0	27440108

Sensor/actuator box - SACB-6/12-10,0HPUR



1695870

<https://www.phoenixcontact.com/us/products/1695870>

Accessories

Screw plug

Screw plug - PROT-M12 - 1680539

<https://www.phoenixcontact.com/us/products/1680539>



An M12 screw plug for the unoccupied M12 sockets of the sensor/actuator cable, boxes and flush-type connectors

Phoenix Contact 2022 © - all rights reserved
<https://www.phoenixcontact.com>

Phoenix Contact USA
586 Fulling Mill Road
Middletown, PA 17057, United States
(+717) 944-1300
info@phoenixcon.com