

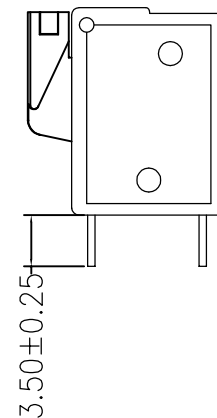
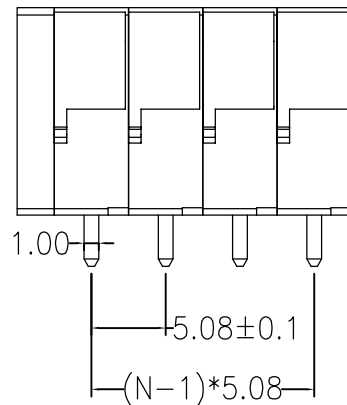
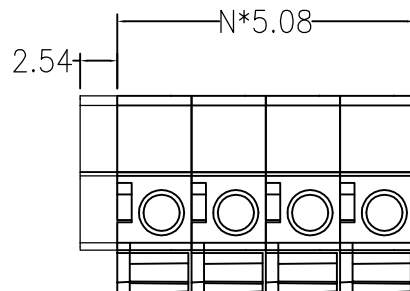
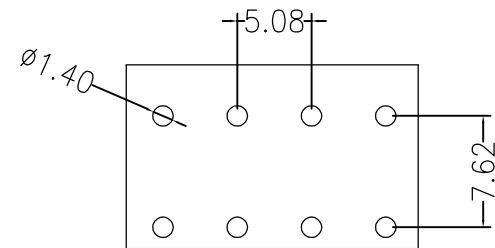
HSF RoHS

SPECIFICATIONS

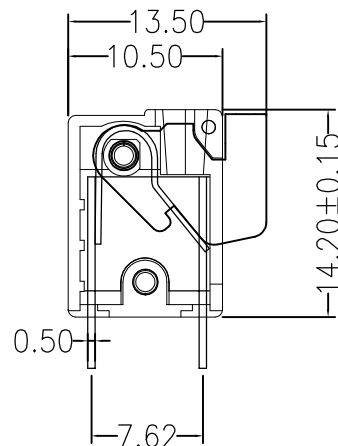
Rated(额定参数): 300V,10A
 Dielectric strength(抗电强度): AC2000V/1 Minute
 Insulation Resistance(绝缘电阻):1000MΩ Min
 Contact Resistance(接触电阻):20mΩ Max
 Wire Range(线径):16~22AWG
 Strip length(剥线长度):10mm
 Temp. range(操作温度): -40℃~+105℃
 MAX Soldering(瞬时温度):+250℃,5s

Housing Material(塑件): PA66 (UL94 V-0)
 Contact(端子): Brass, Tin plating(黄铜镀锡)
 Reed(弹片): Stainless steel (不锈钢)

Recommended P.C.B Layout (Top Side)



PITCH RANGE IN MM			NOMINAL DIMENSION RANGE IN MM				
TO	OVER	OVER	TO	OVER	OVER	OVER	OVER
6	10	10	30	60	100	150	150
10	24	24	60	100	150	150	150
±0.10	±0.15	±0.25	±0.30	±0.30	±0.50	±0.70	±1.00



Ordering Information

JL 142V - 508 XX G X 1

Pitch 508=5.08PH
 No.of pins 1P-XXP
 Housing Color B=Black G=Green U=Blue R=Red W=White Y=Yellow O=Orange E=Grey
 Packing 0=Pe bag T=Tube A=Tray

OPERATION		DRAW	BEN	17.01.04	SCALE	FIT
X.X	±0.30	CHECK			UNIT	mm
X.XX	±0.20				SIZE	A4
X.XXX	±0.10				SHEET	1/1
Angle	±3°	APPROVE			PROJ.	
DIM	TOL					

JILN 深圳市锦凌电子有限公司
 SHENZHEN JINLING ELECTRONIC CO.,LTD
 Tel: 86-755-2997-5806/5802 Fax: 86-755-2997-5992

A0	2017.01.04	NEW DRAWING	
REV	DATE	MODIFICATION DESCRIPTION	CHANGE

PART NO.	JL142V-508XXGX1
TITLE:	5.08mm PCB SPRING TERMINAL BOLCKS